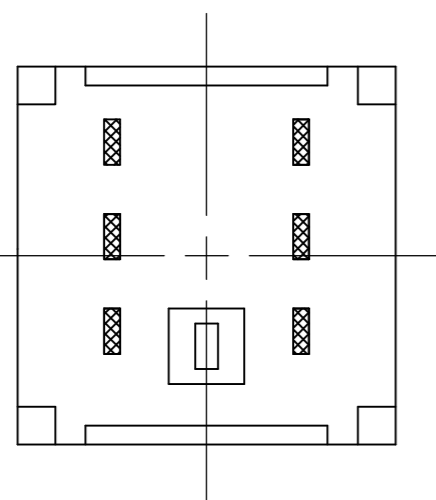
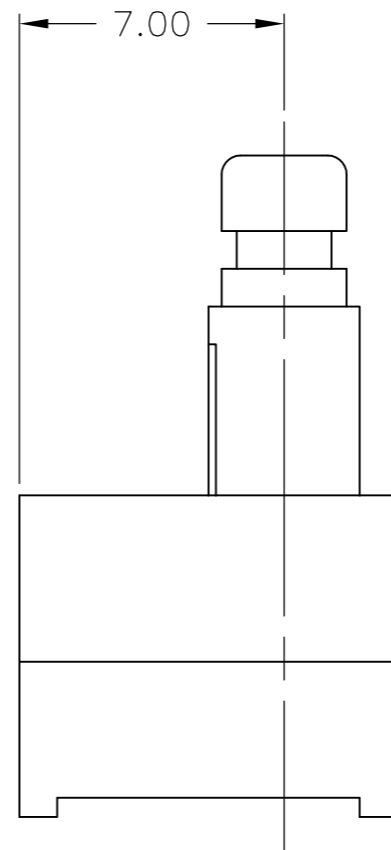
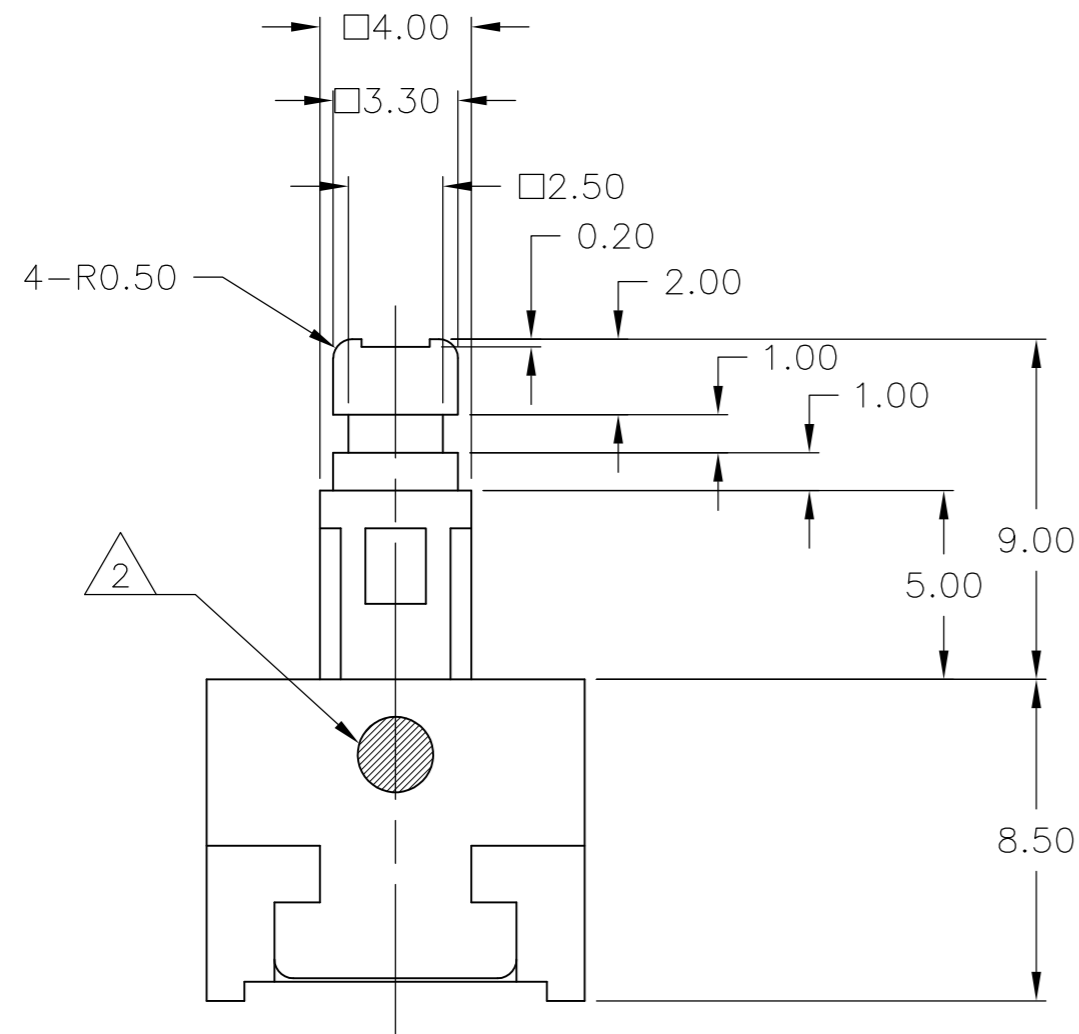
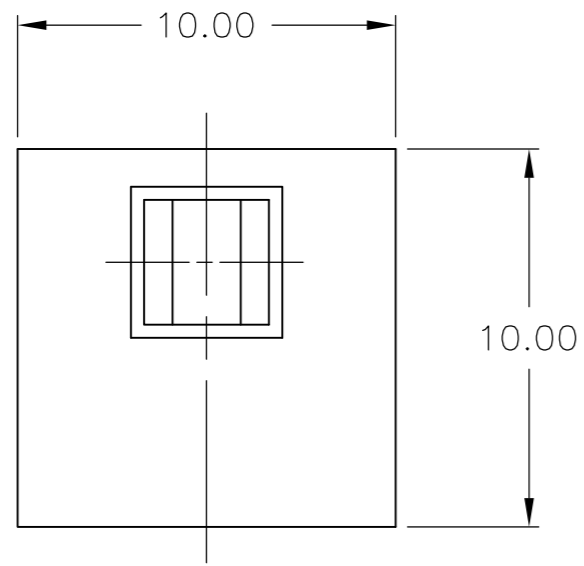


THIS DRAWING IS UNPUBLISHED. RELEASED FOR PUBLICATION  
 © COPYRIGHT - By - ALL RIGHTS RESERVED.

LOC		DIST		REVISIONS			
P	LTR	DESCRIPTION		DATE	DWN	APVD	
B1		REVISED PER ECO-14-017720		25NOV2014	NK	RH	



SPECIFICATIONS:

BREAK BEFORE MAKE (NON-SHORTING) CONFIGURATION  
 MAX CONTACT RATING: 100 MILLIAMPS @ 30V DC

OPERATING FORCE: 200±50 GRAMS-FORCE  
 LIFE EXPECTANCY: 100,000 CYCLES

CASE: PBT (UL 95HB) BLACK  
 COVER: NYLON 66 (UL 94HB) BLACK  
 ACTUATOR BUTTON: THERMOPLASTIC (UL 94 HB) BLUE

- 1 100,000 CYCLES ACTUATION FORCE DEVIATION <10% OF ORIGINAL STARTING.
- 2 WHITE PAINT DOT APPROXIMATE SIZE 2.00mm POSITION APPROXIMATE AS SHOWN.

2	200±50gf 1	SELF LOCK	FULL: 2.5 LOCK: 1.5	BLUE	1825491-3
-	200±50gf 1	SELF LOCK	FULL: 2.5 LOCK: 1.5	BLUE	1825491-1
MARKING	OPERATING FORCE	OPERATING MODE	TRAVEL	PUSH COLOR	PART NUMBER

THIS DRAWING IS A CONTROLLED DOCUMENT.		DWN M.BINNER 06JUL2006	TE Connectivity		
DIMENSIONS: mm		CHK M.WILBOURN 06JUL06			
TOLERANCES UNLESS OTHERWISE SPECIFIED:		APVD M.WILBOURN 06JUL06	NAME SWITCH LATCHING, UNPOPULATED		
0 PLC ± - 1 PLC ± 0.30 2 PLC ± - 3 PLC ± - 4 PLC ± - ANGLES ± -		PRODUCT SPEC -	SIZE A2	CAGE CODE 00779	DRAWING NO C=1825491
MATERIAL -		FINISH -	WEIGHT -	SCALE 5:1	SHEET 1 of 1
CUSTOMER DRAWING			RESTRICTED TO -	REV B1	