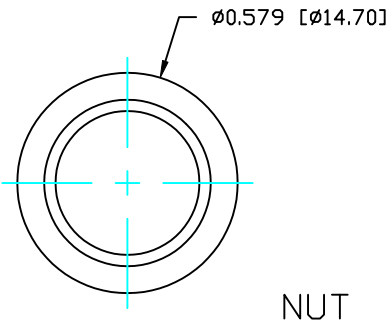


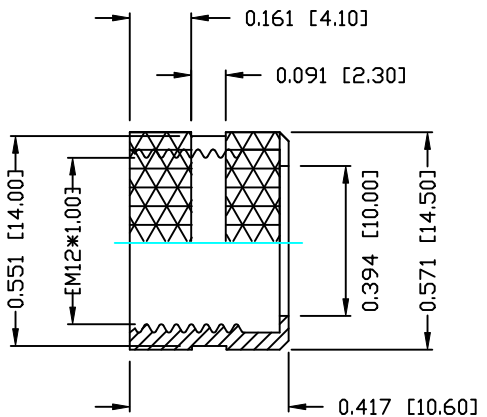
DESCRIPTION: M12 FEMALE - CABLE MOUNT - SOLDER CUP - 4 POS.

NOTE:

|                        |   |
|------------------------|---|
| MATERIAL               |   |
| HOUSING:               | PBT UL94V-0, BLACK  |
| CONTACT:               | BRASS   |
| NUT:                   | BRASS   |
| SHELL:                 | BRASS   |
| O-RING:                | EDMP  |
| FINISH                 |   |
| CONTACT:               | GOLD PLATED<br>OVER 50µ" NICKEL<br>NICKEL PLATED<br>NICKEL PLATED |
| ELECTRICAL             |   |
| RATED CURRENT:         | 5A  |
| RATED VOLTAGE:         | 125V  |
| INSULATION RESISTANCE: | 100 mΩhms MIN.  |
| CONTACT RESISTANCE:    | 10 MΩhms MAX.   |
| WATER PROOF:           | IP67  |
| ENVIRONMENT            |   |
| OPERATION TEMPERATURE: | -40°C TO +85°C  |
| WIRE GAUGE:            | 24-28 AWG   |

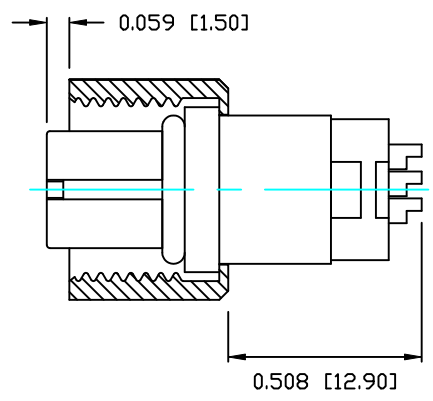
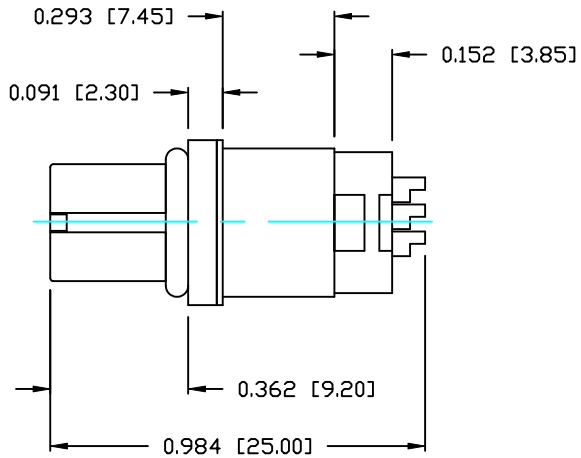
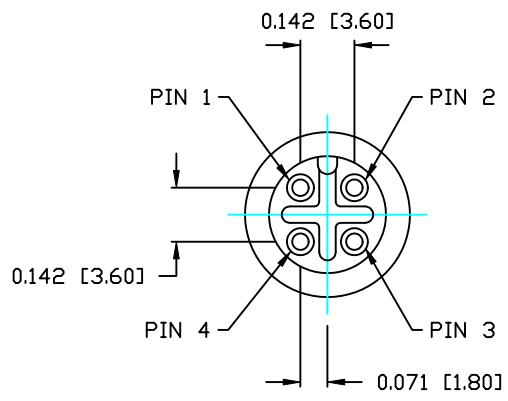


NUT



858-004-203RLSY

1 = GOLD FLASH  
4 = 10µ" GOLD



RoHS COMPLIANT

DO NOT SCALE FROM DRAWING



THESE DRAWINGS AND SPECIFICATIONS ARE THE PROPERTY OF NorComp AND SHALL NOT BE REPRODUCED, COPIED OR USED AS THE BASIS FOR THE MANUFACTURE OR SALE OF APPARATUS WITHOUT WRITTEN PERMISSION.

|          |           |       |          |
|----------|-----------|-------|----------|
| DRAWN:   | M. SIGMON | DATE: | 03-07-16 |
| CHECKED: |           | DATE: |          |

NorComp

|         |                 |       |   |    |   |     |   |
|---------|-----------------|-------|---|----|---|-----|---|
| SCALE:  | N.T.S.          | SHEET | 1 | OF | 1 | REV | 1 |
| DWG NO. | 858-004-203RLSY |       |   |    |   |     |   |