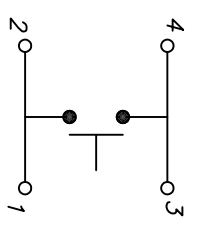
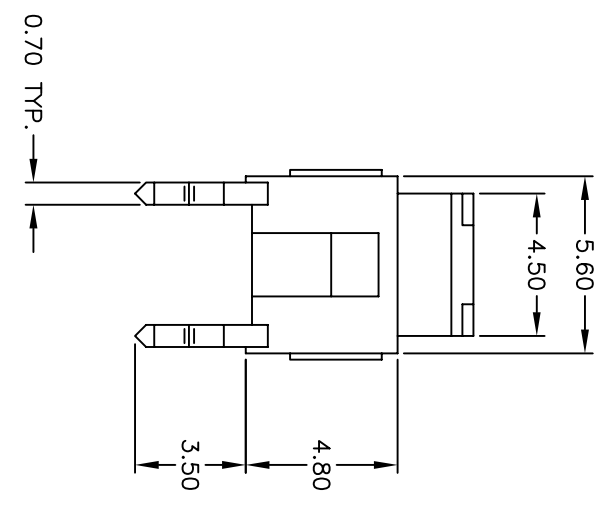
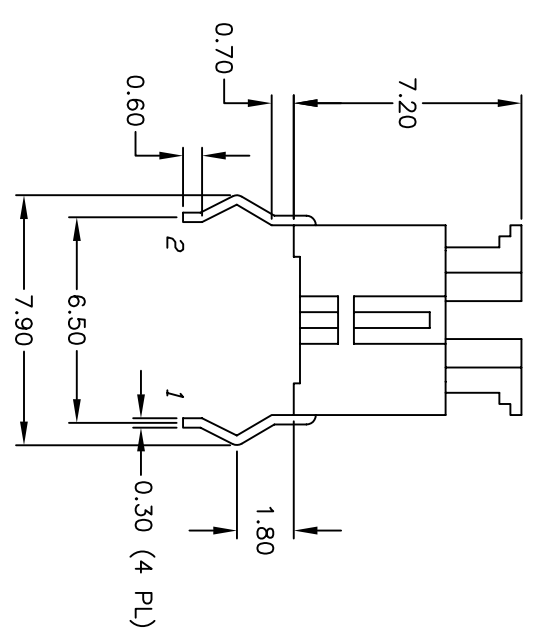


RECOMMENDED P.C.B. LAYOUT



CIRCUIT: SPST

CONTACT CONFIGURATION



- NOTES:
1. ALL DIMENSIONS IN MM
 2. GENERAL TOLERANCE: X.X=±0.4
X.XX=±0.25
 3. RATING: 50mA, 12VDC
 4. CONTACT MATERIAL: Silver
 5. TRAVEL: 0.25 +0.2/0.1mm
 6. OPERATING FORCE: 160±50gf
 7. CONTACT RESISTANCE: 100mΩ—0hms Max
 8. 2002/95/EC (ROHS) COMPLIANT

REV.	ECN NO.	DESCRIPTION	DATE	CHKD
D	15281	REV. DESCRIPTION, ROHS NOTE	9/14/05	PH
C	11324	REVISED PART DESCRIPTION	7/20/01	CJB

REV.	ECN NO.	DESCRIPTION	DATE	CHKD
D	15281	REV. DESCRIPTION, ROHS NOTE	9/14/05	PH
C	11324	REVISED PART DESCRIPTION	7/20/01	CJB



TL1240NQ

SCALE	DATE	DR	DWG	REV
4:1	7/30/01	CJB	P010330	D

THE INFORMATION CONTAINED IN THIS DOCUMENT IS PROPRIETARY TO E-SWITCH AND IS NOT TO BE COPIED OR TRANSFERRED