

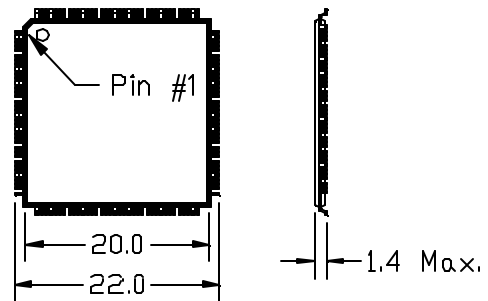
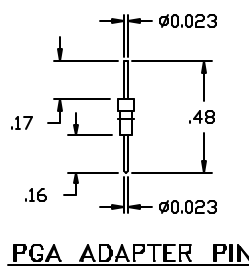
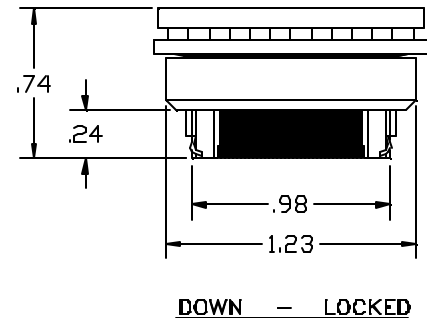
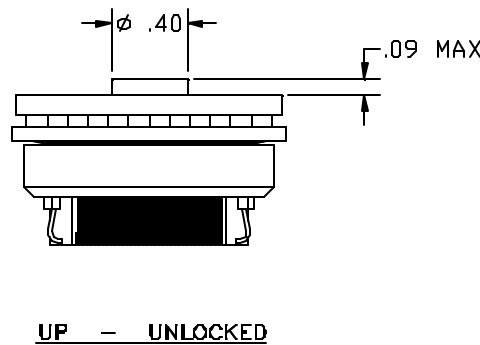
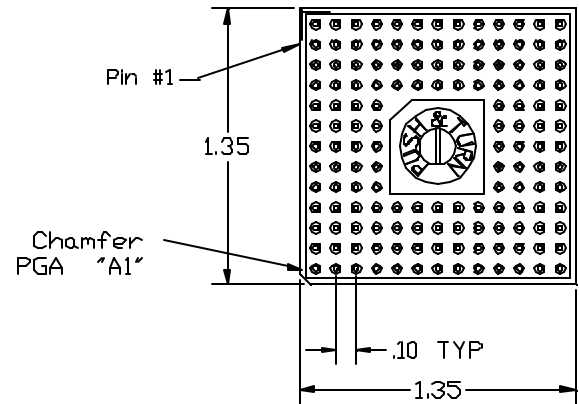
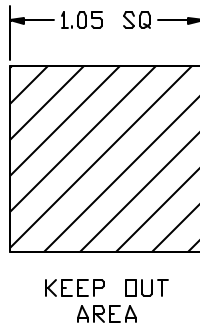
This new TQFP test clip provides the user with an easy means to connect test instruments to fine pitch plastic TQFP and SQFP chip leads.

- Connects to high density plastic TQFP or SQFP surface mounted chip leads.
- Locking feature insures positive retention on the chip in either vertical or horizontal position.
- Gold plated contacts for the chip leads and the connector pins assure noise free connection.

Pomona's TQFP test clips are perfect for system design, field service testing, failure analysis, and for use with logic analyzers.

The patented locking mechanism holds the clip on the device by gripping the chip body at the corners of the chip body. The clip contacts are manufactured by a patented process which assures alignment.

Other clips are available in many common sizes to fit the most popular JEDEC and EIAJ packages now in use. See Pomona's full line catalog for complete details.



144 PIN TQFP (Typical)
(DIMENSIONS IN MM)

All dimensions are in inches. Tolerances (except noted): .xx = ±.02" (.51 mm), .xxx = ±.005" (.127 mm). All specifications are to the latest revisions. Specifications are subject to change without notice. Registered trademarks are the property of their respective companies. Made in USA

PGA Socket Layout with QFP Leads

13	1	143	144	142	137	132	127	122	117	113	111	110	109
12	2	7	140	141	136	131	126	121	116	112	114	115	107
11	3	6	10	139	138	133	128	124	123	119	118	104	108
10	5	4	11	12	135	134	130	129	125	120	103	105	106
9	9	8	15	17						99	102	100	101
8	14	13	16	21						98	97	95	96
7	19	18	20	22						94	92	90	91
6	24	23	25	26						93	88	85	86
5	29	28	30	27						89	87	80	81
4	34	33	31	48	53	57	58	62	63	84	83	76	77
3	36	32	46	47	51	52	56	61	66	67	82	78	75
2	35	43	42	40	44	49	54	59	64	69	68	79	74
1	37	38	39	41	45	50	55	60	65	70	72	71	73
	A	B	C	D	E	F	G	H	J	K	L	M	N

All dimensions are in inches. Tolerances (except noted): .xx = ±.02" (.51 mm), .xxx = ±.005" (.127 mm).

All specifications are to the latest revisions. Specifications are subject to change without notice.

Registered trademarks are the property of their respective companies. Made in USA