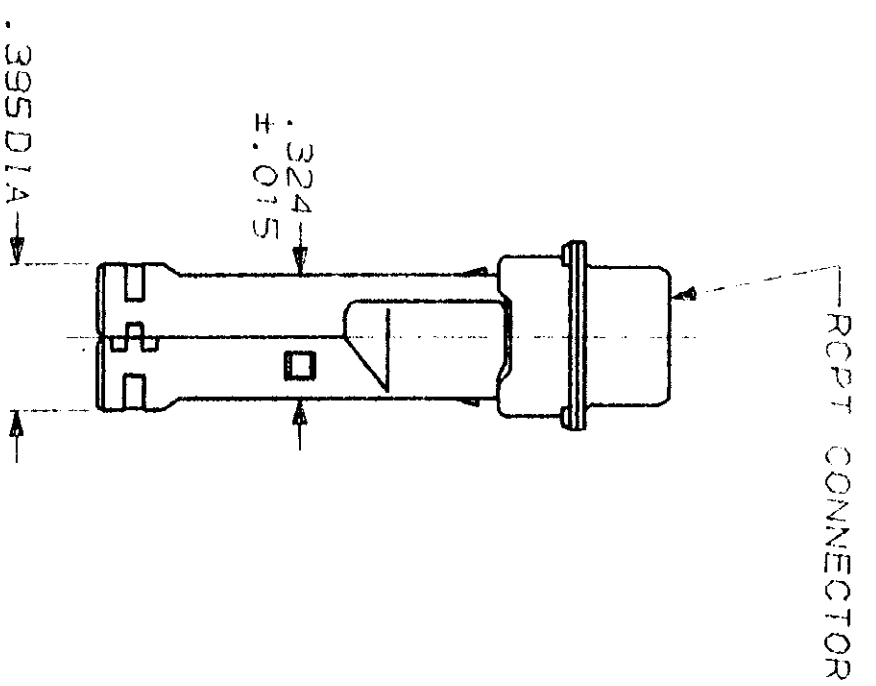
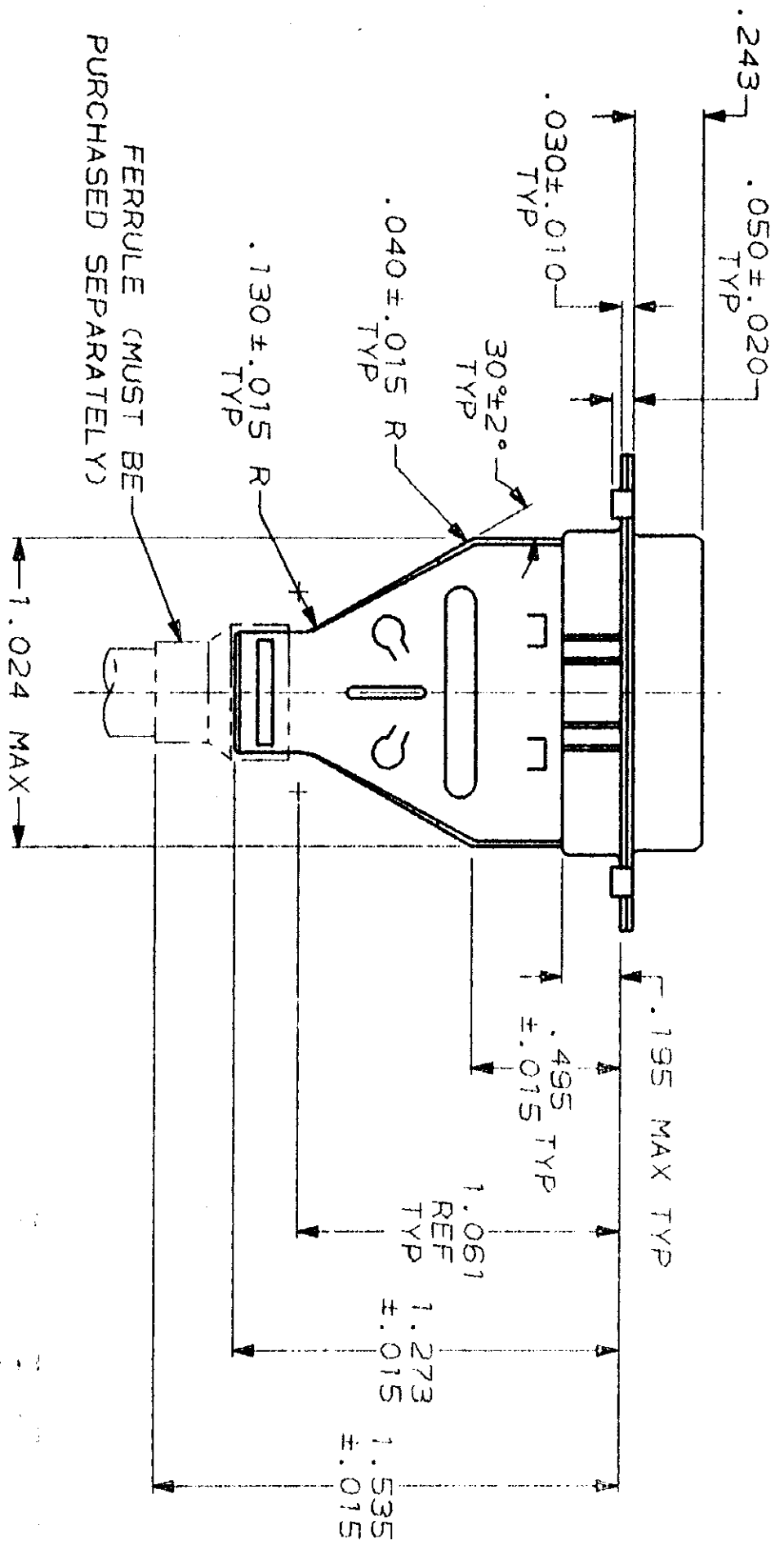
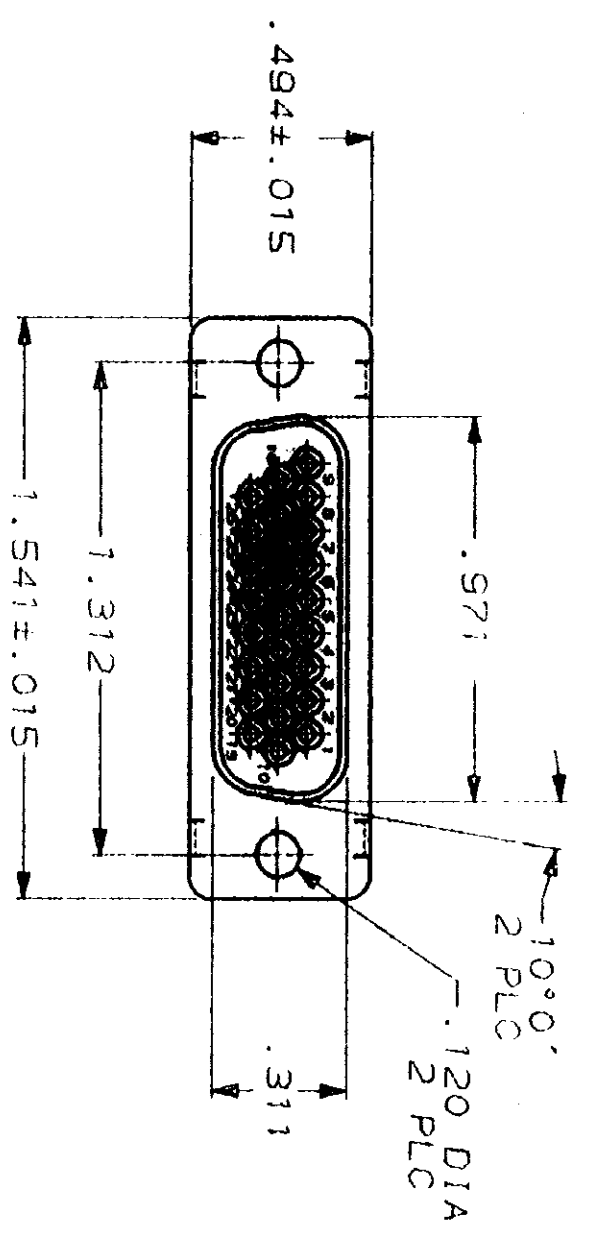


MOD	2	BD	39	REV	1	DATE	7-3-91
REV	1	DATE	7-3-91	APPD			
REVISIONS				DESCRIPTION			
1				REDRAWN AND REV ECN B05049			



1. RCPT ACCEPTS SIZE 22 DF SOCKET CONTACTS (CONTACTS MUST BE ORDERED SEPARATELY).
2. ALL PARTS SHIPPED UNASSEMBLED, EACH PART INDIVIDUALLY BULK PACKED.
3. FLAME RETARDANT 94V-0 RATED, GLASS FILLED NYLON, BLACK.

748635-1  
 PART NUMBER

DO NOT SCALE PRINT. UNLESS SPECIFIED DIMENSIONS IN INCHES TOLERANCES ON:		DR 7-3-91	NAME
1. DIMENSIONS	± .005	R. SHIREY	
2. PLG DEC	± .005	8-2-91	
3. PLG DEC	± 0°30'		
MATERIAL		APPD	
HOUSING:  PER ASTM A109		8-2-91	
SHELLS & SHIELDS: PER		PRODUCT SPEC	
ASTM A109			
FINISH		APPD	
SHELLS & SHIELDS: TIN			
PLATED PER MIL-T-10727			
APPLIC	SIZE	FSCH NO	DRAWING NO
WEIGHT	SCALE	00779	748635
	2:1		

**AMP** AMP INCORPORATED  
 HARRISBURG, PA. 17105

KIT, RCPT, SHIELDING HARDWARE,  
 SIZE 2, 26 POSN, HDP-22,  
 AMPLIMITE™

CUSTOMER DRAWING