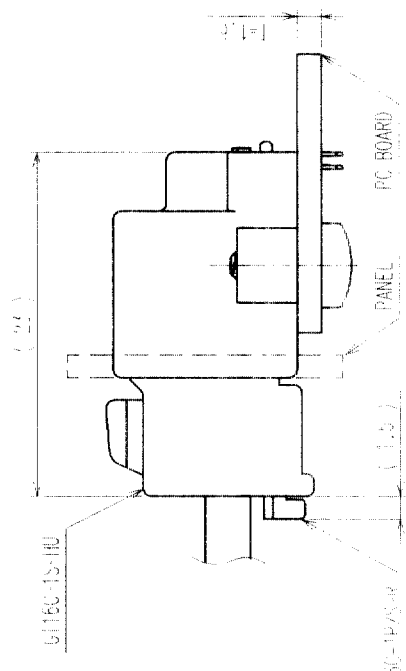
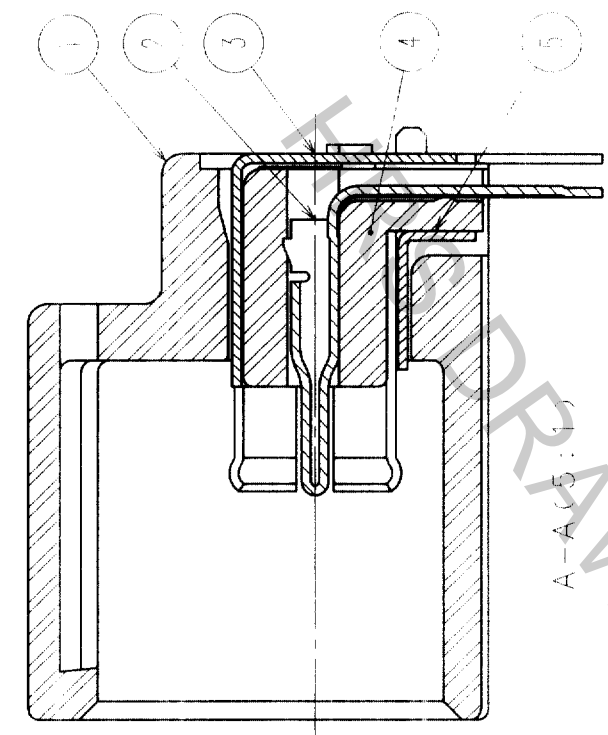
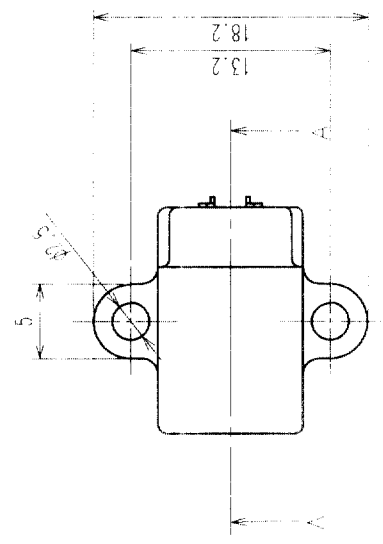
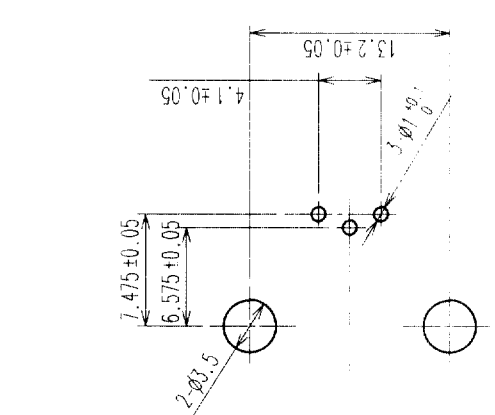
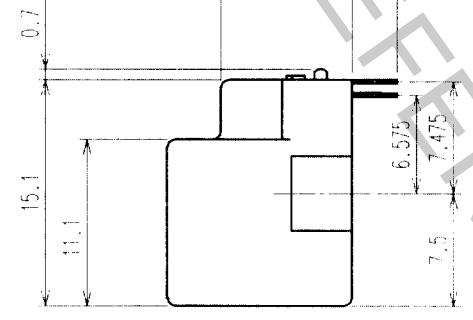


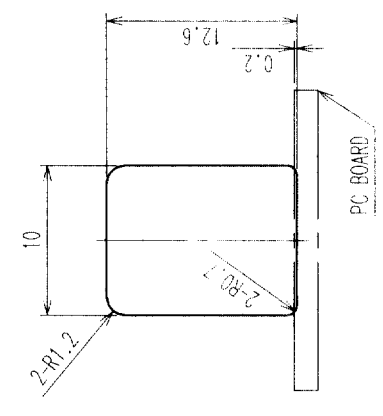
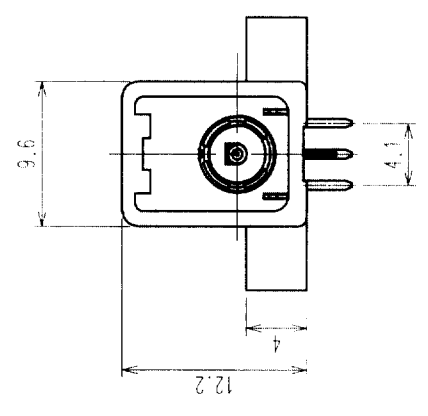
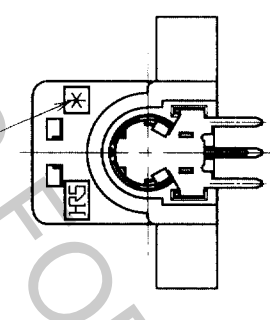
COUNT	DESCRIPTION OF REVISIONS	BY	CHKD	DATE	COUNT	DESCRIPTION OF REVISIONS	BY	CHKD	DATE
1	RE-T-00760	T.S.M.							



MATED CONNECTORS



CAV No.



RECOMMENDED PC BOARD HOLE PATTERN

RECOMMENDED PANEL CUTOUT

NOTE1. FIXING SCREW SHALL BE IN ACCORDANCE WITH ISO 1481 OR 7049, NOMINAL DIAMETER 3, AND LENGTH 6.

NO.	MATERIAL	FINISH	REMARKS	NO.	MATERIAL	FINISH	REMARKS
3	PHOSPHOR BRONZE	TIN PLATED	T=0.25	5	PHOSPHOR BRONZE	TIN PLATED	T=0.25
2	PHOSPHOR BRONZE	TIN PLATED	T=0.25	4	PPS	NATURAL	
1	PBT	LIGHT GRAY					

CODE NO. (OLD)	DRAWN	DESIGNED	CHECKED	APPROVED	RELEASED
	T. SHISHIKURAT.	T. SHISHIKURAT.	M. OKADA	K. SATO	
	'02 .5 .8	'02 .5 .8	'02 .5 .8	'02 .5 .8	'02 .5 .8

DRAWING NO.	EDC3-165888	PART NO.	GT16C-1P-DS
SCALE	2:1	CODE NO.	CL766-0013-1
UNITS	mm		

TO	
----	--