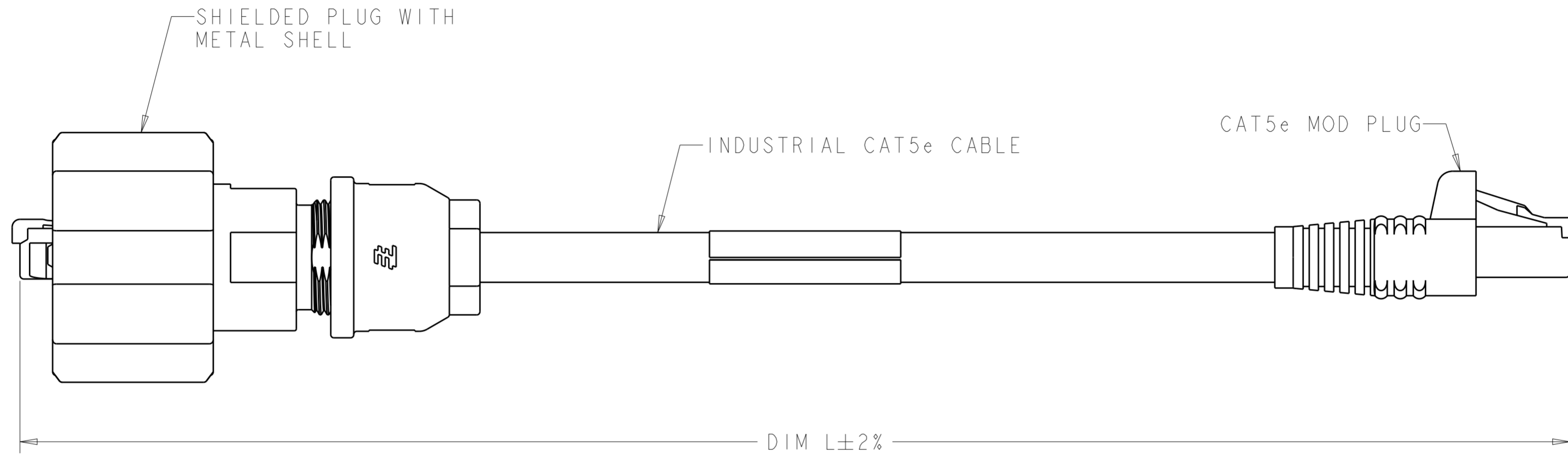

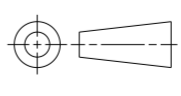


THIS DRAWING IS UNPUBLISHED. RELEASED FOR PUBLICATION 20  
 © COPYRIGHT 20 BY - ALL RIGHTS RESERVED.

REVISIONS				
P	LTR	DESCRIPTION	DATE	APVD
B		ADDITION OF COPPER FOIL IN ASSEMBLY	06APR2015	TJ PS



20.0	1986495-5
15.0	1986495-4
10.0	1986495-3
5.0	1986495-2
3.0	1986495-1
DIM L	PART NUMBER

THIS DRAWING IS A CONTROLLED DOCUMENT.		DWN S. SCHLEGEL 21NOV2008	 TE Connectivity			
DIMENSIONS: mm 		CHK M. STRECKEWALD 21NOV2008				
TOLERANCES UNLESS OTHERWISE SPECIFIED: 0 PLC ± 1 PLC ± 2 PLC ± 3 PLC ± 4 PLC ± ANGLES ± FINISH -		APVD M. STRECKEWALD 21NOV2008	NAME CAT 5e INDUSTRIAL ETHERNET CORDSET, STRANDED			
MATERIAL		PRODUCT SPEC	SIZE	CAGE CODE	DRAWING NO	RESTRICTED TO
-		APPLICATION SPEC	A2	00779	C-1986495	-
-		WEIGHT	Customer Drawing		SCALE 2:1	SHEET 1 OF 1 REV B