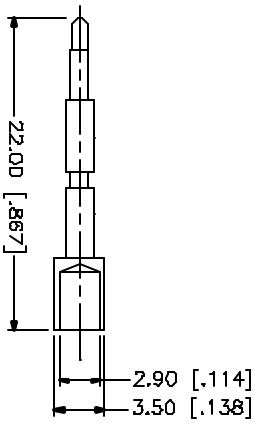
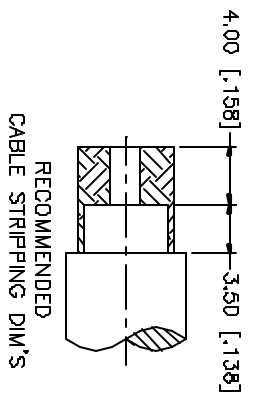
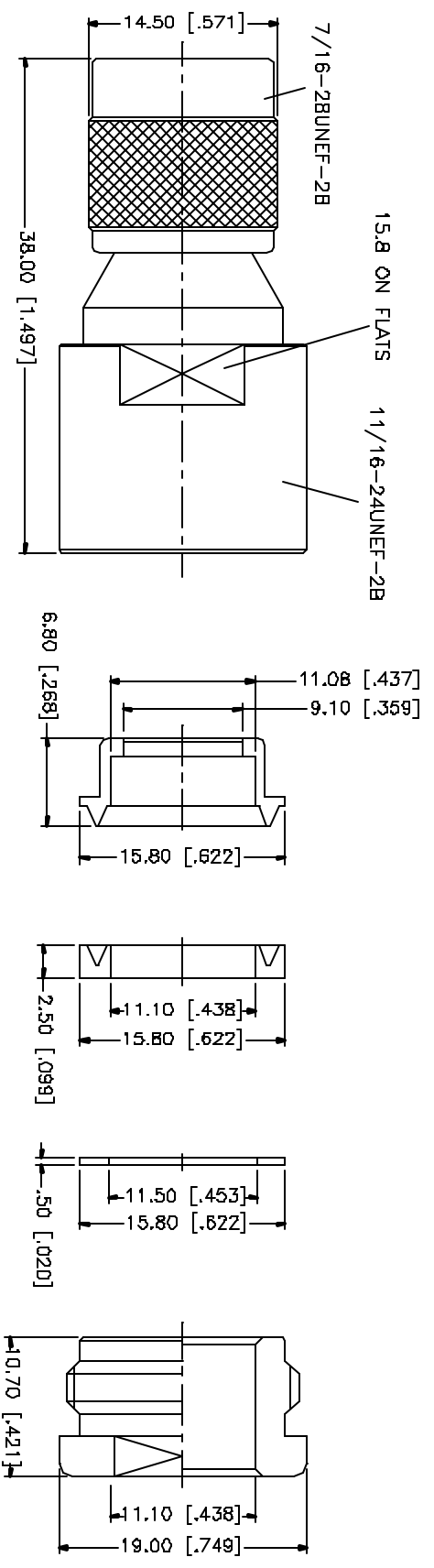


REV.	DATE	DESCRIPTION
A	03/20/05	UPDATE DRAWING FORMAT



QTY	FINISH	MATERIAL	DESCRIPTION
1	NICKEL	BRASS	NUT
1	NICKEL	BRASS	WASHER
1	RED	SILKCOVE	GASKET
1	NICKEL	BRASS	BRAID CLAMP
1	GOLD	BRASS	CONTACT PIN
1	NATURAL	TEFLON	INSULATOR
1	NICKEL	BRASS	BODY

APPROVALS	DATE
Q.R.S.	03/20/05

DO NOT SCALE DRAWING
<p>UNLESS OTHERWISE SPECIFIED, DIMENSIONS ARE IN MILLIMETERS (DIMENSIONS IN [] ARE IN INCHES) AND FOR DIMENSIONS IN MILLIMETERS, TOLERANCES ARE AS FOLLOWS:</p> <p>FINISH DIMENSIONS SPECIFIED TOLERANCES FOR MILLIMETERS ARE:</p> <p>0.5 - 8mm ± 0.20mm</p> <p>8 - 30mm ± 0.40mm</p> <p>30 - 120mm ± 0.80mm</p> <p>UNLESS OTHERWISE SPECIFIED, TOLERANCES FOR INCHES ARE:</p> <p>0.20 - 0.315 = ± 0.007"</p> <p>0.315 - 1.180 = ± 0.015"</p> <p>1.180 - 4.724 = ± 0.020"</p>

PART DESCRIPTION	PART NO.
TNC CLAMP PLUG (FOR BELDEN 9913 CABLE)	122397

DWG. NO.	REV.	SIZE	SCALE
122397.DWG	A	A	NA

Amphenol Connex