

THE INFORMATION CONTAINED HEREIN IS CONSIDERED "PROPRIETARY" TO BEL FUSE INC. AND SHALL NOT BE COPIED, REPRODUCED OR DISCLOSED WITHOUT THE WRITTEN APPROVAL OF BEL FUSE INC.

LED POLARITY			
PIN 12	PIN 11	PIN 10	COLOR
-	+	/	GREEN
/	+	-	ORANGE

ELECTRICAL CHARACTERISTICS @ 25°C

URNS RATIO

TP1	1CT : 1CT ±2%
TP2	1CT : 1CT ±2%
TP3	1CT : 1CT ±2%
TP4	1CT : 1CT ±2%

□CL @ 100kHz/100mVRMS

8mA DC BIAS	350μ H MIN.
-------------	-------------

INS. LOSS

0.1MHz TO 1MHz	-1.1 dB MAX
1MHz TO 65MHz	-0.5 dB MAX
65MHz TO 100MHz	-0.8 dB MAX
100MHz TO 125MHz	-1.2 dB MAX

RET. LOSS (MIN)

0.5MHz-40MHz	-18 dB
40MHz-100MHz	-12+20LOG(f/80MHz) dB

CM TO CM REJ

100kHz - 100MHz	-30 dB MIN
-----------------	------------

CM TO DM REJ

100kHz - 100MHz	-35 dB MIN
-----------------	------------

HIPOT (Isolation Voltage):

1500 Vrms  
100% OF PRODUCTION TESTED TO COMPLY WITH IEEE 802.3 ISOLATION REQUIREMENT

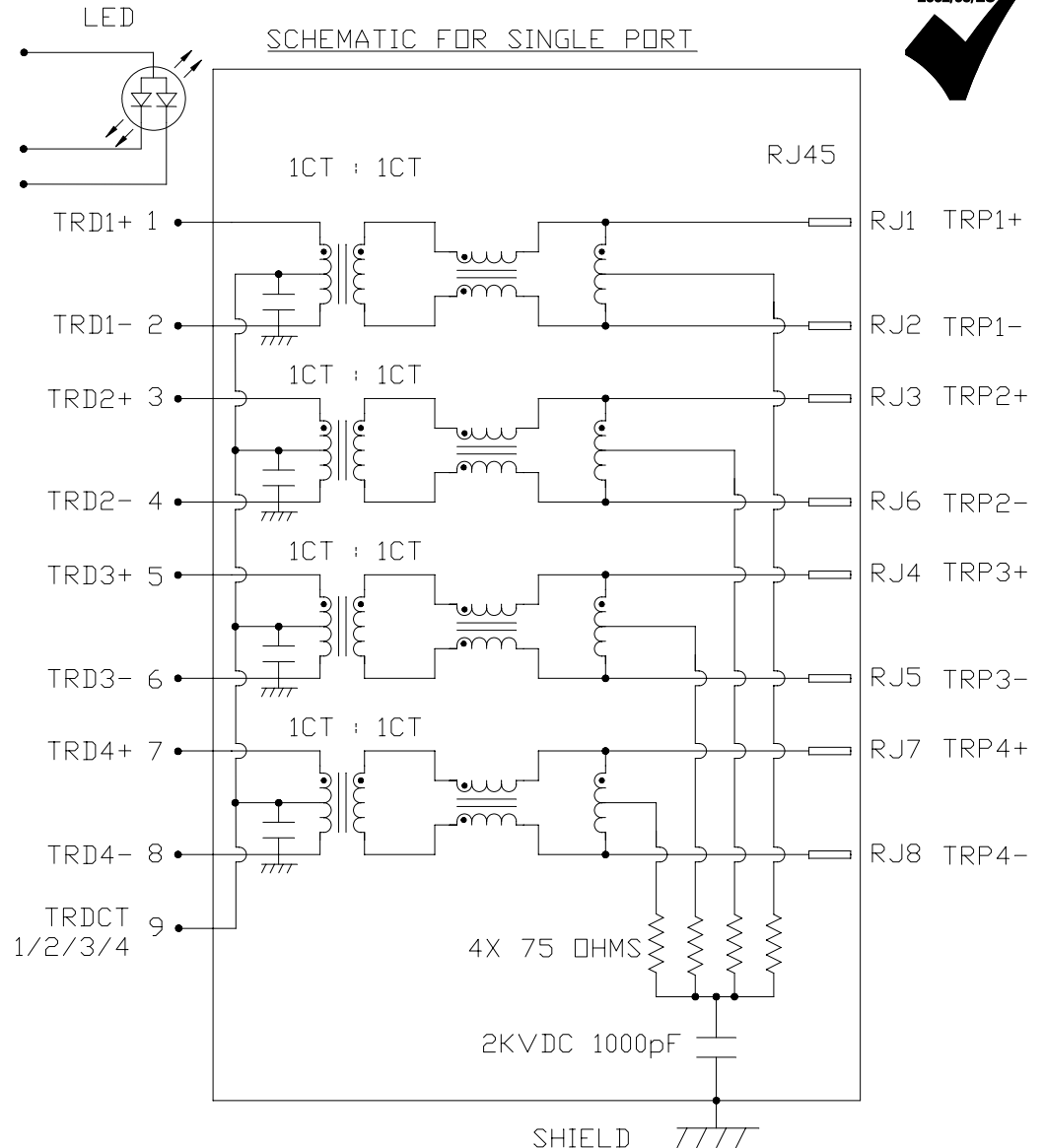
LED

VF (FORWARD VOLTAGE)	IF=20mA	GREEN	2.2V TYP.
		ORANGE	2.1V TYP.
λ D (DOMINANT WAVELENGTH)	IF=20mA	GREEN	570nm TYP.
		ORANGE	607nm TYP.

NOTES:

SCHEMATIC & ELECTRICAL CHARACTERISTICS ARE IDENTICAL FOR PORT 1 & PORT 2.

GREEN 12  
ORANGE 10



ORIGINATED BY	DATE	TITLE
CHOW WANGCHUNG	08-07-10	2X1 gigabit MagJack® (with LED)
DRAWN BY	DATE	FILE NAME
LEE WEIDE	08-07-10	08432B1T33-F PATENTED

PART NO. / DRAWING NO.	STANDARD DIM.	[ ] METRIC DIM. AS REFERENCE
08432B1T33-F	TOL. IN INCH	UNIT : INCH [mm]
FILE NAME	.X	REV. : B
08432B1T33-F_B.DWG	.XX	SCALE : N/A
	.XXX	SIZE : A4
		PAGE : 2

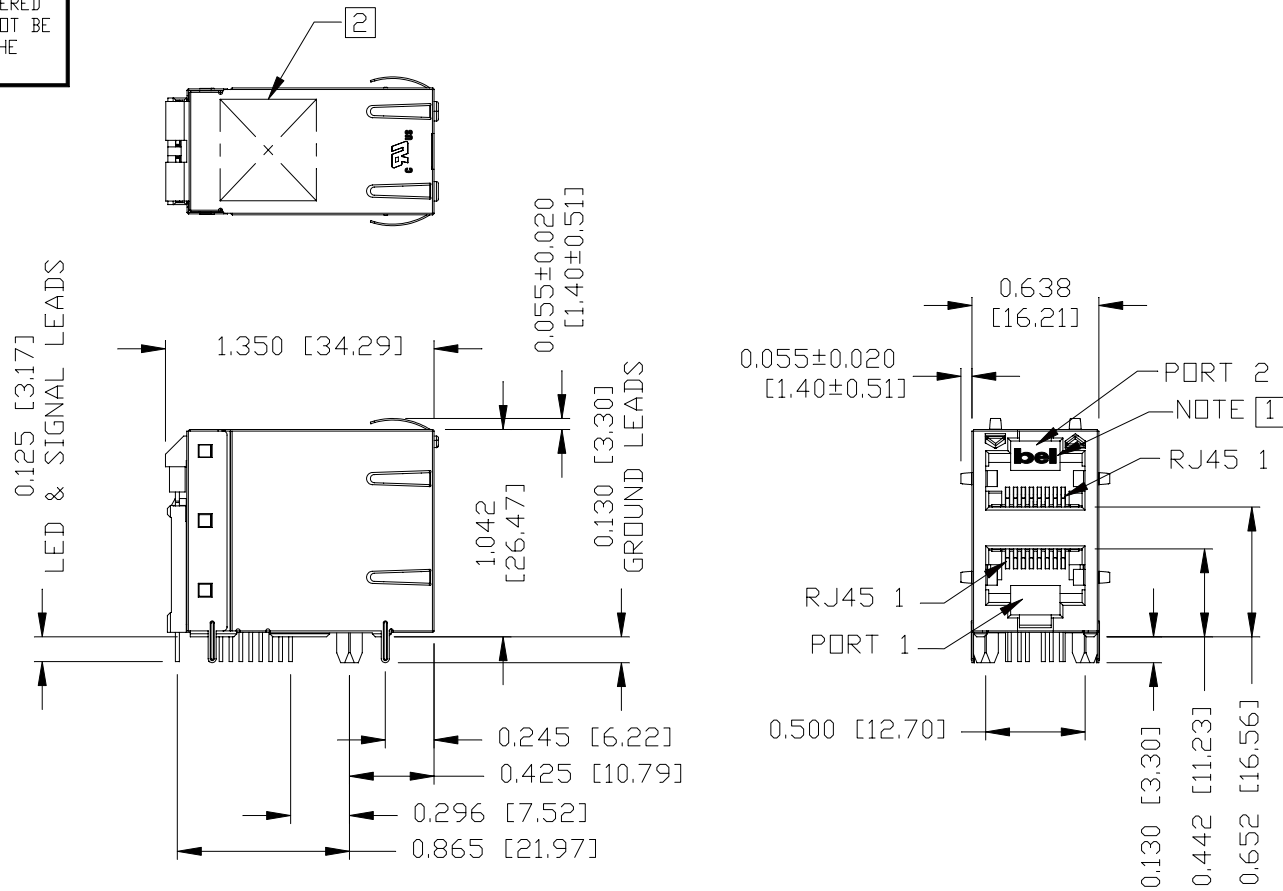
PART NO. / DRAWING NO.	STANDARD DIM.	[ ] METRIC DIM. AS REFERENCE
08432B1T33-F	TOL. IN INCH	UNIT : INCH [mm]
FILE NAME	.X	REV. : B
08432B1T33-F_B.DWG	.XX	SCALE : N/A
	.XXX	SIZE : A4
		PAGE : 2

PART NO. / DRAWING NO.	STANDARD DIM.	[ ] METRIC DIM. AS REFERENCE
08432B1T33-F	TOL. IN INCH	UNIT : INCH [mm]
FILE NAME	.X	REV. : B
08432B1T33-F_B.DWG	.XX	SCALE : N/A
	.XXX	SIZE : A4
		PAGE : 2

PART NO. / DRAWING NO.	STANDARD DIM.	[ ] METRIC DIM. AS REFERENCE
08432B1T33-F	TOL. IN INCH	UNIT : INCH [mm]
FILE NAME	.X	REV. : B
08432B1T33-F_B.DWG	.XX	SCALE : N/A
	.XXX	SIZE : A4
		PAGE : 2



THE INFORMATION CONTAINED HEREIN IS CONSIDERED "PROPRIETARY" TO BEL FUSE INC. AND SHALL NOT BE COPIED, REPRODUCED OR DISCLOSED WITHOUT THE WRITTEN APPROVAL OF BEL FUSE INC.



**NOTES:**

- PLASTIC HOUSING: THERMOPLASTIC PBT  
FLAMMABILITY RATING UL 94V-0
- CONTACT PLATING: 50 MICRO-INCH HARD GOLD PLATING
- OUTPUT PINS: TIN-COATED COPPER WIRE, DIA 0.018 INCH.
- METAL SHIELD: NICKEL OR TIN PLATED COPPER ALLOY.  
(ALL NICKEL PLATED GROUND LEADS ARE SOLDER DIPPED)

[1] JACK CAVITY CONFORMS TO FCC RULES AND REGULATIONS, PART 68 SUBPART F.

**UL** US UL RECOGNIZED - FILE #E196366 AND E169987.

- [2] MARK PART WITH MFG LOGO, MFG NAME, PART NUMBER, DATE CODE AND PATENTED.
- 3. RoHS COMPLIANCE, PER EU DIRECTIVE 2002/95/EC.
- 4. THE PRODUCT IS PATENTED, THE PATENT NUMBER ARE U.S. PAT. 5,736,910 AND U.S. PAT. 6,840,817.

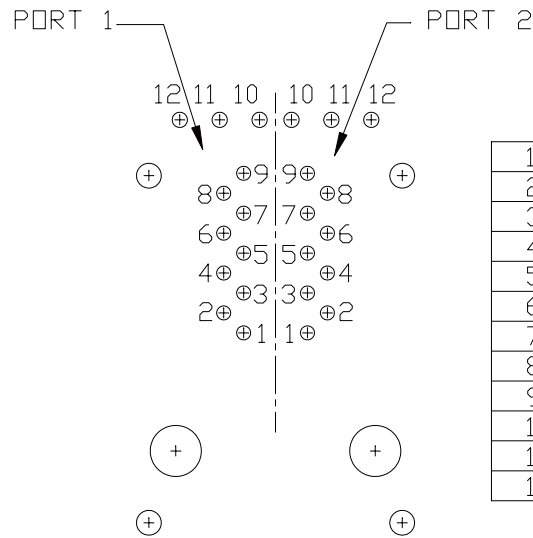
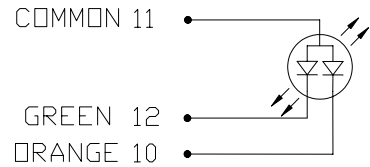
ORIGINATED BY CHEN BILL	DATE 08-07-10	TITLE 2X1 gigabit MagJack® (with LED)	PART NO. / DRAWING NO. 08432B1T33-F	STANDARD DIM. TOL. IN INCH		[ ] METRIC DIM. AS REFERENCE	
				.X		UNIT : INCH [mm]	REV. : B
DRAWN BY XIAN JIAXIN	DATE 08-07-10	0843-2B1T-33-F PATENTED	FILE NAME 08432B1T33-F_B.DWG	.XX		SCALE : N/A	SIZE : A4
				.XXX	±0.010		PAGE : 3



THE INFORMATION CONTAINED HEREIN IS CONSIDERED "PROPRIETARY" TO BEL FUSE INC. AND SHALL NOT BE COPIED, REPRODUCED OR DISCLOSED WITHOUT THE WRITTEN APPROVAL OF BEL FUSE INC.

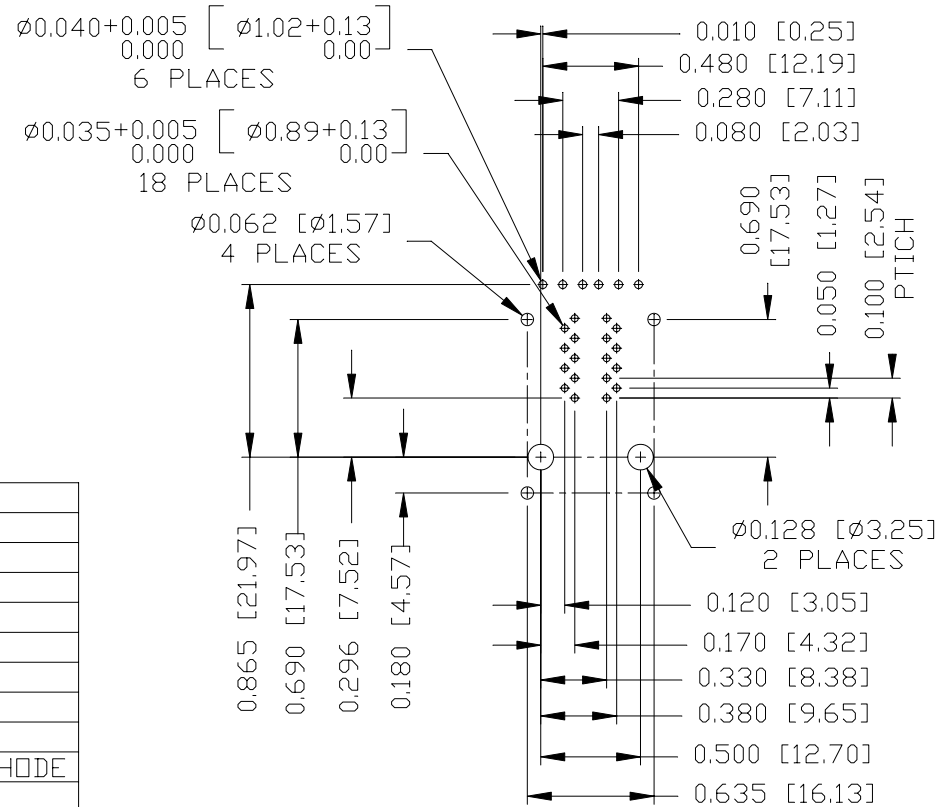


LED CONFIGURATION



1	TRD 1+
2	TRD 1-
3	TRD 2+
4	TRD 2-
5	TRD 3+
6	TRD 3-
7	TRD 4+
8	TRD 4-
9	TRCT 1/2/3/4
10	ORANGE LED CATHODE
11	COMMON ANODE
12	GREEN LED CATHODE

PIN-OUT INFORMATION  
(COMPONENT SIDE VIEW)



SUGGESTED FOOTPRINT  
(COMPONENT SIDE VIEW)

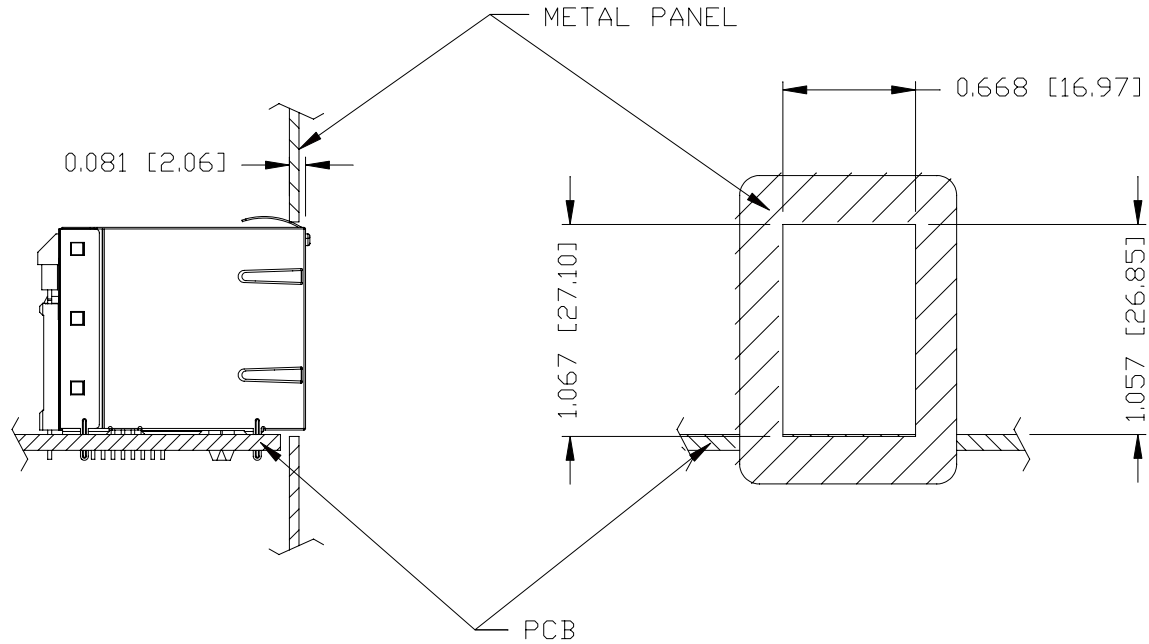
ORIGINATED BY CHEN BILL	DATE 08-07-10	TITLE 2X1 gigabit MagJack® (with LED)	PART NO. / DRAWING NO. 08432B1T33-F	STANDARD DIM. TOL. IN INCH		[ ] METRIC DIM. AS REFERENCE		REV. : B
				.X		UNIT : INCH [mm]	SCALE : N/A	
DRAWN BY XIAN JIAXIN	DATE 08-07-10	0843-2B1T-33-F PATENTED	FILE NAME 08432B1T33-F_B.DWG	.XX		SCALE : N/A	SIZE : A4	PAGE : 4
				.XXX	±0.004			



THE INFORMATION CONTAINED HEREIN IS CONSIDERED "PROPRIETARY" TO BEL FUSE INC. AND SHALL NOT BE COPIED, REPRODUCED OR DISCLOSED WITHOUT THE WRITTEN APPROVAL OF BEL FUSE INC.



SUGGESTED PANEL OPENING



NOTE:

THE DISTANCE OF PANEL INSIDE SURFACE RELATIVE TO FRONT SURFACE OF PART IS ONLY A SUGGESTION. IN CASE THIS DISTANCE IS DIFFERENT, THE REQUIRED PANEL OPENING DIMENSIONS CHANGE ACCORDINGLY.

PACKING INFORMATION

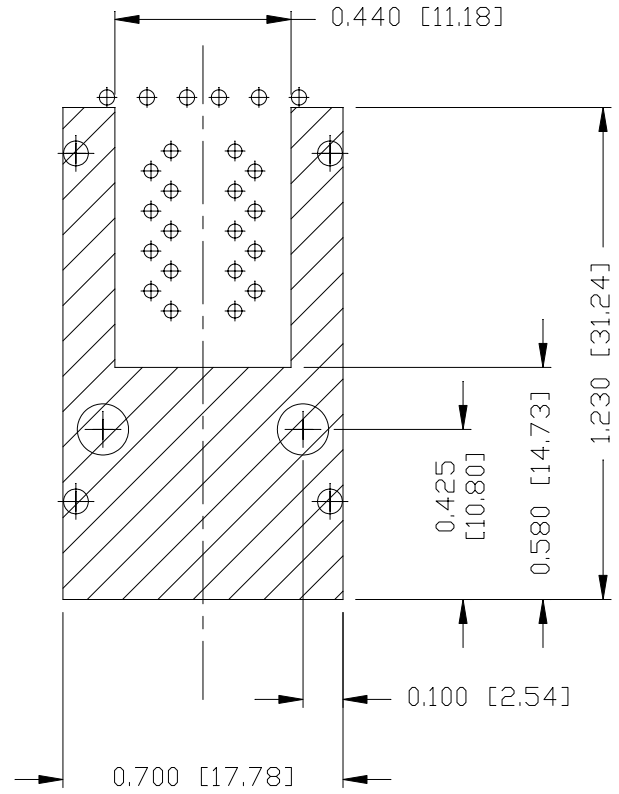
PACKING TRAY: 0200-0148-36 (TOP)  
0200-0148-34 (BOTTOM)

PACKING QUANTITY: 40 PCS FINISHED GOODS PER TRAY  
6 TRAYS (240 PCS FINISHED GOODS) PER CARTON BOX.

NOTE: CARDBOARD ARE PLACED BETWEEN LAYERS OF PACKING TRAY INSIDE CARTON BOX.  
(INCLUDE THE UPPERMOST AND LOWEREST TRAY)

ORIGINATED BY	DATE	TITLE 2X1 gigabit MagJack® (with LED)	PART NO. / DRAWING NO. 08432B1T33-F	STANDARD DIM.		[ ] METRIC DIM. AS REFERENCE		 COMPONENTS FOR A CONNECTED PLANET
CHEN BILL	08-07-10			TOL. IN INCH		UNIT : INCH [mm]	REV. : B	
DRAWN BY	DATE	0843-2B1T-33-F PATENTED	FILE NAME 08432B1T33-F_B.DWG	.X		SCALE : N/A	SIZE : A4	
XIAN JIAXIN	08-07-10			.XX		±0.004	PAGE : 5	
				.XXX				

THE INFORMATION CONTAINED HEREIN IS CONSIDERED "PROPRIETARY" TO BEL FUSE INC. AND SHALL NOT BE COPIED, REPRODUCED OR DISCLOSED WITHOUT THE WRITTEN APPROVAL OF BEL FUSE INC.



NOTES:

THE SHADED AREA ON THE CUSTOMER BOARD ARE RECOMMENDED TO BE CLEAR OFF ANY VIA HOLE OR COMPONENT PAD.

ORIGINATED BY CHEN BILL	DATE 08-07-10	TITLE 2X1 gigabit MagJack® (with LED) 0843-2B1T-33-F PATENTED	PART NO. / DRAWING NO. 08432B1T33-F		STANDARD DIM. TOL. IN INCH		[ ] METRIC DIM. AS REFERENCE	
			FILE NAME 08432B1T33-F_B.DWG		.X /		UNIT : INCH [mm]	REV. : B
DRAWN BY XIAN JIAXIN	DATE 08-07-10				.XX /		SCALE : N/A	SIZE : A4
					.XXX ±0.004			PAGE : 6

