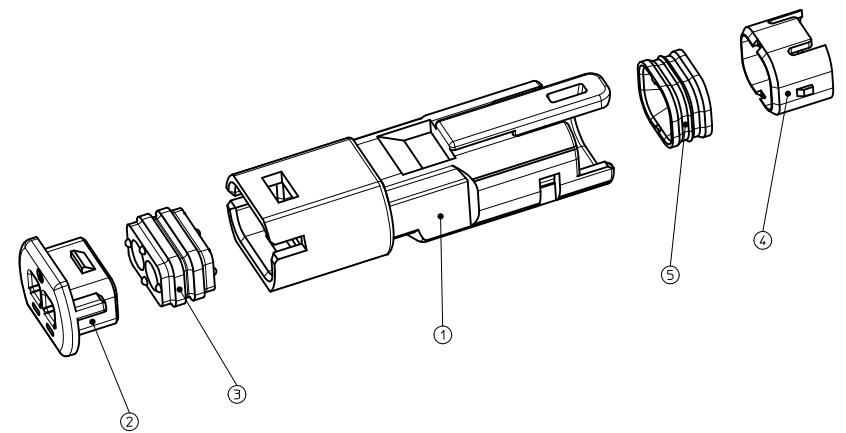


SECTION A-A
(TERMINAL ASSEMBLY DRAWING)



- NOTES:
1. MATERIAL SEE CHART
 2. GENERAL TOLERANCE PER AS BELOW:
 UNDER 10: +0.2
 OVER 10, UNDER 30: +0.25
 OVER 30: +0.3
 ANGLE: +3°
 3. PRODUCT SPECIFICATION: PS-52213-003
 4. PACKAGING SPECIFICATION: RPK-52266-001
 5. MATES WITH: 52213-021*
 6. APPLICABLE CRIMP PIN: 50147-8*00
 7. APPLICATION SPECIFICATION: AS-52266-001

⑤	SEAL	SILICON	1
④	SEAL STOPPER	PBT GF15%, BLACK	1
③	MATTE SEAL	SILICON	1
②	SEAL COVER	PBT GF15%, BLACK	1
①	PLUG HOUSING	PBT GF15%, BLACK	1
ITEM NO	TITLE	MATERIAL	QTY

REVISED & RELEASED EC NO: JTR2012-0069 DRWN: YM001 CHKD: TAITO APPR: MAYAMAMOTO	2012/01/18 2012/02/01 2012/02/13	DESCRIPTION REV	QUALITY SYMBOLS ∇=0 ∇=0 ∇=0		GENERAL TOLERANCES (UNLESS SPECIFIED) mm INCH 4 PLACES ± --- ± --- 3 PLACES ± --- ± --- 2 PLACES ± --- ± --- 1 PLACE ± --- ± --- ANGULAR ± ---°		DIMENSION STYLE MM ONLY		SCALE 5:1	DESIGN UNITS METRIC	THIRD ANGLE PROJECTION	
			DRAWN BY YM001		DATE 2011/10/18		TITLE 2.5 MINI WATERPROOF CONN. ASS'Y		MOLEX INCORPORATED		SHEET NO. 1 OF 1	
			CHECKED BY TAITO		DATE 2012/02/01		APPROVED BY MAYAMAMOTO		DATE 2012/02/13		DOCUMENT NO. SD-52266-001	
			MATERIAL NO. 52266-0213		SIZE A2		THIS DRAWING CONTAINS INFORMATION THAT IS PROPRIETARY TO MOLEX INCORPORATED AND SHOULD NOT BE USED WITHOUT WRITTEN PERMISSION					