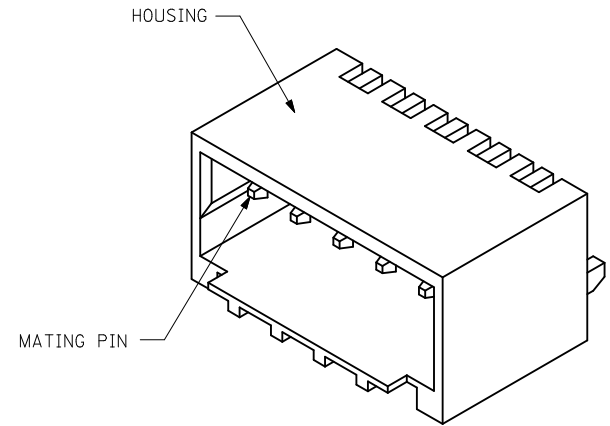


SECTION A-A



NOTES:

- MATERIALS:  
HOUSING : GLASS-FILLED LIQUID CRYSTAL POLYMER, UL RATED 94V-0  
COLOR: BEIGE  
PINS: BRASS ALLOY, C26000
- PLATING: 2.54µM MIN. TIN OVER 1.27µM MIN. NICKEL EXCEPT AT CUT-EDGE WHERE THICKNESS CAN BE 1.90µM MIN.
- CUT-EDGE TIN MEASUREMENT POINT.
- DRAWING SHOWS PLUG WITH 5 CIRCUITS.
- HEADER TO BE USED WITH CRIMP HOUSING, P/N 87439 AND CRIMP TERMINAL, P/N 87421
- PRODUCT SPEC. PS-78047-001 APPLIES.


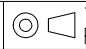
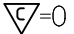
REVISED EC NO: J2011-0926 DRWN: CWLAM CHKD: APPR: NUKITA	DESCRIPTION 2011/01/14 2011/04/05	QUALITY SYMBOLS	GENERAL TOLERANCES (UNLESS SPECIFIED)	DIMENSION STYLE	SCALE	DESIGN UNITS	THIRD ANGLE PROJECTION	
		▽=0 ∇=0	mm INCH	MM ONLY	NTS	METRIC		
			4 PLACES ± --- ± --- 3 PLACES ± --- ± --- 2 PLACES ± 0.20 ± --- 1 PLACE ± --- ± ---	DRAWN BY DATE SKANG 2007/07/18	TITLE HEADER, 150MM PITCH W-T-B, R/A, SMT			
			ANGULAR ± 3 °	CHECKED BY DATE ATSEE 2007/07/25	APPROVED BY DATE MLONG 2007/07/25			
		DRAFT WHERE APPLICABLE MUST REMAIN WITHIN DIMENSIONS	SEE TABLE	MATERIAL NO.	DOCUMENT NO.		SHEET NO.	
				SIZE A3	THIS DRAWING CONTAINS INFORMATION THAT IS PROPRIETARY TO MOLEX INCORPORATED AND SHOULD NOT BE USED WITHOUT WRITTEN PERMISSION			

10 9 8 7 6 5 4 3 2 1

HOUSING COLOUR	HEADER IN TUBE PACKING	HEADER IN TAPE & REEL (W/O HOLE)	HEADER IN TAPE & REEL (WITH HOLE)	STATUS	CKT SIZE	A	B	C	D	E
BIEGE	78048-0242	78048-0243	---	M	2	1.50	3.30	3.70	4.30	1.70
	78048-0342	78048-0343	---	M	3	3.00	4.80	5.20	5.80	3.20
	78048-0442	78048-0443	---	M	4	4.50	6.30	6.70	7.30	4.70
	78048-0542	78048-0543	---	M	5	6.00	7.80	8.20	8.80	6.20
	78048-0642	78048-0643	---	M	6	7.50	9.30	9.70	10.30	7.70
	78048-0742	78048-0743	78048-0744	M	7	9.00	10.80	11.20	11.80	9.20
	78048-0842	78048-0843	---	M	8	10.50	12.30	12.70	13.30	10.70
	78048-0942	78048-0943	---	M	9	12.00	13.80	14.20	14.80	12.20
	78048-1042	78048-1043	---	M	10	13.50	15.30	15.70	16.30	13.70
	78048-1142	78048-1143	---	M	11	15.00	16.80	17.20	17.80	15.20
	78048-1242	78048-1243	---	M	12	16.50	18.30	18.70	19.30	16.70
	78048-1342	78048-1343	---	M	13	18.00	19.80	20.20	20.80	18.20
	78048-1442	78048-1443	---	M	14	19.50	21.30	21.70	22.30	19.70
	78048-1542	78048-1543	---	M	15	21.00	22.80	23.20	23.80	21.20

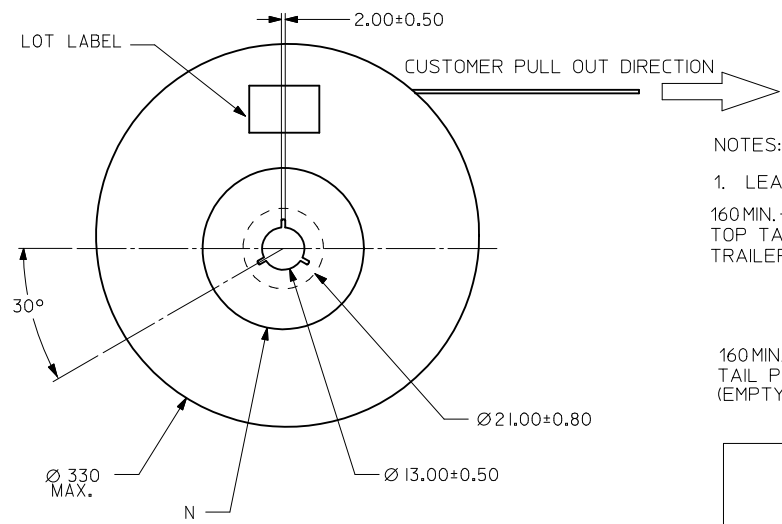
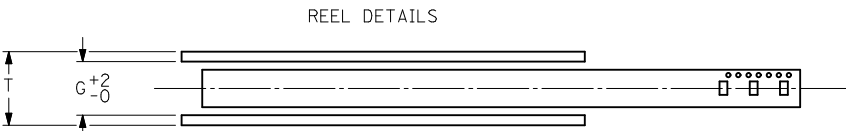
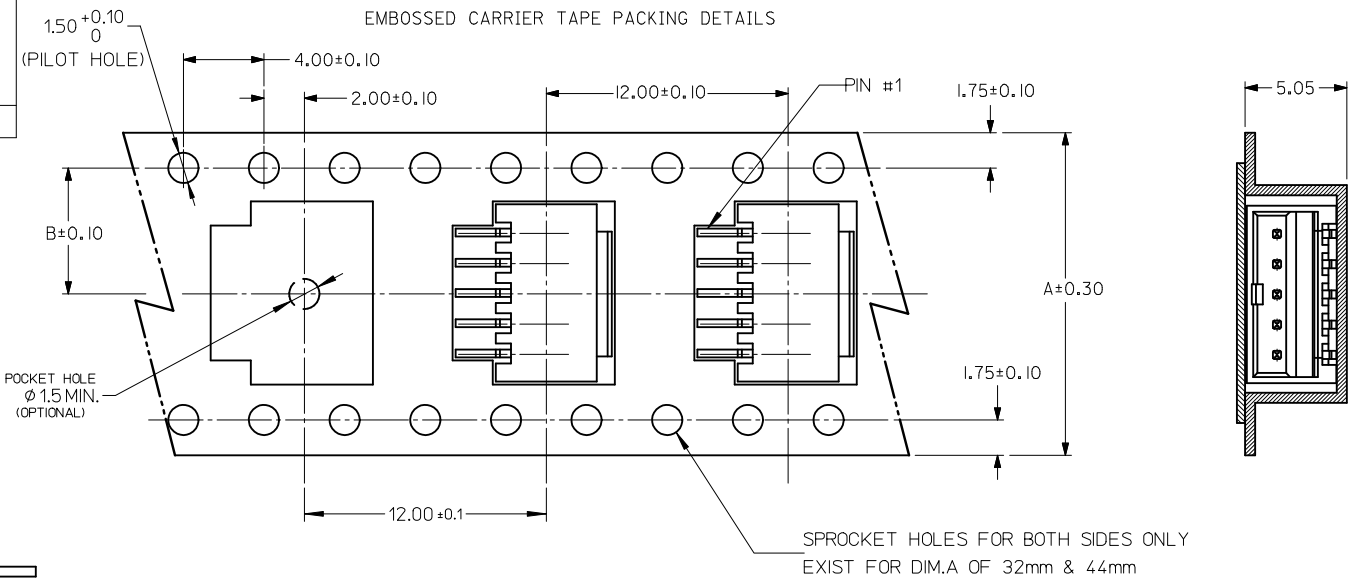
NOTES:

 REFER SHEET 3 FOR EMBOSSED TAPE POCKET HOLE DETAIL & POSITION

<b>REVISED</b> EC NO: J2011-0926 DRWN: CWLAM 2011/01/14 CHKD: APPR: NUKITA 2011/04/05 REV DESCRIPTION	QUALITY SYMBOLS	GENERAL TOLERANCES (UNLESS SPECIFIED)	DIMENSION STYLE	SCALE	DESIGN UNITS	THIRD ANGLE PROJECTION
	 =0	mm INCH	MM ONLY	NTS	METRIC	
	 =0	4 PLACES ± --- ± ---	DRAWN BY DATE	TITLE		
		3 PLACES ± --- ± ---	SKANG 2007/07/18	HEADER, 150MM PITCH W-T-B, R/A, SMT		
		2 PLACES ± 0.20 ± ---	CHECKED BY DATE	MATERIAL NO. DOCUMENT NO. SHEET NO.		
	1 PLACE ± --- ± ---	ATSEE 2007/07/25	SD-78048-001 2 OF 3			
	ANGULAR ± 3 °	APPROVED BY DATE	THIS DRAWING CONTAINS INFORMATION THAT IS PROPRIETARY TO MOLEX INCORPORATED AND SHOULD NOT BE USED WITHOUT WRITTEN PERMISSION			
		MLONG 2007/07/25				
	DRAFT WHERE APPLICABLE MUST REMAIN WITHIN DIMENSIONS	SIZE				
		A3				

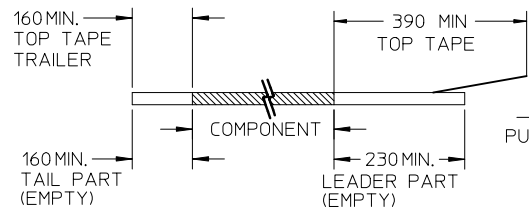
9 8 7 6 5 4 3 2 1

10	9	8	7	6	5	4	3	2	1
15	44	20.20	100	44.40	50.40				
11, 12, 13, 14	32	14.20	100	32.40	38.40				
7, 8, 9, 10	24	11.50	100	24.40	30.40				
2, 3, 4, 5, 6	16	7.50	100	16.40	22.40				
CIRCUIT SIZE	A	B	N	G	T MAX				

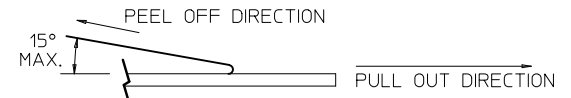


**NOTES:**

1. LEADER AND TRAILER TAPE



2. PEELING OFF FORCE OF THE TOP TAPE: 20-80gf. (PEELING DIRECTION AS SHOWN IN FOLLOWING FIGURE)



- 3. PACKAGING STANDARD IS AS PER EIA-481.
- 4. TAPE & REEL QUANTITY = 1000PCS/REEL
- 5. THE TAPE IS TREATED FOR ANTI-STATIC

<b>REVISED</b> EC NO: J2011-0926 DRWN: CWLAM CHKD: APPR: NUKITA 2011/01/14 2011/04/05	QUALITY SYMBOLS ▽=0 ◻=0	GENERAL TOLERANCES (UNLESS SPECIFIED)		DIMENSION STYLE <b>MM ONLY</b>		SCALE <b>NTS</b>	DESIGN UNITS <b>METRIC</b>	THIRD ANGLE PROJECTION			
		4 PLACES ± --- ± ---	3 PLACES ± --- ± ---	DRAWN BY SKANG	DATE 2007/07/18	TITLE <b>HEADER, 150MM PITCH          W-T-B, R/A, SMT</b>					
		2 PLACES ± 0.20 ± ---	1 PLACE ± --- ± ---	CHECKED BY ATSEE	DATE 2007/07/25	MOLEX INCORPORATED					
		ANGULAR ± 3 °		APPROVED BY MLONG	DATE 2007/07/25	MATERIAL NO. <b>SEE TABLE</b>	DOCUMENT NO. <b>SD-78048-001</b>	SHEET NO. <b>3 OF 3</b>			
DRAFT WHERE APPLICABLE MUST REMAIN WITHIN DIMENSIONS		THIS DRAWING CONTAINS INFORMATION THAT IS PROPRIETARY TO MOLEX INCORPORATED AND SHOULD NOT BE USED WITHOUT WRITTEN PERMISSION									