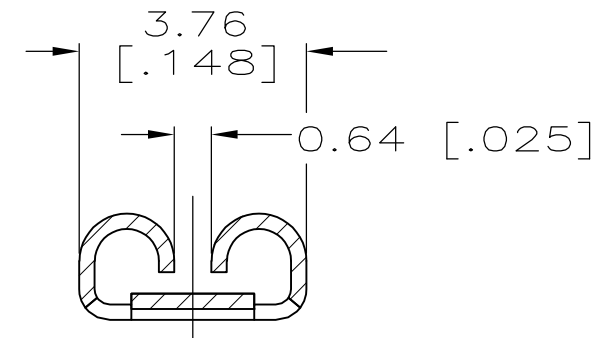
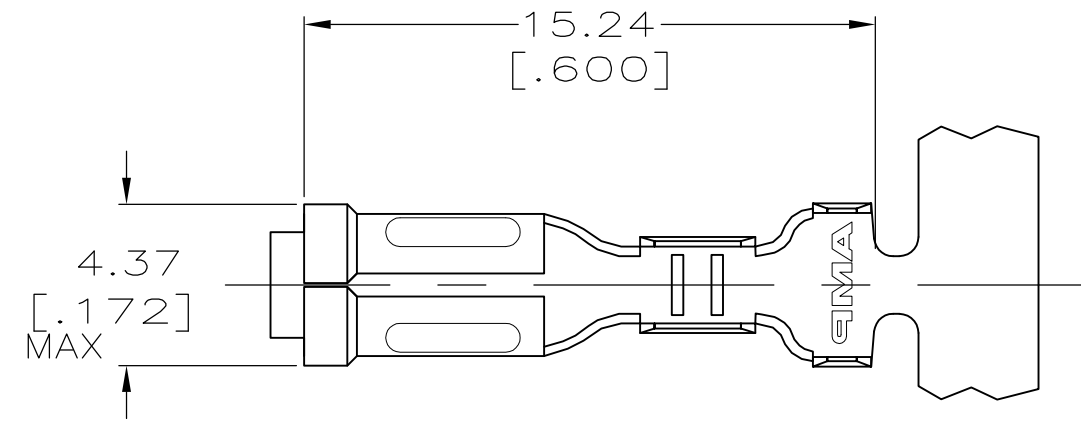


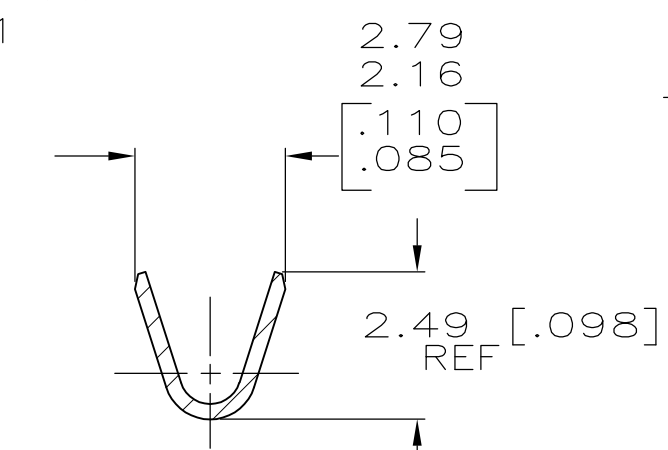
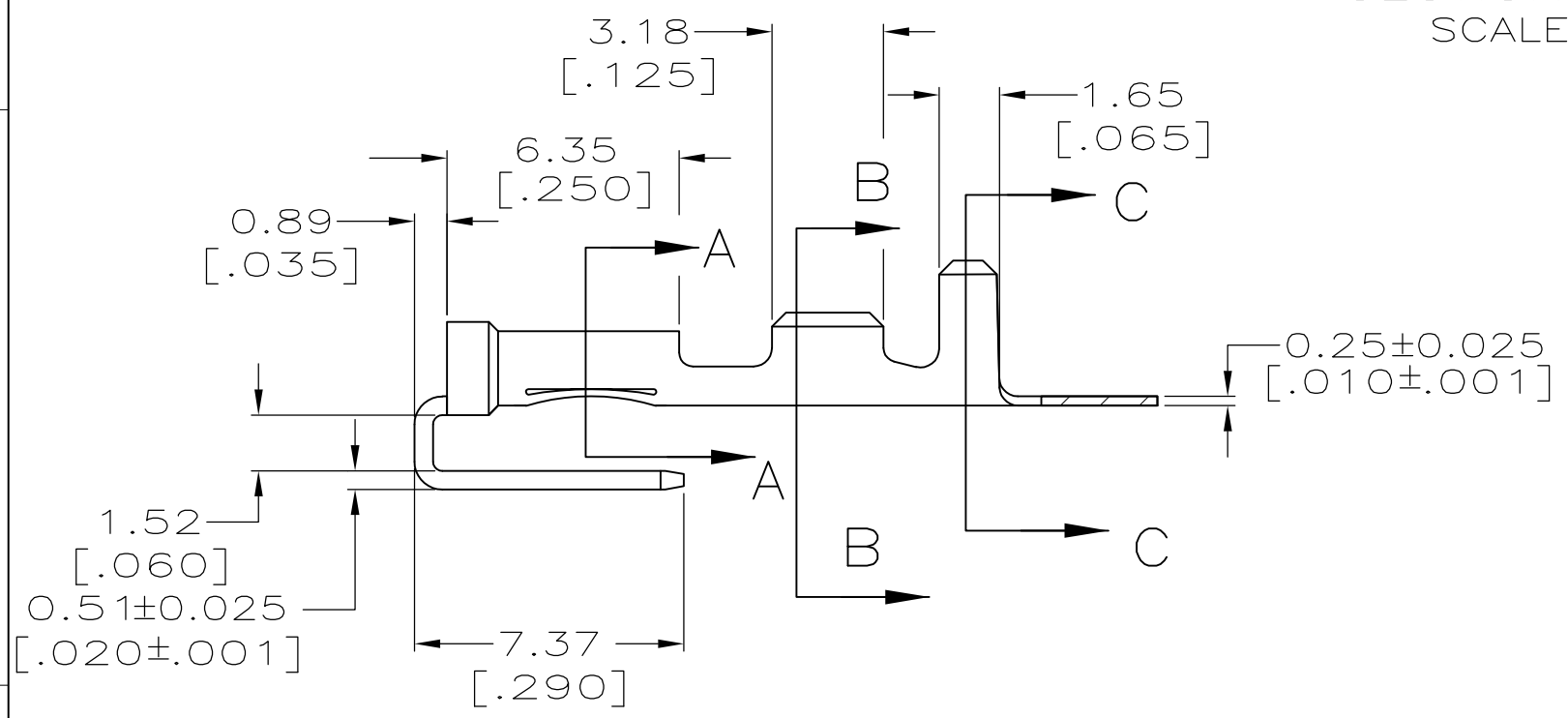
THIS DRAWING IS UNPUBLISHED. RELEASED FOR PUBLICATION
 © COPYRIGHT - By - ALL RIGHTS RESERVED.

LOC	DIST	REVISIONS			
P	LTR	DESCRIPTION	DATE	DWN	APVD
AF	50	B	REVISED PER ECR-12-013518	26NOV2012	KH PD

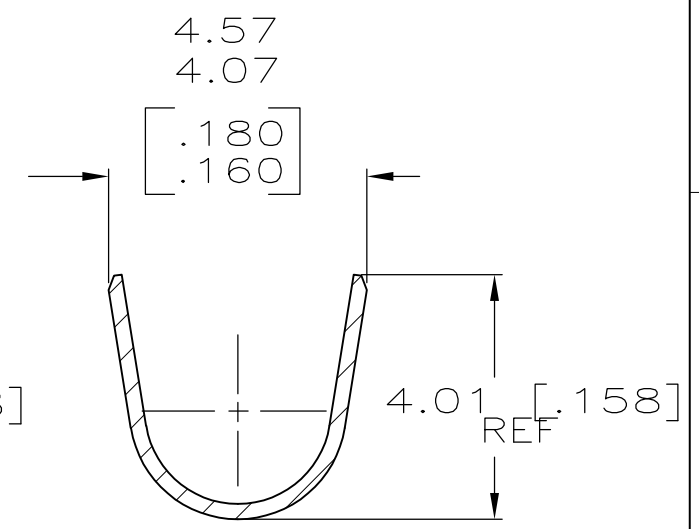
- CONTINUOUS STRIP ON REELS.
- MATING TAB THK IS 0.508 ± 0.025 OR 0.457 ± 0.025 [$0.020 \pm .001$ OR $.018 \pm .001$].
- WIRE SIZE IS [#22-#18] AWG.
- INSULATION RANGE IS 2.03-3.05 [$.080-.120$] DIA.



SECTION A-A
SCALE 8:1



SECTION B-B
SCALE 8:1



SECTION C-C
SCALE 8:1

1217083-1
PART NO.

THIS DRAWING IS A CONTROLLED DOCUMENT.		DWN	JR RUTH	4/22/98	TE Connectivity RECEPTACLE, FASTON, PIGGYBACK, 2.79 [.110] SERIES	NAME		RESTRICTED TO		
DIMENSIONS: mm [INCHES]		CHK	MS FEHER	4/22/98		PRODUCT SPEC			SIZE	
TOLERANCES UNLESS OTHERWISE SPECIFIED:		APVD	J GILLESPIE	4/22/98		APPLICATION SPEC				CAGE CODE
0 PLC ± -		PRODUCT SPEC		-		DRAWING NO				
1 PLC ± -		APPLICATION SPEC		-			C-1217083			
2 PLC ± 0.25 [.010]		WEIGHT		-				SCALE		
3 PLC ± -		CUSTOMER DRAWING		-					SHEET	
4 PLC ± -		SCALE		5:1		REV				
ANGLES ± -		SHEET		1 OF 1			B			
FINISH		-		-						
MATERIAL		BRASS		-						