

4

3

2

1

THIS DRAWING IS UNPUBLISHED.

RELEASED FOR PUBLICATION

© COPYRIGHT

ALL RIGHTS RESERVED.

LOC DIST

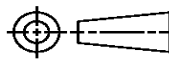
REVISIONS

| P | LTR | DESCRIPTION   | DATE      | DWN | APVD |
|---|-----|---------------|-----------|-----|------|
|   | A2  | ECR-16-009824 | 28JUL2016 | GK  | SD   |
|   |     |               |           |     |      |
|   |     |               |           |     |      |

# REPLACED BY OCEAN STYLE APPLICATOR PART NUMBER 2836223-2

FOR REPLACEMENT PARTS FOR APPLICATOR 1855667 REFER TO ADDITIONAL PAGE(S). SPARE PARTS KIT (IF LISTED) WILL REMAIN AVAILABLE.

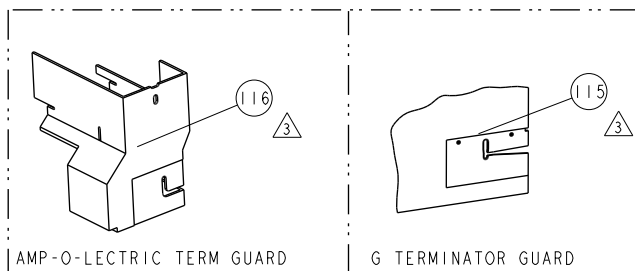
THE REPLACEMENT OCEAN STYLE APPLICATOR HAS THE SAME TERMINATOR/PRESS INTERFACE AS APPLICATOR 1855667

|   |  |  |                  |               |
|---|--|--|------------------|---------------|
| THIS DRAWING IS A CONTROLLED DOCUMENT.  |  | DWN                                    | GOPALAKRISHNA HV |               |
| DIMENSIONS:   |  | CHK                                    | GOPALAKRISHNA HV |               |
|  |  | APVD                                   | STOUGH DALE      |               |
|   |  | PRODUCT SPEC                           |                  |               |
| TOLERANCES UNLESS OTHERWISE SPECIFIED:  |  | APPLICATION SPEC                       |                  |               |
| 0 PLC ±   |  | SIZE                                   | CAGE CODE        | DRAWING NO    |
| 1 PLC ±   |  | A3                                     |                  | RESTRICTED TO |
| 2 PLC ±   |  | C- 1855667                             |                  |               |
| 3 PLC ±   |  | CUSTOMER ACCESSIBLE PRODUCTION DRAWING |                  |               |
| 4 PLC ±   |  | SCALE                                  | SHEET 1 OF 2     |               |
| ANGLES ±  |  | REV A2                                 |                  |               |
| FINISH  |  |  |                  |               |



FINE ADJUST SIDE FEED HDM APPLICATOR

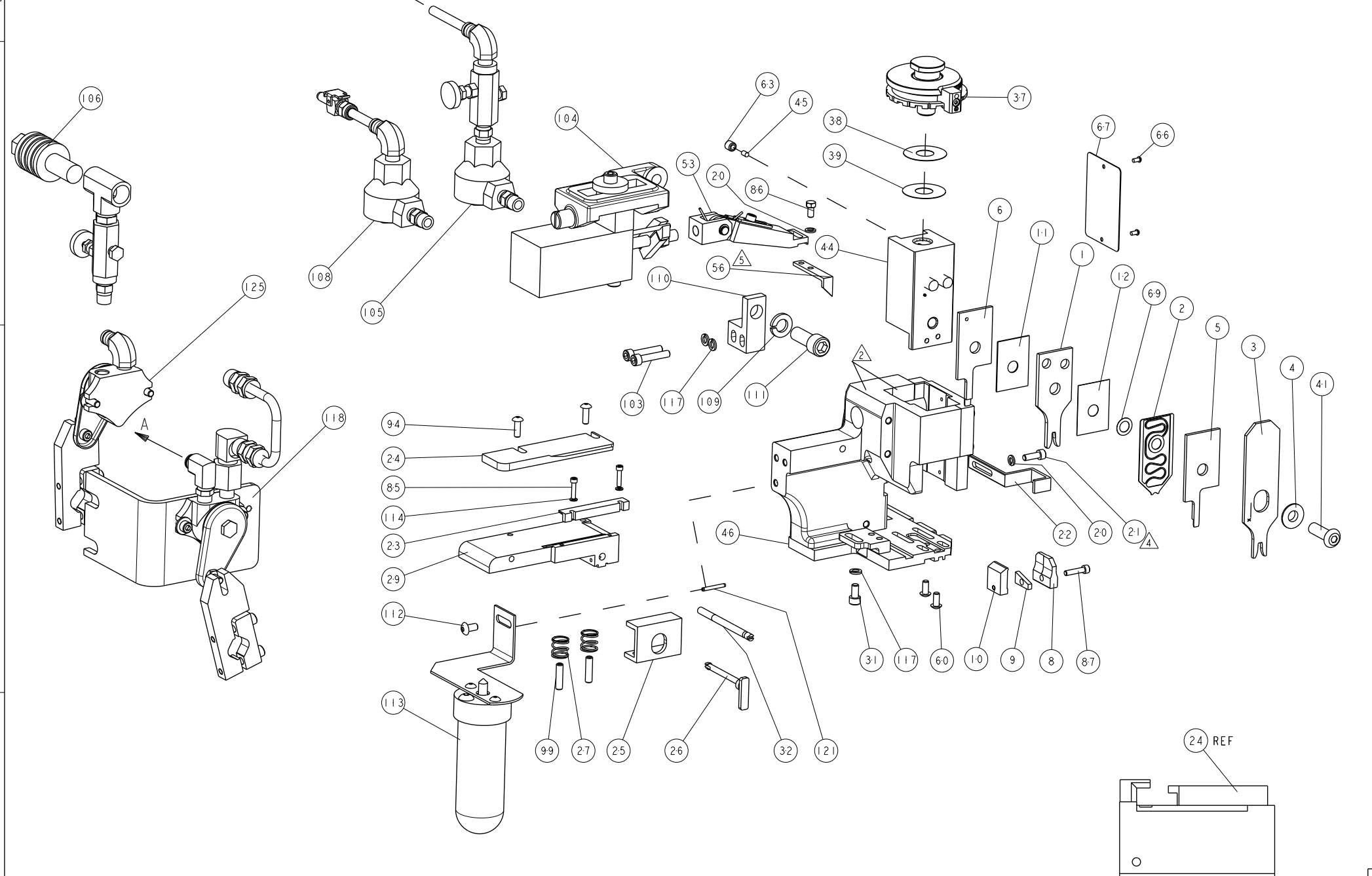
| PART NUMBER | REV | FIRST USED | POWER UNIT    | FEED TYPE | DESCRIPTION  |
|-------------|-----|------------|---------------|-----------|--------------|
| 1855667-1   | A   | 122500-1   | LEADMAKER     | AIR FEED  | CUTS CARRIER |
| 1855667-2   | A   | 565435-5   | BENCH MODEL K | AIR FEED  | CUTS CARRIER |
| 1855667-3   | A   | 354500-1   | BENCH MODEL G | AIR FEED  | CUTS CARRIER |
| 7-1855667-7 | A   | -          | -             | -         | SPARE PARTS  |



| TE TERMINAL - TE CRIMP SPECS |           |                                   |                   |
|------------------------------|-----------|-----------------------------------|-------------------|
| TE PN                        | CRIMP     | SIZE                              | RANGE             |
| 1-280050-2                   | -         | -                                 | -                 |
| 100644-4                     | -         | CRIMP HEIGHT                      | WIRE SIZE         |
| 280428-2                     | -         | 1.55mm±.05/.05 [ .061±.002/.002 ] | 1.5mm2            |
| 284697-1                     | -         | 1.47mm±.05/.05 [ .058±.002/.002 ] | 1mm2              |
| 280050-2                     | -         | 1.40mm±.05/.05 [ .055±.002/.002 ] | 18AWG or 0.75mm2  |
| 280428-4                     | -         | 1.32mm±.05/.05 [ .052±.002/.002 ] | 0.50mm2           |
| 2-280428-4                   | -         | -                                 | -                 |
| -                            | -         | WIRE                              | 2.54mm [ .100 ] F |
| -                            | -         | INSUL                             | 3.56mm [ .140 ] F |
| WIRE STRIP LENGTH            | 5.50-6.50 | TERM APPL SPEC                    | 114-20088         |
| FEED                         | 20.82     | APPLICATOR INSTRUCTIONS           | 408-8040          |
| SET UP GAGE                  | 458637-1  |                                   |                   |

| LOC | REV | DESCRIPTION   | DATE      | BY | APPV |
|-----|-----|---------------|-----------|----|------|
| A   | 66  | RELEASED      | 05SEP2012 | BH | BH   |
| A1  |     | ECR-13-018452 | 25NOV2013 | MY | TE   |

- 1 RECOMMENDED SPARE PARTS
- 2 GREASE LIGHTLY
- 3 GUARD MUST BE IN PLACE WHEN OPERATING APPLICATOR IN A BENCH MACHINE
- 4 INSTALL ITEMS 101, 102, 119 ON SIDE OF STRIPPER ON APPLICATOR HOUSING USING ITEM 21. ITEMS 101, 102 AND 119 ARE NOT SHOWN.
- 5 FEED TERMINAL OFF OF RECEPTACLE.
- 6 TERMINAL LUBRICANT IS RECOMMENDED.



| ITEM NO     | QTY | DESCRIPTION                          | ITEM NO |
|-------------|-----|--------------------------------------|---------|
| 455350-4    | 1   | AIR BLAST ASS'Y                      | 125     |
| 4-21028-0   | 1   | PIN, SLOTTED SPRING .094 X .750      | 121     |
| 27319-4     | 1   | TUBING 1/4" O.D.                     | 119     |
| 692655-6    | 1   | AIR FEED VALVE ASSEMBLY              | 118     |
| 21024-5     | 3   | WASHER, SPRG LOCK, REG NO 10         | 117     |
| 455749-1    | 1   | GUARD WINDOW                         | 116     |
| 679532-1    | 1   | INSERT, GUARD                        | 115     |
| 21024-2     | 2   | WASHER, SPRG LOCK, REG NO 4          | 114     |
| 1-465184-0  | 1   | LUBRICATOR ASSY                      | 113     |
| 2-21002-6   | 1   | SCR, BTN SKT HD CAP 10-32 X .375     | 112     |
| 3-21001-5   | 1   | SCR, SKT HD CAP 3/8-16 X 1.000       | 111     |
| 459610-1    | 1   | MOUNT, FEED BRACKET                  | 110     |
| 21024-8     | 1   | WASHER, SPRG LOCK, REG 3/8           | 109     |
| 692655-7    | 1   | AIR FEED VALVE ASSEMBLY              | 108     |
| 24042-2     | 1   | VALVE, SLEEVE, 3-WAY                 | 106     |
| 692655-5    | 1   | AIR FEED VALVE ASSEMBLY              | 105     |
| 461065-1    | 1   | ASSEMBLY, AIR FEED                   | 104     |
| 3-21000-9   | 2   | SCR, SKT HD CAP 10-32 X 1.000        | 103     |
| 986220-3    | 1   | CLAMP, CABLE, BLACK                  | 102     |
| 23238-1     | 1   | INSERT, COUPLING                     | 101     |
| 5-21006-6   | 2   | SCR, SET, CUP POINT 10-32 X .750     | 99      |
| 2-21002-2   | 2   | SCR, BTN SKT HD CAP 8-32 X .500      | 94      |
| 1-21002-7   | 1   | SCR, BTN SKT HD CAP 6-32 X .375      | 91      |
| 2-21000-1   | 1   | SCR, SKT HD CAP 6-32 X .625          | 87      |
| 2-22603-0   | 1   | SCR, HEX HD CAP 8-32 X .312          | 86      |
| 1-21000-5   | 2   | SCR, SKT HD CAP 4-40 X .500          | 85      |
| 4088040     | 1   | SF APPL INST 408-8040                | 72      |
| 217238-1    | 1   | GENERAL INSTRUCTION PKG              | 71      |
| 2119943-1   | 1   | WASHER, SPACER                       | 69      |
| 461264-5    | 1   | PLATE, IDENTIFICATION                | 67      |
| 21017-2     | 2   | SCREW, DRIVE                         | 66      |
| 21009-2     | 1   | SCR, SET, SELF LOCKING 1/4-20 X .250 | 63      |
| 22733-8     | 2   | SCR, BHSC, SELF-LOCKING, 8-32 X .375 | 60      |
| 458537-2    | 1   | PAWL, FEED                           | 56      |
| 461062-1    | 1   | FEED FINGER ASSEMBLY                 | 53      |
| 2-1633399-2 | 1   | APPL., BASIC AIR FEED SUB ASSY       | 46      |
| 690191-1    | 1   | PLUG, NYLON                          | 45      |
| 2-455673-1  | 1   | RAM, SIDE FEED                       | 44      |
| 690686-2    | 1   | CRIMPER, BOLT SPECIAL                | 41      |
| 690125-1    | 1   | SHIM SUB-ASSY                        | 39      |
| 469367-1    | 1   | SHIM                                 | 38      |
| 879103-2    | 1   | FINE ADJUST HEAD ASSEMBLY            | 37      |
| 690432-3    | 1   | ADJUSTMENT SCREW                     | 32      |
| 3-21000-4   | 1   | SCR, SKT HD CAP 10-32 X .375         | 31      |
| 455671-1    | 1   | PLATE, STRIP GUIDE                   | 29      |
| 22284-1     | 2   | SPRING, COMPRESSION                  | 27      |
| 690546-1    | 1   | LEVER, DRAG RELEASE                  | 26      |
| 690792-3    | 1   | DRAG, STOCK                          | 25      |
| 1-690440-8  | 1   | GUIDE, REAR STRIP                    | 24      |
| 690712-2    | 1   | FRONT STRIP GUIDE                    | 23      |
| 1-458230-1  | 1   | STRIPPER                             | 22      |
| 2-21000-7   | 1   | SCR, SKT HD CAP 8-32 X .500          | 21      |
| 21024-4     | 2   | WASHER, SPRG LOCK, REG NO 8          | 20      |
| 455888-1    | 1   | SPACER, CRIMPER                      | 12      |
| 455888-6    | 1   | SPACER, CRIMPER                      | 11      |
| 690787-1    | 1   | SHEAR PLATE                          | 10      |
| 690790-1    | 1   | BLOCK, SHEAR SPACER                  | 9       |
| 454639-5    | 1   | ANVIL, SPECIAL                       | 8       |
| -           | -   | -                                    | 7       |
| 3-853720-0  | 1   | BLADE, SLUG                          | 6       |
| 1-853721-1  | 1   | BLADE, SLUG                          | 5       |
| 238009-4    | 1   | BLOCK, FL CRIMPER SPACER             | 4       |
| 3-683453-1  | 1   | CRIMPER, INSULATION PREMIUM          | 3       |
| 2119791-9   | 1   | DEPRESSOR, WIRE                      | 2       |
| 456407-8    | 1   | CRIMPER, WIRE PREMIUM                | 1       |

THIS DRAWING IS A CONTROLLED DOCUMENT. OWN: STAKEM 14FEB2012. CHK: ELBIN 14FEB2012. APVD: G. BALLEY 14FEB2012. NAME: G. BALLEY. PRODUCT SPEC: FINE ADJUST SIDE FEED HDM APPLICATOR. APPLICATION SPEC: -. SIZE: A1. CAGE CODE: 00779. DRAWING NO: 1855667. RESTRICTED TO: -. MATERIAL: -. FINISH: -. WEIGHT: -. HEIGHT: -. SCALE: 3:5. SHEET: 1 OF 1. REV: A1.