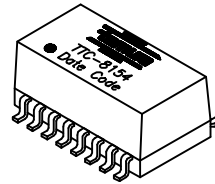




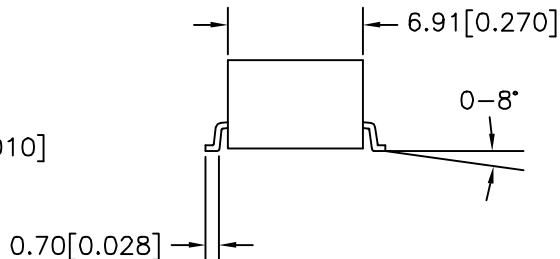
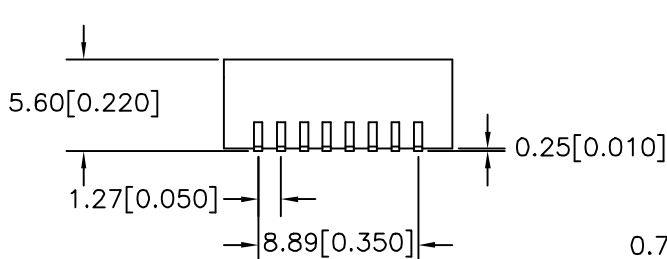
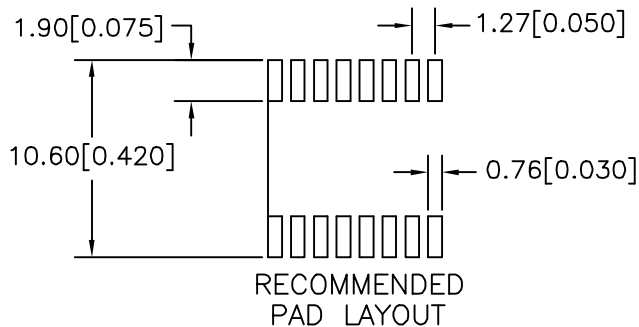
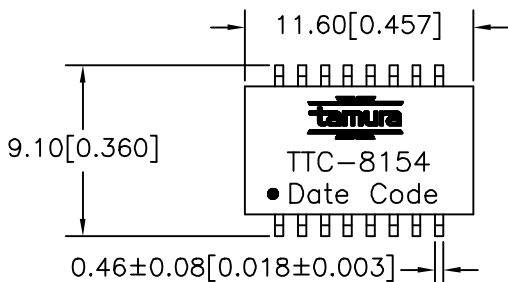
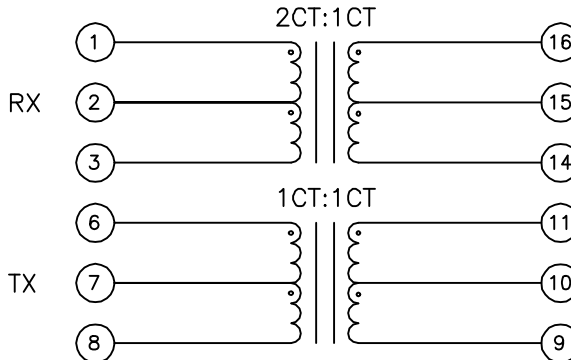
10 Base-T LAN Magnetic Module Single Port, 16 pin SOIC

MODEL NUMBER
TTC-8154

- Complies with IEEE 802.3 Standard
- Surface Mount Device withstands IR reflow profile process



| Electrical Specification @ 25°C | | | | |
|---------------------------------|---|-----------------|---|-----------------------------|
| DCR (Ω Max) | OCL (μH Min) | Hipot (Vrms) | Leakage L (μH Max) | C _{ww} (pF Max) |
| (16-14), (6-8) | (16-14), (6-8), 100KHz 0.1Vrms | 60 sec | (16-14), (6-8), 100KHz 0.1Vrms | 100KHz 0.1Vrms |
| 0.3 | 80 | 1500 | 0.3 | 10 |



PREPARED BY:

D. Rund

ENGINEER:

L. Le

QUALITY CONTROL:

D. Kelley

APPROVED:

J. Coleman

NOTE: Unless otherwise specified, all dimensions are mm[in] with tolerance of ±0.25[0.010]

| | | | |
|---|-------------------|---|--|
| DWG CONTROL NO. P-A1-12975 ACAD\TTC\A1129751.DWG | REV PRE | 10 Base-T LAN Magnetic Module Single Port, 16 pin SOIC | <h2>TTC-8154</h2> <p>MODEL SPECIFICATION</p> |
| <p>TAMURA CORPORATION OF AMERICA 43352 BUSINESS PARK DRIVE, TEMECULA, CA. 92590-6624 (909) 699-1270 FAX 9096769482</p> | | | |
| <p>CONTENTS OF THIS DRAWING ARE SUBJECT TO CHANGE WITHOUT PRIOR NOTICE</p> | | | |
| <p>PROPRIETARY NOTICE: THIS DRAWING PRINT OR DOCUMENT AND SUBJECT MATTER DISCLOSED HEREIN ARE PROPRIETARY ITEMS TO WHICH TAMURA RETAINS THE EXCLUSIVE RIGHT OF DISSEMINATION, REPRODUCTION, MANUFACTURE AND SALE. THIS DRAWING, PRINT OR DOCUMENT IS SUBMITTED IN CONFIDENCE FOR CONSIDERATION BY THE RECIPIENT ALONE UNLESS PERMISSION FOR FURTHER DISCLOSURE IS EXPRESSLY GRANTED IN WRITING.</p> | | | |