

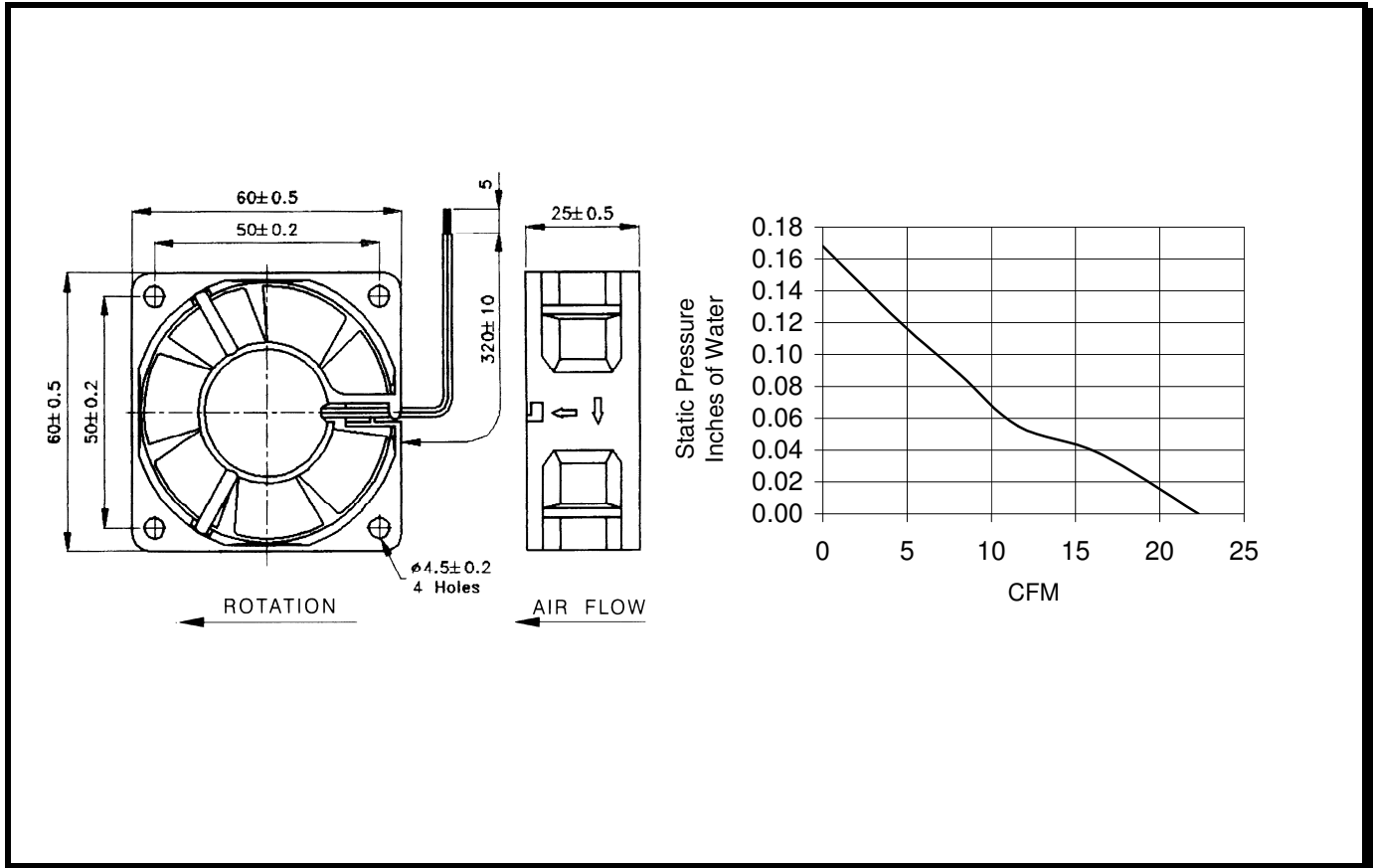
SPECIFICATIONS



Model Number: CR0612HB-A70GL
Part Number: 032704

August 5, 2005

Mechanical Drawing:



Motor:

Nominal Voltage = 12 vdc
Operating Voltage Range = 10.8 - 13.2 vdc
Nominal Running Current = 0.230 amps
Running Power = 2.76 watts
Average Speed = 4500 rpm
Bearings = Ball
Air Flow = 23.2 cfm
Acoustic = 32.3 dBA

Construction:

Venturi: Plastic, Black, UL 94V-0
Propeller: Plastic, Black, UL 94V-0

Agency Approval:

UL, cUR, TUV

Additional Features:

Brushless DC Motor
Locked Rotor Protection
Polarity Protected
Automatic Restart Capability
Operating Temperature: -10°C to 70°C
Storage Temperature: -40°C to 85°C

Termination:

320mm Lead wires, 24 AWG, UL 1061
Red - Fan Power
Black - Fan Return

Life Expectancy:

This fan is designed for continuous duty life of 50,000 hours at 25°C .