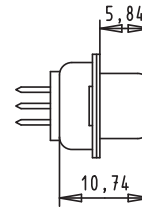
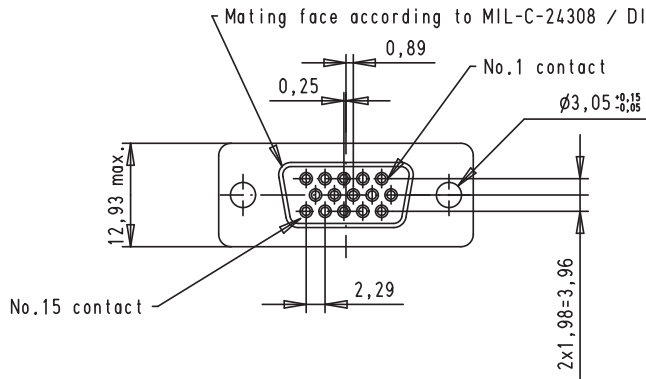
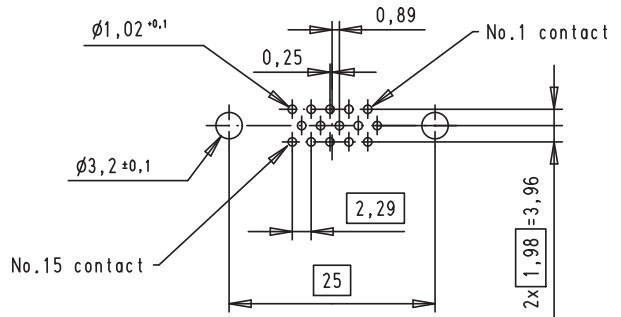
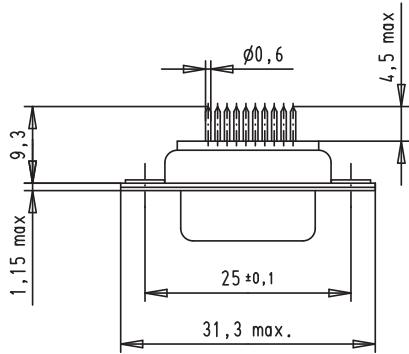



Alle Rechte vorbehalten/ All rights reserved



Printed layout component side



					Det.	Name	 All Dim. in mm Orig. Size DIN A 4	Dsub, 15 poles, female, straight solder pins, through holes	Maßstab/ Scale 1.5:1	
					Detail.	16-SEP-02				CV
					Insp.					
					Stand.					
09561515500	0.76 μm Au	36183	13-OCT-10	BH	HARTING EURL			TB 0956151x500	Blatt/ Page 1 /	
09561517500	3	31352	16-OCT-02	S.H.	F-95972 Paris					
Part number	Performance level	Mod.	Det.	Name	