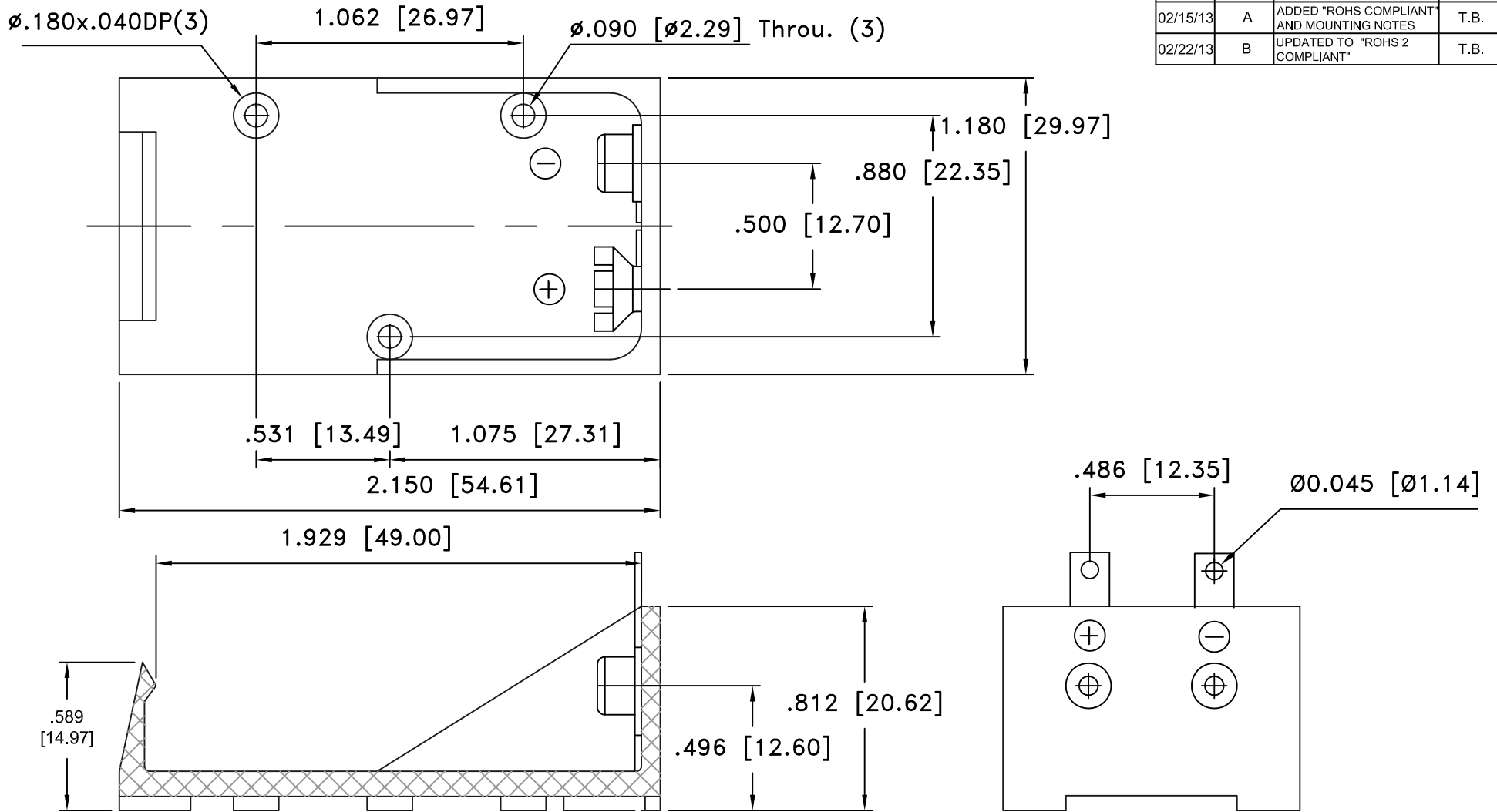



Date	SYM	REVISION RECORD	AUTH	DR.	CK.
02/15/13	A	ADDED "ROHS COMPLIANT" AND MOUNTING NOTES	T.B.	B.S.	
02/22/13	B	UPDATED TO "ROHS 2 COMPLIANT"	T.B.	B.S.	



NOTE:  
ROHS 2 COMPLIANT

MOUNTING INSTRUCTION:  
USE 2-56 MACHINE SCREWS OR EYELETS 0.089" OD BY 0.15" FLANGE STIMPSON GS-3 SERIES OR EQUIVALENT. ALSO ADHESIVES AND DOUBLE SIDED TAPES WORK WELL.

Tolerance (Except as noted)		 <b>Memory Protection Devices, Inc</b> 200 Broad Hollow Road, Farmingdale, New York 11735	
decimal	±.020 (.5)	Scale	Drawn By T.S.
		2=1	Approved By T.B.
Fractional	± .030 (.8)	Title	
		BH9VL ASSEMBLY	
Angular	± 3°	Date	Drawing Number
		02/22/13	BH9VL

PART	DESCRIPTION	MATERIAL
WASHER	INSULATOR	RUBBER
HOLDER	HOLDER UL94V-0, FILE No. E56070 (S)	HIGH IMPACT ABS BLACK, UL94V-0
CONTACTS	BRASS SNAPS	NICKEL PLATED BRASS