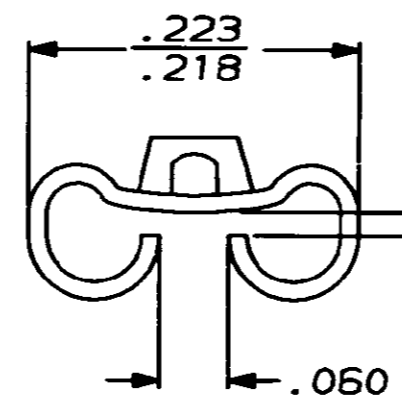
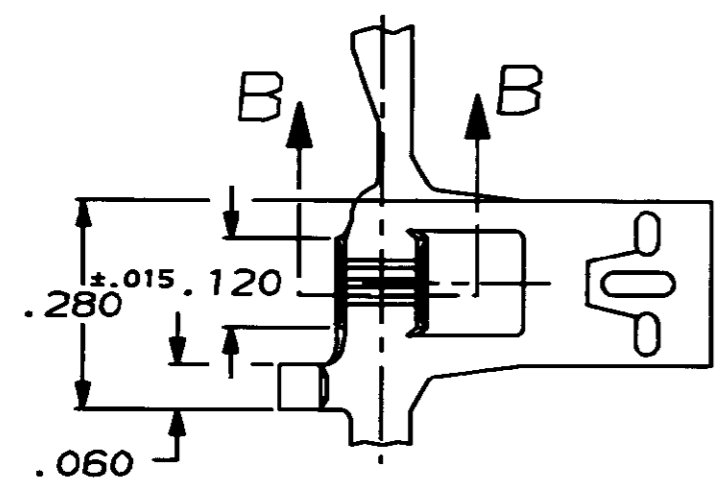


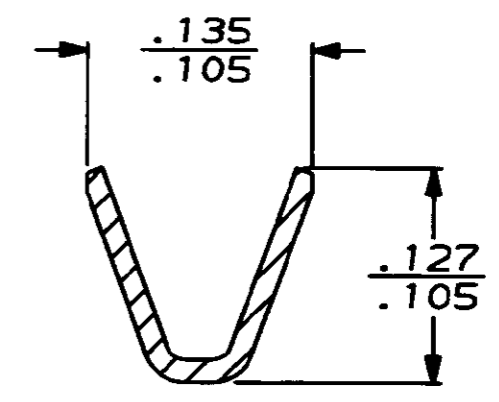
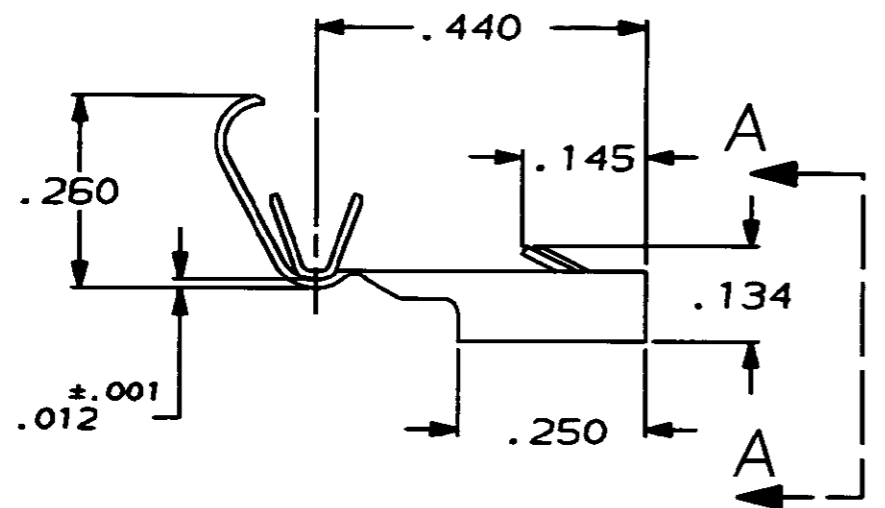
THIS DRAWING IS UNPUBLISHED. RELEASED FOR PUBLICATION, 19 .  
 © COPYRIGHT 19 BY AMP INCORPORATED. ALL INTERNATIONAL RIGHTS RESERVED.

|     |      |   |   |           |     |                 |        |      |
|-----|------|---|---|-----------|-----|-----------------|--------|------|
| LOC | DIST | P | F | REVISIONS |     |                 | DATE   | APPD |
| AF  | 50   |   |   | ZONE      | LTR | DESCRIPTION     |        |      |
|     |      |   |   |           | C   | REVISED AF-8048 | 9/3/92 | JR   |



FITS .187 SERIES FASTON™ TAB

1 CONTINUOUS STRIP ON REEL



|                    |       |                    |                   |       |              |      |
|--------------------|-------|--------------------|-------------------|-------|--------------|------|
| 0                  | .140  | .188               | F                 | .090  | .057         | 16   |
|                    |       |                    |                   |       | .050         | 18   |
|                    |       |                    |                   |       | .045         | 20   |
| TYPE               | WIDTH | STRIP LENGTH ±.015 | TYPE              | WIDTH | ±.002 HEIGHT | WIRE |
| INSUL BARREL CRIMP |       |                    | WIRE BARREL CRIMP |       |              |      |

|   |  |   |                  |
|---|--|---|------------------|
| .060-.110   | 20-16  | .020  | 63509-1          |
| INSULATION RANGE  | WIRE SIZE  | MATING TAB THK ±.001                          | PART NO          |
| DO NOT SCALE PRINT. UNLESS SPECIFIED DIMENSIONS IN INCHES TOLERANCES ON:<br>2 PLC DEC ± -<br>3 PLC DEC ± .010<br>ANGLES ± - | DR 8/5/88<br>JR RUTH<br>CHK 8/5/88<br>HS FBER<br>APPD 8/5/88<br>J GILLESPIE<br>APPD 8/5/88<br>R KLZD<br>PRODUCT SPEC - | AMP INCORPORATED<br>Harrisburg, Pa. 17105     |                  |
| MATERIAL #4H BRASS  | FINISH PRE-TIN .000030 MIN   | RECEPTACLE, FASTIN-FASTON,™ FLAG, .187 SERIES |                  |
|   | APPLICATION SPEC -   | SIZE B  | FSCN NO 00779    |
|   | WEIGHT -   | SCALE 4:1                                     | DRAWING NO 63509 |
|   |  |   | SHEET 1 OF 1     |