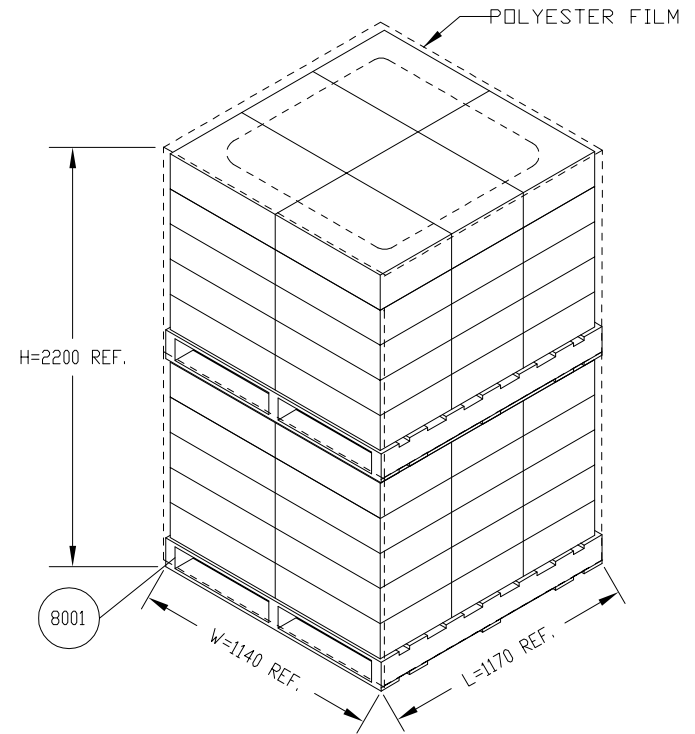
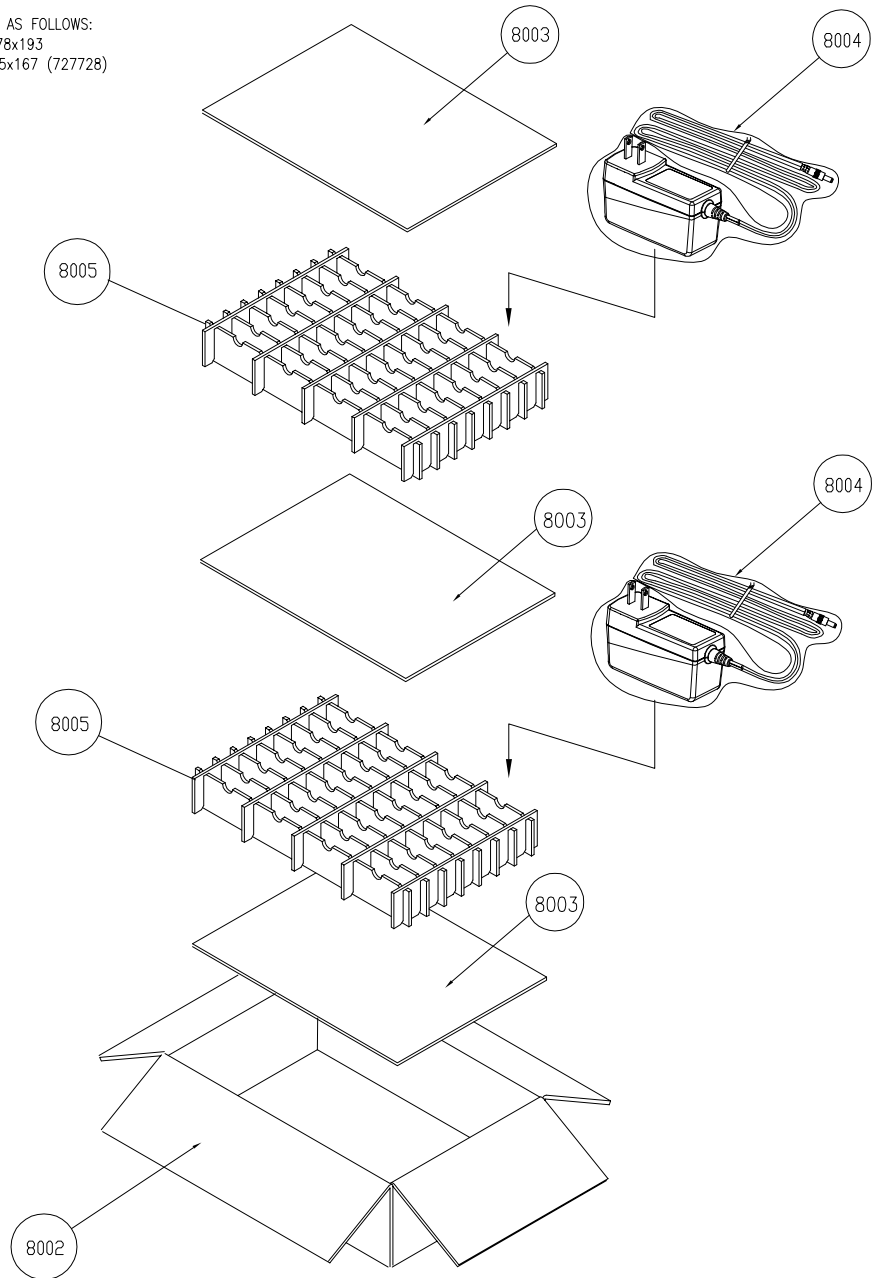


NOTES:
 CARTON DIMENSIONS AS FOLLOWS:
 1.OD(WxLxH)=556x378x193
 2.ID(WxLxH)=543x365x167 (727728)



PALLET ASS'Y DRAWING:

PART NAME	QUANTITY
CARTON	1 CARTON= 56 UNITS
PALLET	1 PALLET= 5 LAYERS = 30 CARTONS = 1680 UNITS
POLYESTER FILM	2 LAYERS MIN.
40 FT CONTAINER	1 CONTAINER= 40 PALLETS
20 FT CONTAINER	1 CONTAINER= 20 PALLETS