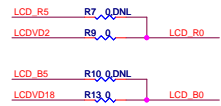
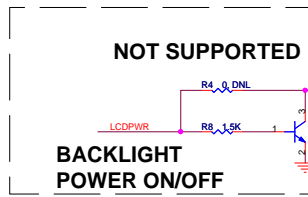


REVISION HISTORY		
REV	DATE	DESCRIPTION
2.1	4/27/09	ADD 100K PDN TO XP

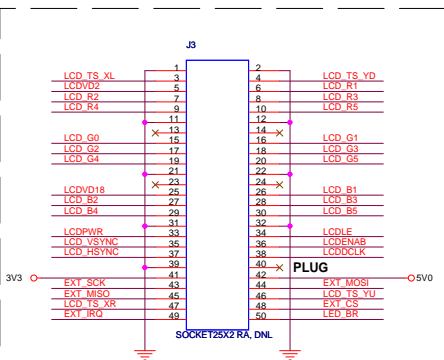
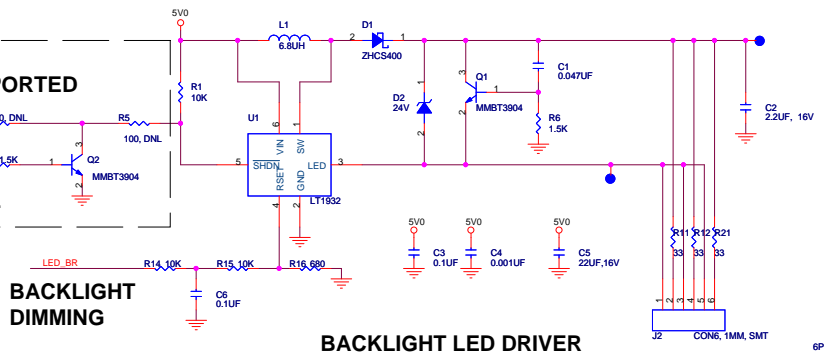


16/18-BIT SELECTION
DEFAULT 16-BIT WITH INTENSITY



BACKLIGHT DIMMING

BACKLIGHT LED DRIVER

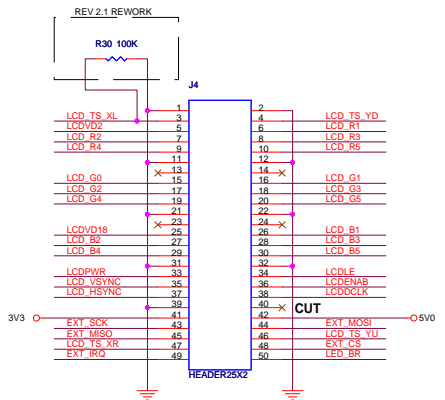


BRD-TO-BRD (FEMALE RA)

NOTE: PLUG PIN 40 FOR KEYING



OPTION FOR NXP WORKSHOPS

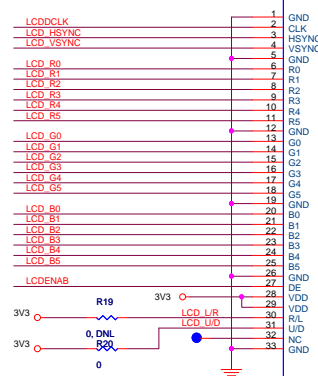


BRD-TO-BRD (MALE FOR RIBBON)

NOTE: CUT PIN 40 FOR KEYING



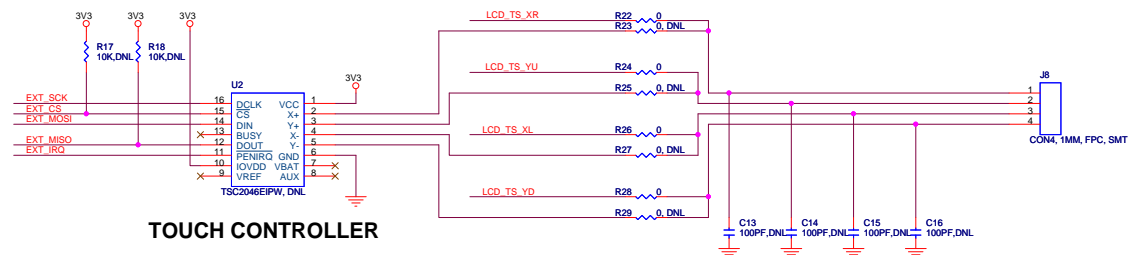
NOTE: PLUG PIN 40 FOR KEYING ON BOTH ENDS



CON33, 0.5MM SMT



NOTE: 33PIN CABLE MUST BE CREATED BY MODIFYING A 36PIN CABLE



TOUCH CONTROLLER

