

ZWS240PAF Series

Instruction Manual

BEFORE USING THE POWER SUPPLY UNIT

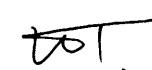


Pay attention to all warnings and cautions before using the unit. Incorrect usage could lead to an electrical shock, damage to the unit or a fire hazard.

WARNING and CAUTION

- Do not modify.
- Do not touch the internal components, they may have high voltage or high temperature. You may get electrical shock or burned.
- When the unit is operating, keep your hands and face away from it, you may get injured by an accident.
- This power supply is primarily designed and manufactured to be used and enclosed in other equipment. Stick the WARNING label for users on the system equipment and describe the notice in the instruction manual.
- Never operate the unit under over current or shorted conditions for 30 seconds or more and out of Input Voltage Range in specification which could result in damage or insulation failure or smoking or burning.
- Confirm connections to input/output terminals are correct as indicated in the instruction manual.
- This power supply is PC board type unit. Please hold the board edge while mounting, and do not touch the component side. Please lift the power supply with a spacer when mounting the power supply on any surface.
- Do not drop or apply shock to power supply unit.
- This power supply is capable of providing hazardous energy output (240VA), the end equipment manufacturer must provide protection to service personal against inadvertent contact with output terminals. These terminals must not be user accessible.
- This power supply has a possibility that hazardous voltage may occur in output terminal depending on failure mode. The outputs of these products must be earthed in the end use equipment to maintain SELV. If the outputs are not earthed, it must be considered hazardous and must not be made user accessible
- Do not use the product in the environment with strong electromagnetic field, corrosive gas and conductive substance.

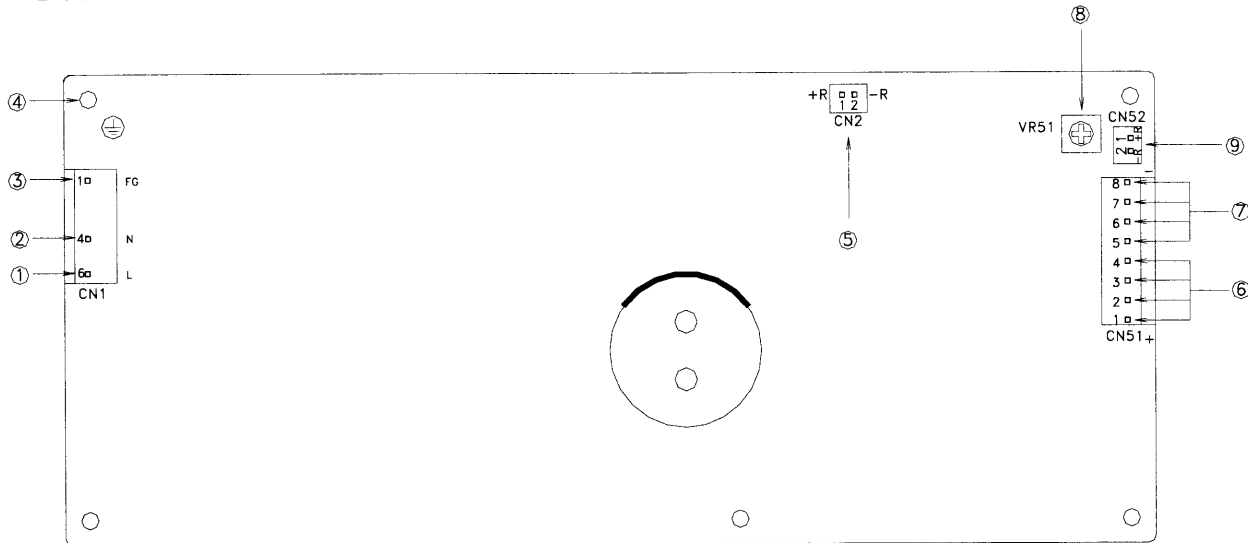
Note: CE MARKING

CE Marking, when applied to a product covered by this handbook indicates compliance with the low voltage directive (2006/95/EC) in that it complies with EN60950-1.

DWG NO. : CA724-04-01C		
APPD	CHK	DWG
 25/Jan/08	 24/Jan/2008	 24-Jan-'08

1. Terminal Explanation

1-1. ZWS240PAF



- ① L: AC Input terminal (pin 6 of CN1)
Live line (fuse in line)
- ② N: AC input terminal (pin 4 of CN1)
Neutral line
- ③ FG: Input terminal FG (pin 1 of CN1)
Safety earth (Frame Ground)
Connect to safety ground of apparatus or equipment.
- ④ FG: Frame Ground (Connected to pin 1 of CN1)
Must be connected to electrically safety ground of apparatus or equipment by electrically conductive spacers. The mounting surface of the spacer should be within MAX 8mm.
- ⑤ CN2: ON/OFF control terminal (primary circuit)
See NOTE A
- ⑥ +: +Output terminal
- ⑦ -: - Output terminal
- ⑧ V.ADJ: Output voltage adjust trimmer (VR51)
The output voltage rises when a trimmer is turned clockwise.
- ⑨ CN52: ON/OFF control terminal (secondary circuit)
(For power supply output on and off control with an external signal.)
See NOTE A

*Input & Output connector (MOLEX)
(also for option model /L,/A)

	Connector	Housing	Terminal Pin
Input (CN1)	5414-30B	5195-06	5194PBT
Output (CN51)	5273-08A	5195-06	5194PBT

*Output Current of each connector pin must be less than 5A.

*Hand Crimping Tooling : 11-26-0058 (MOLEX)

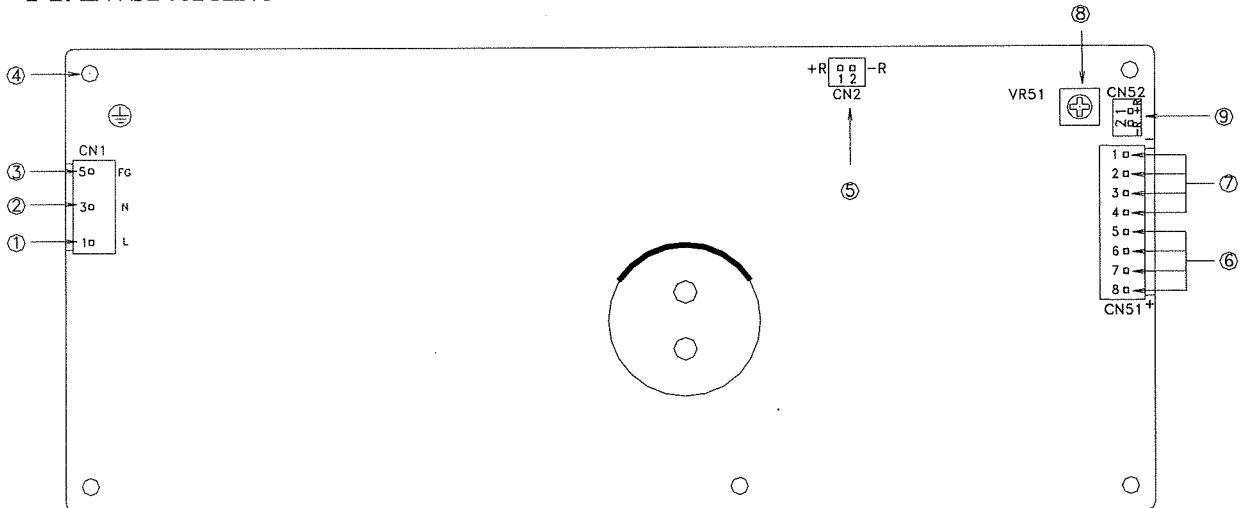
*Connector for Remote ON/OFF control: CN2, CN52 (J.S.T)
*CN2 is normally shorted by JM-2W-96 (J.S.T)

Connector	Housing	Terminal Pin
B2B - XH - AM	XHP - 2	BXH - 001T - P0.6 or SXH - 001T - P0.6

*Hand Crimping Tool: YC-110R (J.S.T) or YRS-110 (J.S.T)

NOTE A: For COVER & CHASSIS type (MODEL: ZWS240PAF/A), remote ON/OFF control cannot be used.

1-2. ZWS240PAF/J



- ① L: AC Input terminal (pin 1 of CN1)
Live line (fuse in line)
- ② N: AC input terminal (pin 3 of CN1)
Neutral line
- ③ FG: Input terminal FG (pin 5 of CN1)
Safety earth (Frame Ground)
Connect to safety ground of apparatus or equipment.
- ④ FG: Frame Ground (Connected to pin 5 of CN1)
Must be connected to electrically safety ground of apparatus or equipment by electrically conductive spacers. The mounting surface of the spacer should be within MAX 8mm.
- ⑤ CN2: ON/OFF control terminal (primary circuit)
See NOTE A
- ⑥ +: +Output terminal
- ⑦ -: - Output terminal
- ⑧ V.ADJ: Output voltage adjust trimmer (VR51)
The output voltage rises when a trimmer is turned clockwise.
- ⑨ CN52: ON/OFF control terminal (secondary circuit)
(For power supply output on and off control with an external signal.)
See NOTE A

*Input & Output connector (J.S.T)
(also for option model /JL,JA)

	Connector	Housing	Terminal Pin
Input (CN1)	B3P-5-VH	VHR-5N	SVH-21T-P1.1
Output (CN51)	B8P-VH	VHR-8N	SVH-21T-P1.1

*Output Current of each connector pin must be less than 5A.

*Hand Crimping Tool : YC-160R (J.S.T)

*Connector for Remote ON/OFF control: CN2, CN52 (J.S.T)

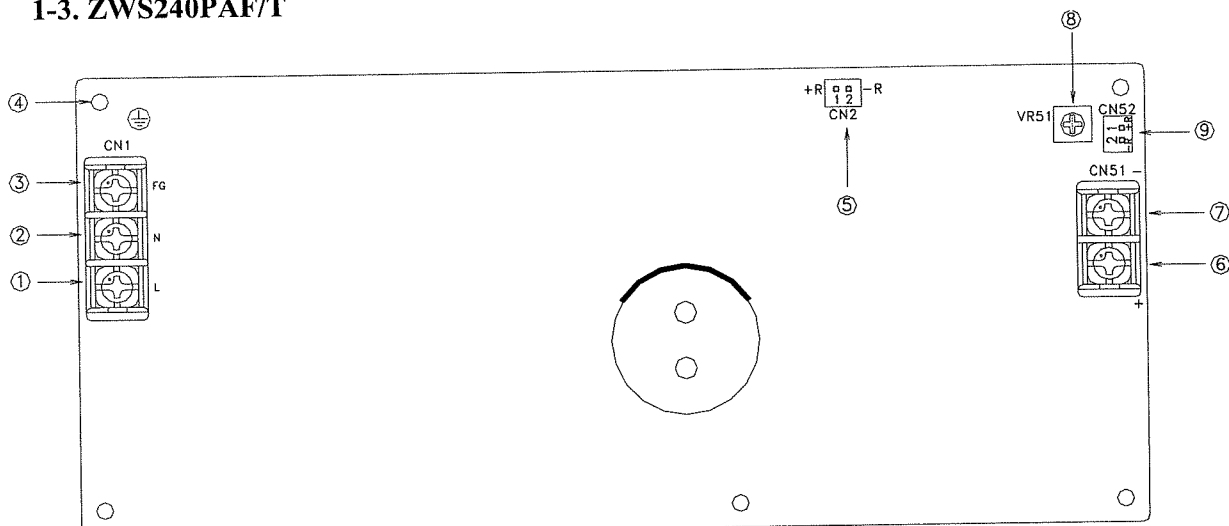
Connector	Housing	Terminal Pin
B2B - XH - AM	XHP - 2	BXH - 001T - P0.6 or SXH - 001T - P0.6

*CN2 is normally shorted by JM-2W-96 (J.S.T)

*Hand Crimping Tool: YC-110R (J.S.T) or YRS-110 (J.S.T)

NOTE A: For COVER & CHASSIS type (MODEL: ZWS240PAF/JA), remote ON/OFF control cannot be used.

1-3. ZWS240PAF/T



- ① L: AC Input terminal L (M4 screw)
Live line (fuse in line)
- ② N: AC input terminal N (M4 screw)
Neutral line
- ③ FG: Input terminal FG (M4 screw)
Safety earth (Frame Ground)
Connect to safety ground of apparatus or equipment.
- ④ FG: Frame Ground
Must be connected to electrically safety ground of apparatus or equipment by electrically conductive spacers. The mounting surface of the spacer should be within MAX 8mm.
- ⑤ CN2: ON/OFF control terminal (primary circuit)
See NOTE A
- ⑥ +: +Output terminal (M4 screw)
- ⑦ -: - Output terminal (M4 screw)
- ⑧ V.ADJ: Output voltage adjust trimmer (VR51)
The output voltage rises when a trimmer is turned clockwise.
- ⑨ CN52: ON/OFF control terminal (secondary circuit)
(For power supply output on and off control with an external signal.)
See NOTE A

* Input & Output connector (EMUDEN)
(also for option model /TL,/TA)

	Connector
Input (CN1)	T6957-A
Output (CN51)	T7094-A

*Connector for Remote ON/OFF control: CN2, CN52 (J.S.T)

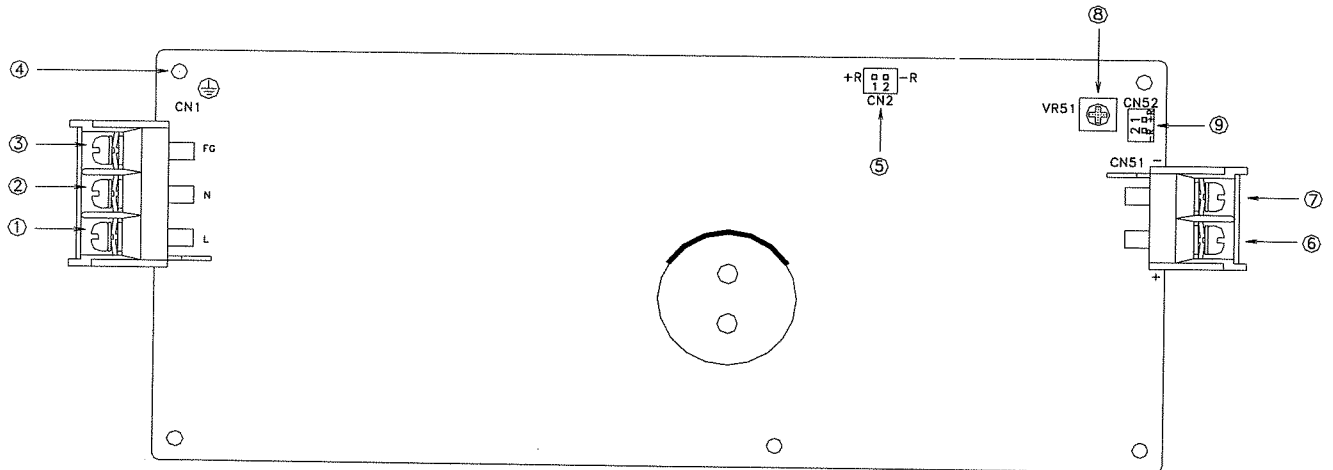
Connector	Housing	Terminal Pin
B2B - XH - AM	XHP - 2	BXH - 001T - P0.6 or SXH - 001T - P0.6

*CN2 is normally shorted by JM-2W-96 (J.S.T)

*Hand Crimping Tool: YC-110R (J.S.T) or YRS-110 (J.S.T)

NOTE A: For COVER & CHASSIS type (MODEL: ZWS240PAF/TA), remote ON/OFF control cannot be used.

1-4. ZWS240PAF/S



- ① L: AC Input terminal L (M4 screw)
Live line (fuse in line)
- ② N: AC input terminal N (M4 screw)
Neutral line
- ③ FG: Input terminal FG (M4 screw)
Safety earth (Frame Ground)
Connect to safety ground of apparatus
or equipment.
- ④ FG: Frame Ground
Must be connected to electrically safety
ground of apparatus or equipment by
electrically conductive spacers. The
mounting surface of the spacer should be
within MAX 8mm.
- ⑤ CN2: ON/OFF control terminal (primary circuit)
See NOTE A
- ⑥ +: +Output terminal (M4 screw)
- ⑦ -: - Output terminal (M4 screw)
- ⑧ V.ADJ: Output voltage adjust trimmer (VR51)
The output voltage rises when a trimmer is
turned clockwise.
- ⑨ CN52: ON/OFF control terminal (secondary circuit)
(For power supply output on and off control
with an external signal.)
See NOTE A

*Input & Output connector (EMUDEN)
(also for option model /SL,/SA)

	Connector
Input (CN1)	T6969-A
Output (CN51)	T7093-A

*Connector for Remote ON/OFF control: CN2, CN52 (J.S.T)

Connector	Housing	Terminal Pin
B2B - XH - AM	XHP - 2	BXH - 001T - P0.6 or SXH - 001T - P0.6

*CN2 is normally shorted by JM-2W-96 (J.S.T)

*Hand Crimping Tool: YC-110R (J.S.T) or YRS-110 (J.S.T)

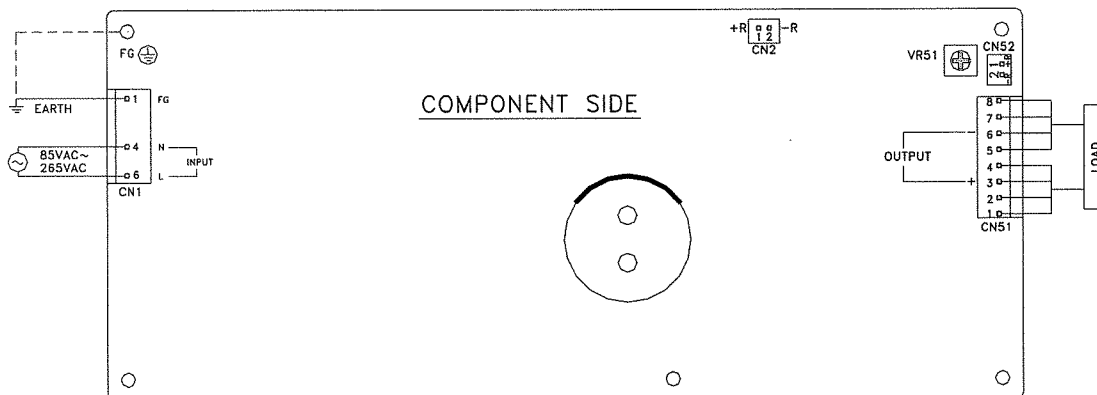
NOTE A: For COVER & CHASSIS type (MODEL: ZWS240PAF/SA), remote ON/OFF control cannot be used.

2. Terminal Connecting Method

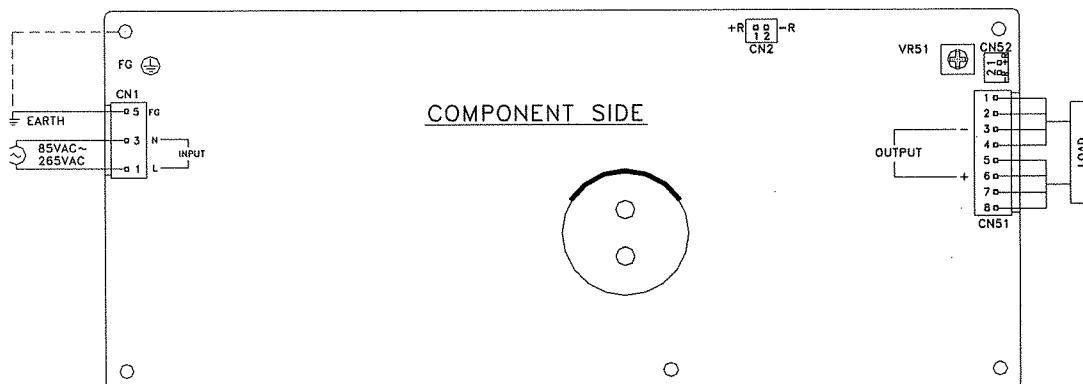
Pay attention to the input wiring. If it is connected to wrong terminal, the power supply will be damaged.

- Input must be off when making connections.
- Connect FG terminal of input connector and mountable FG to ground terminal of the equipment.
- Output current of each connector pin must be less than 5A. (Except /T, /S models which M4 screw is used.)
- The output load line and input line shall be separated and twisted to improve noise sensitivity.
- Remote ON/OFF control lines shall be twisted or use shielded wire.
- Use the input/output connector housing, terminal pin as specified in outline drawing. Also, use recommended crimping tool.
Connector housing and terminal pin is not included with this product.
- When connecting or removing connector, do not apply stress to PCB.

ZWS240PAF

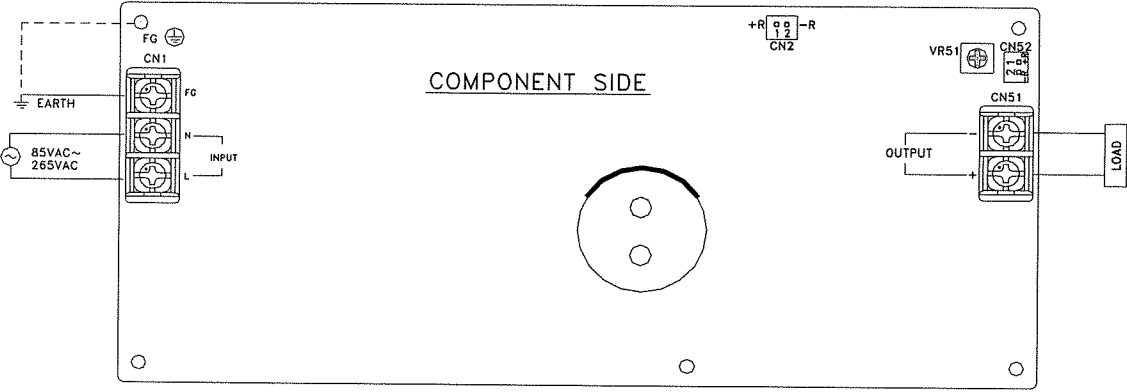


ZWS240PAF/J

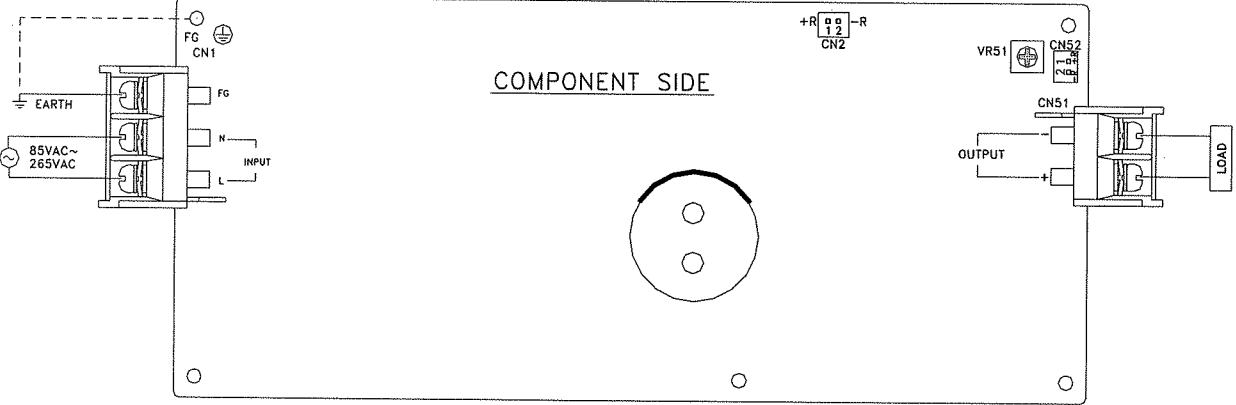


DENSEI-LAMBDA
ZWS240PAF Series
INSTRUCTION MANUAL

ZWS240PAF/T



ZWS240PAF/S



3. Explanation of Functions and Precautions

3-1. Input Voltage Range

Input voltage range is single phase 85 ~ 265VAC (47 ~ 63Hz) or 120 ~ 370VDC. Input voltage which is out of specification may cause unit damage. For cases where conformance to various safety specs(UL,CSA,EN) are required, input voltage range will be 100 ~ 240VAC (50/60Hz).

3-2. Output Voltage Range

V.ADJ trimmer(VR51) that is nearby to output connector is for output voltage adjustment within the range of specifications. To turn the trimmer clockwise, the output voltage will be increased. Note over voltage protection (OVP) function may trigger if the output voltage is increased excessively.

3-3. Inrush Current

This series has used Power Thermistor to protect the circuit from Inrush Current. Please carefully select input switch and fuse in cases of the high temperature and re-input the power.

3-4. Over Voltage Protection (OVP)

The OVP function (Inverter shut down method, manual reset type) is provided. OVP function operates within the range of OVP specifications. When OVP triggers, the output will be shut down. The input shall be removed for a few minutes, and then re-input for recovery of the output. OVP setting is fixed and not to be adjusted externally.

3-5. Over Current Protection (OCP)

Constant current limiting, automatic recovery. OCP function operates when the output current exceeds OCP specifications. The output will be automatically recovered when the overload condition is cancelled. Do not operate overload or dead short conditions for more than 30 seconds, which could result in damage or insulation failure.

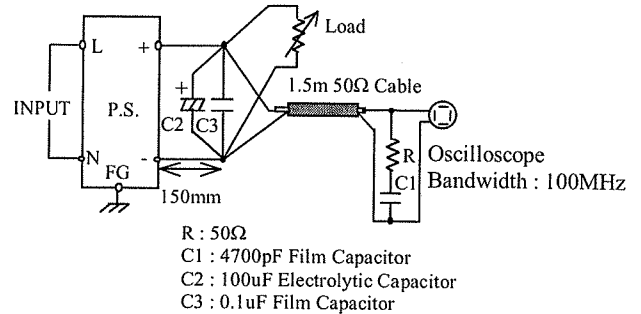
3-6. Over Temperature Protection (OTP)

OTP circuit is built into the power supply to prevent power supply from damage when ambient temperature over the specification.

3-7. Output Ripple & Noise

The standard specification for maximum ripple value is measured according to measurement circuit specified by JEITA-RC9131. When load lines are longer, ripple becomes larger. In this case, electrolytic capacitor, film capacitor, etc. might be necessary to use across the load terminal. The output ripple cannot be measured accurately if the probe ground lead

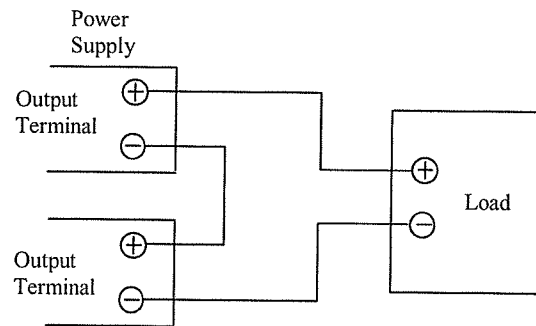
of oscilloscope is too long.



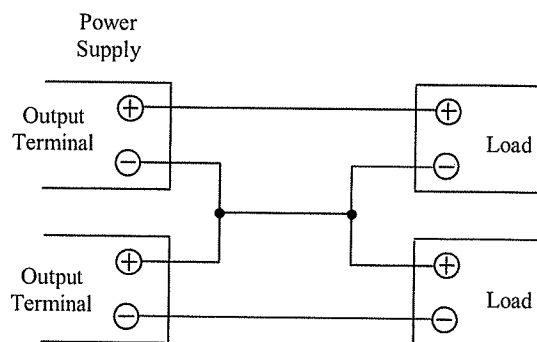
3-8. Series Operation

For series operation, either method (A) or (B) is possible.

Method (A)

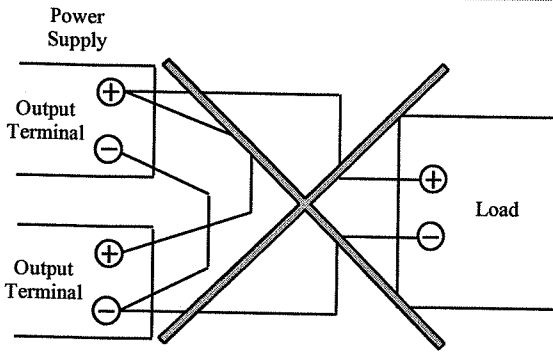


Method (B)



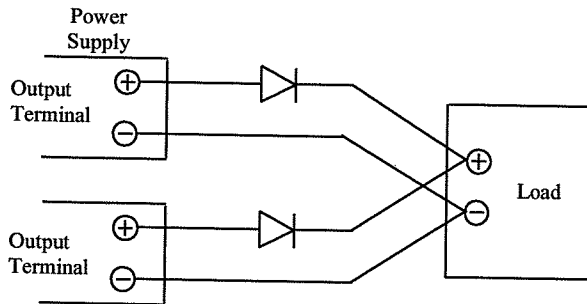
3-9. Parallel Operation

(A) To increase the output current is not possible.



(B) To use as Back-up Power Supply

1. Set power supply output voltage higher by the forward voltage drop(VF) of diode
2. Adjust the output voltage of each power supply to be the same.
3. Use within the specifications for output voltage and output power.



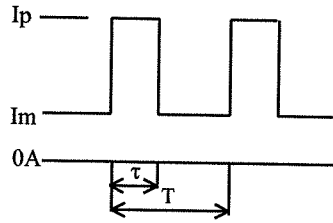
3-10. Peak Output Current

For ZWS240PAF series, the peak output current should satisfy the conditions below:

- 1) Should not exceed the rated peak current in the specifications.(eg. 20A for ZWS240PAF-24)
- 2) Duty cycle of the peak output current should be $\leq 35\%$, and operating time of peak output current is less than 10 seconds. If the power supply is operated under convection cooling, and ambient exceeds 45°C , the following operating period for peak current is recommended.

Ambient Temperature ($^{\circ}\text{C}$)	Peak current operating time
-10 ~ +45 $^{\circ}\text{C}$	within 10 seconds
+45 $^{\circ}\text{C}$ onwards	within 5 seconds

- 3) The relation between peak output current with average output current is defined as below:



I_p = Peak output current

I_m = Minimum output current

D = Duty cycle, τ/T

τ = Peak output current operating time

T = Period

I_o = Maximum allowable average output current of specifications (I_o should be average load after derating at various mounting and ambient temperature)

Formula:

$$\text{ZWS240PAF: } 1.5 \times I_o^2 \geq I_p^2 \times D + I_m^2 \times (1-D)$$

Example I : For ZWS240PAF-24 at $T_a = 60^{\circ}\text{C}$, Mounting A, Max $I_o = 6\text{A}$ (after 60% Derating)

$$1.5 \times I_o^2 \geq I_p^2 \times D + I_m^2 \times (1-D)$$

(A): In case of $I_m = 0$, $I_p = 20\text{A}$,
 $D \leq 13.5\%$

(B): In case of $I_m = 4\text{A}$, $I_p = 20\text{A}$,
 $D \leq 9.9\%$

Example II : Following table illustrate some peak load operation examples for ZWS240PAF-24.

Please note that the actual I_o in peak load operation is low .

Max allowable average load after derating by various Mounting and T_a :		Examples of peak load derating, calculated by above formula			Actual I_o
Average Load(%)	$I_o(\text{A})$	$I_p(\text{A})_{\text{max}}$	D_{max}	$I_m(\text{A})$	$I_o(\text{A})$
100%	10	20	35.0%	3.92	9.55
90%	9	20	30.4%	0	6.08
80%	8	20	24.0%	0	4.80
70%	7	20	18.4%	0	3.68
60%	6	20	13.5%	0	2.70
50%	5	20	9.4%	0	1.88
40%	4	20	6.0%	0	1.20
30%	3	20	3.4%	0	0.68
20%	2	20	1.5%	0	0.30
10%	1	20	0.4%	0	0.08

- 4) Peak output current operation (Maximum 10 seconds, Duty ≤ 0.35) is possible after establish of output voltage. Please avoid peak current operation during start up.

3-11. Remote ON/OFF Control

Remote ON/OFF control (CN2,CN52) function is available. Using this function allows the user to turn the output on and off without having to turn the AC input on and off. Remote ON/OFF control can be used by following 2 modes. However, for Cover and Chassis type (eg. ZWS240PAF/A, /JA, /TA, /SA) cannot be used.

Using CN2

It is controlled by short or open between +R & -R of CN2. CN2 is provided in the primary circuit for ON/OFF control by means of a switch or other device. When using this connector, which is considered to be electrically connected to the mains input voltage, all the requirements of EN60950 must be met with respect to the connector, wiring and switch etc.

In particular:

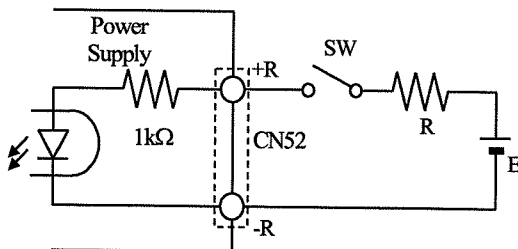
- 1) Basic insulation must be provided between the ON/OFF control circuit and earth.
- 2) Reinforced insulation must be provided between the ON/OFF control circuit and any secondary circuit or accessible part.
- 3) Wiring must be routed such that damage to the insulation of the wire or additional sleeving cannot occur.
- 4) The switch must meet requirements for reinforced insulation from the ON/OFF control circuit to actuator/accessible parts.

[CN2] The control mode is shown below.

+R & -R Terminal condition	Output condition
Short	ON
Open	OFF

*Using CN52

At first, remove short piece of CN2. It is controlled by the voltage applied to +R and -R. This circuit is in the Secondary (output) side of the power supply unit. Do not connect in the Primary (input) side. And this circuit is isolated from the output by a photo-coupler.



[CN52] The control mode is shown below.

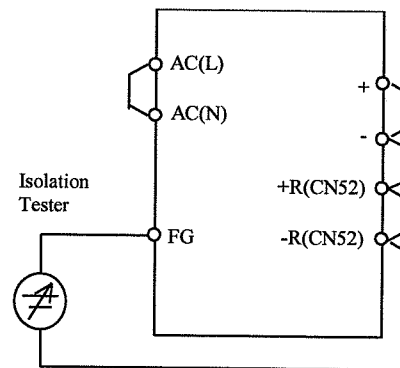
+R & -R terminal condition	Output condition
SW ON (Higher than 4.5V)	ON
SW OFF (Lower than 0.8V)	OFF

External voltage level: E	External resistance: R
4.5 ~ 12.5VDC	No required
12.5 ~ 24.5VDC	1.5kΩ

3-12. Isolation Test

Isolation resistance between output and FG (Chassis) shall be more than 100MΩ at 500VDC. For safety operation, voltage setting of DC isolation tester must be done before the test. Ensure that it is fully discharged after the test.

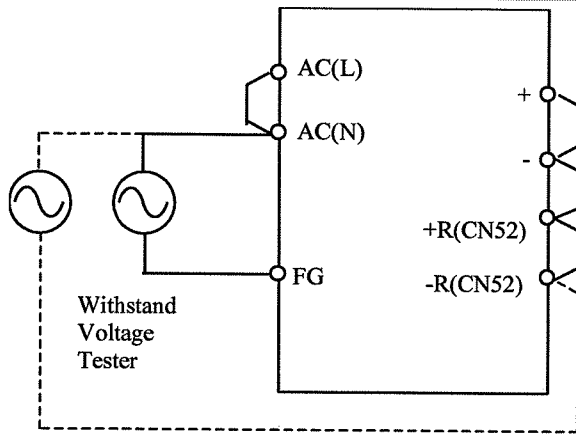
Output – FG (Chassis)
 500VDC 100MΩ or more



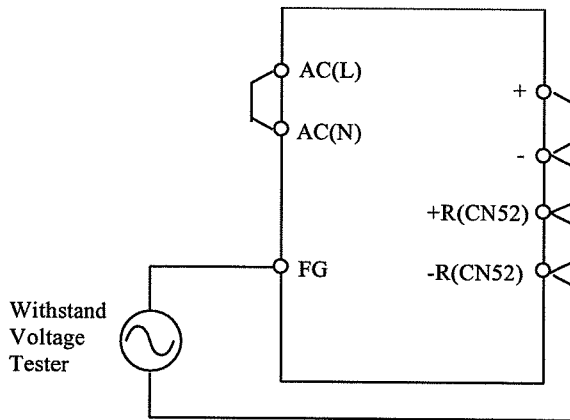
3-13. Withstand Voltage

This series is designed to withstand 3.0kVAC between input and output, 2.0kVAC between input and FG (Chassis) and 500VAC between output and the FG (Chassis) each for 1 minute. When testing withstand voltage, set current limit of the withstand voltage test equipment to 20mA (Output - FG (Chassis) : 100mA). The applied voltage must be gradually increased from zero to the testing value and then gradually decreased for shut down. When timer is used, the power supply may be damaged by high impulse voltage at timer switch on and off. Connect input and output as follows.

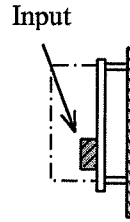
- Input ~ Output (dotted line)
 3kVAC 1min. (20mA)
- Input ~ FG (Chassis) (solid line)
 2kVAC 1min. (20mA)



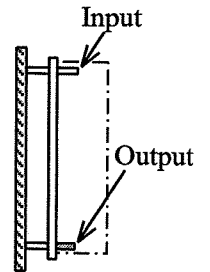
Output ~ FG (Chassis)
 500VAC 1min. (100mA)



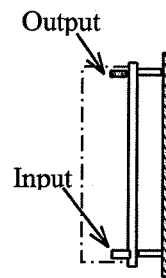
(C)



(D)

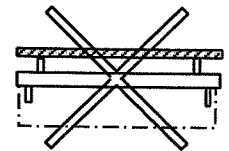


(E)



(F)

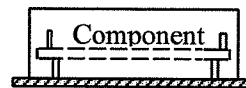
Prohibit



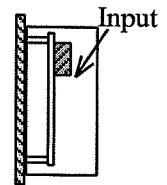
With chassis, with chassis&cover type

(A)

Standard Mounting



(B)



4. Mounting Directions

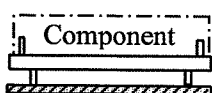
4-1. Output Derating according to the Mounting Directions

Recommended standard mounting method is (A). Method (B), (C), (D), (E) are also possible. Mounting (F), (G), (H), (I) are prohibited. Please do not use installation method (F), where the PCB will be on the top side and heat will be trapped inside the unit. Refer to the derating below. In the following derating curve, average load(%) is percent of maximum output load (both Maximum Output Current and Maximum Output Power in specifications). Do not exceed the load deratings.

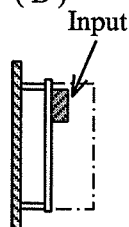
PCB type

(A)

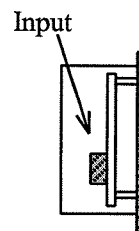
Standard Mounting



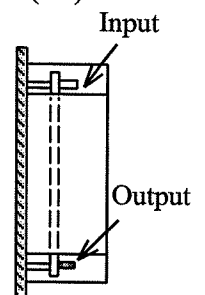
(B)



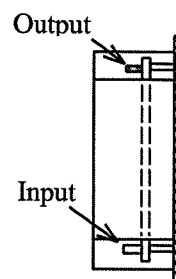
(C)



(D)

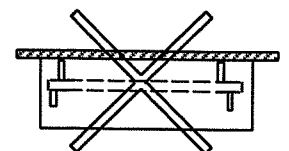


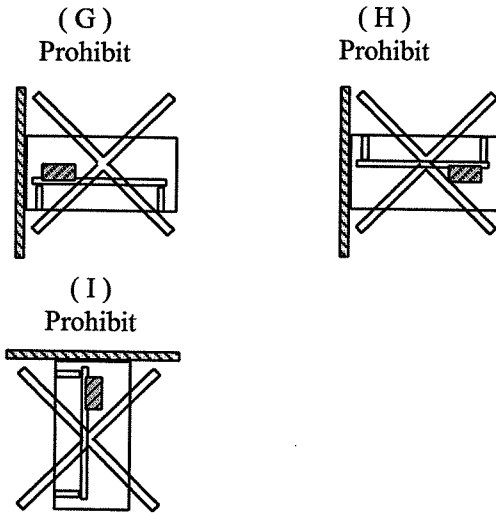
(E)



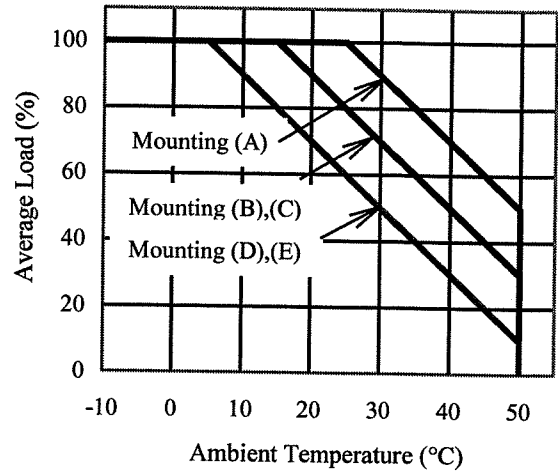
(F)

Prohibit



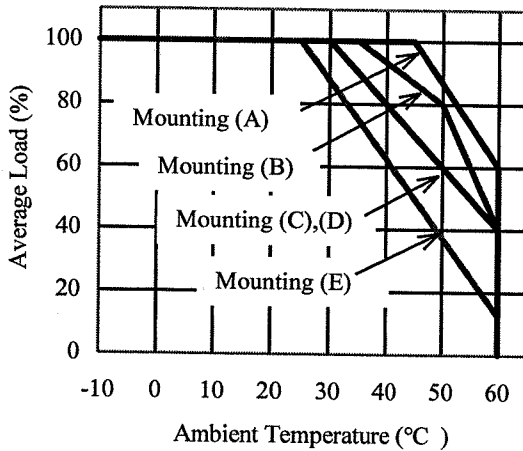


With chassis and cover type



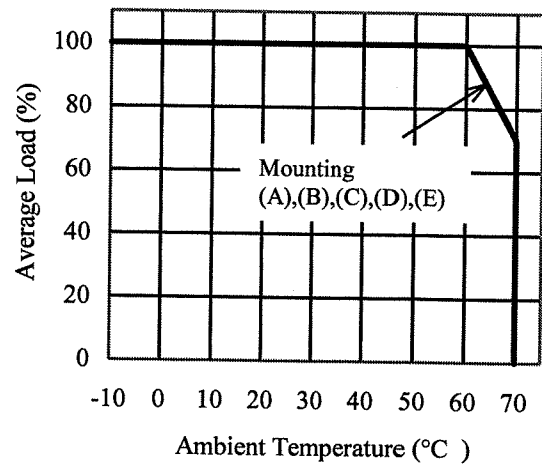
Output Derating

- Convection cooling
PCB type and with chassis type



Convection Mounting Ta	Average Load (%)				
	A	B	C	D	E
-10~ 5°C	100	100	100	100	100
15°C	100	100	100	80	80
25°C	100	80	80	60	60
50°C	50	30	30	10	10

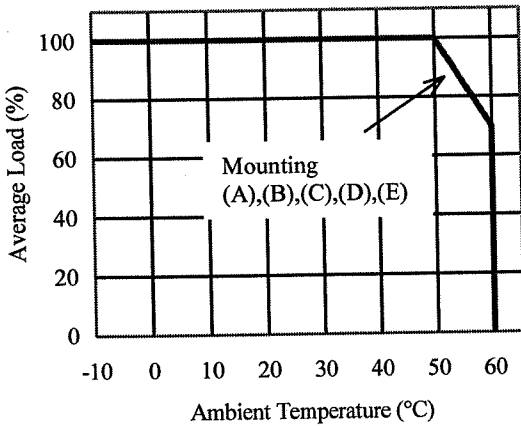
- Forced air cooling
PCB type and with chassis type



Convection Mounting Ta	Average Load (%)				
	A	B	C	D	E
-10~ 25°C	100	100	100	100	100
30°C	100	100	100	100	87.5
35°C	100	100	90	90	75
40°C	100	93.3	80	80	62.5
45°C	100	86.7	70	70	50
50°C	86.7	80	60	60	37.5
55°C	73.3	60	50	50	25
60°C	60	40	40	40	12.5

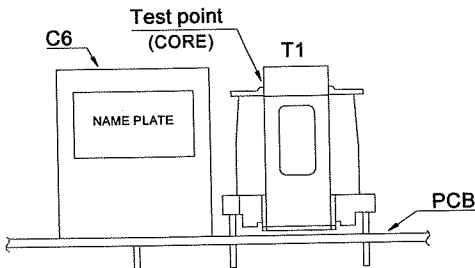
Forced air Mounting Ta	Average Load (%)
	A,B,C,D,E
-10~ 60°C	100
70°C	70

With chassis and cover type



Forced air	Average Load (%)
Mounting Ta	A,B,C,D,E
-10~50°C	100
60°C	70

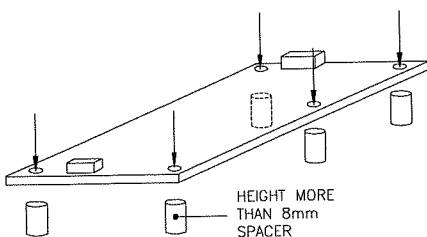
*Recommended minimum air velocity : 0.7m/s
 (Measured at component side of PCB, air must flow through component side). As a reference for forced Air Cooling, let air flow so that the transformer T1 core temperature is lower than 80°C



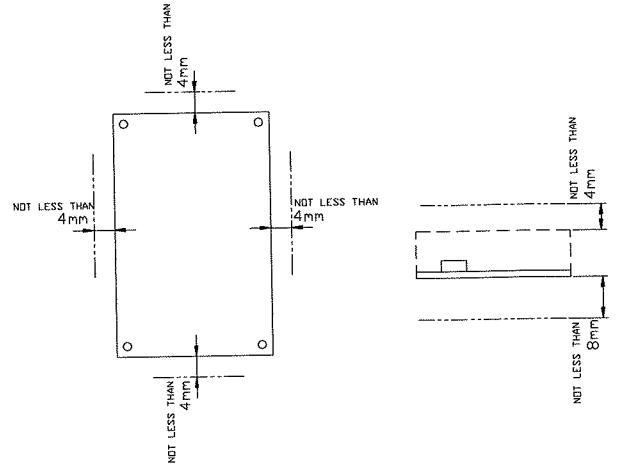
4-2. Mounting Method

PCB type

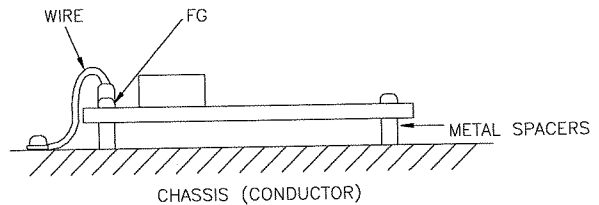
Please use the mounting hole (5 holes of $\phi 3.5$) and insert the spacer (MAX $\phi 8.0$) of height over 8mm to lift the unit. Also use all 5 mounting holes for the unit installation. The vibration spec is the value taken when the unit is raised by 8mm spacers.



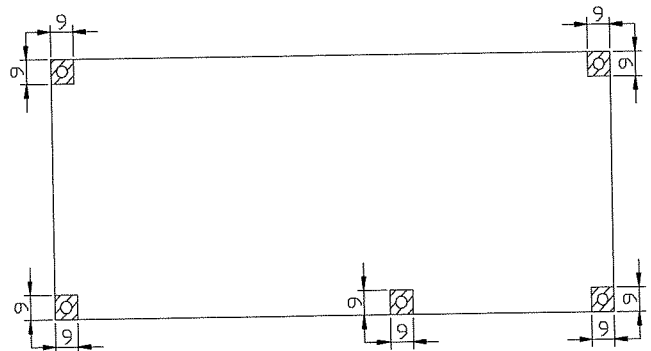
Please leave 4mm space from the surfaces and leave 4mm space from the sides of PCB, especially from the solder surface, 8mm space is necessary. If the space is not enough, the specification of insulation and withstand voltage will not be satisfied.



FG should be connected to the earth terminal of the apparatus. If not, the EMI noise and output noise will increase.



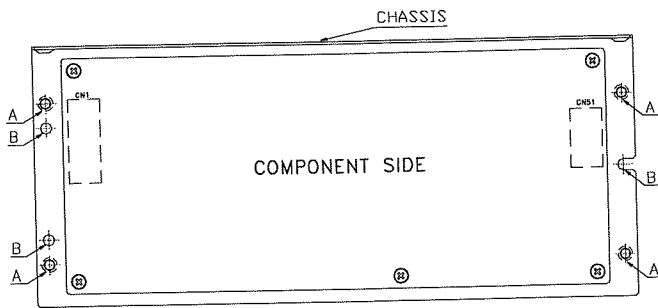
Hatching area is maximum permissible area of metal part for mounting.



For chassis option /L, chassis & cover option /A

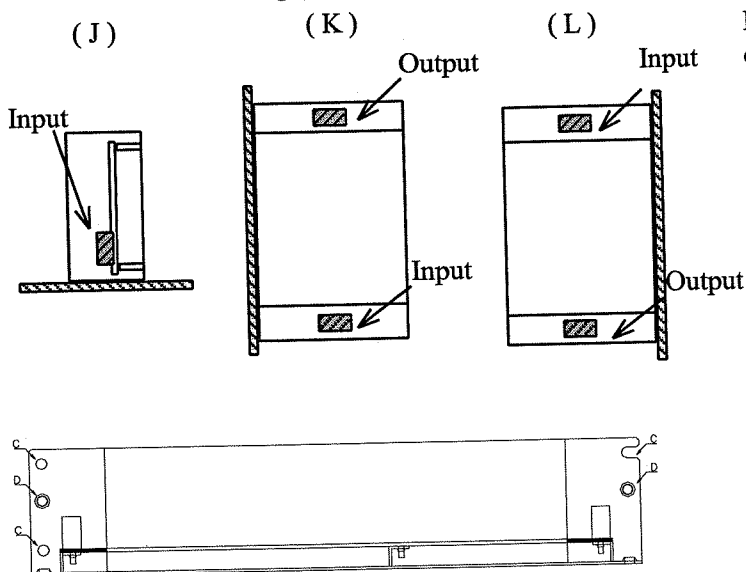
Recommended mounting method is mounting (A), (B), (C), (D), (E) by bottom plate of chassis to meet $19.6m/s^2$ vibration specification as shown in section 4-1. The power supply can be mounted through holes A or B.

- A: Embossed tapped and countersunk holes by 4-M4 screws
- B: $\phi 4.5$ holes and R2.25 slot hole by 3-M4 screws (For /SL and /SA models, these holes can not be used)



Mounting (F), (G), (H), (I) is prohibited.

For mounting method (J), (K), (L), below, the vibration specification is 4.9m/s^2 , mounted through holes C or D.
 Note: Output derating for mounting (J) is same as mounting (C). Output derating for mounting (K) is same as mounting (E). Output derating for mounting (L) is same as mounting (D).



C: 2- $\Phi 4.5$ holes and R2.25 slot hole by 3-M4 screws
 (For/SL and /SA models, these holes can not be used)
 D: Embossed tapped and countersunk holes by 2-M4 screws.

5. Wiring Method

- The output load line and input line shall be separated and twisted to improve noise sensitivity.
- Use all lines as thick and short as possible to make lower impedance.
- Noise can be eliminated by attaching a capacitor to the load terminals.
- For safety and EMI considerations, connect FG terminal of input connector and mountable FG to ground terminal of equipment.
- Recommended screw torque is 0.49N.m (5kg.cm)

- Select the wire materials to adapt the MOLEX and J.S.T connector as follows.
 INPUT : AWG#22 ~ #18
 OUTPUT : AWG#22 ~ #18

6. External Fuse Rating

Refer to the following fuse rating when selecting the external fuses that are to be used on input line. Surge current flows when line turns on. Use slow-blow fuse or time-lag type fuse. Do not use fast-blow fuse. Fuse rating is specified by in-rush current value at line turn-on. Do not select the fuse according to input current (rms.) values under the actual load condition.

ZWS240PAF : 6.3A

7. Before concluding that the unit is at fault...

Before concluding that the unit is at fault, make the following checks.

- Check if the rated input voltage is connected.
- Check if the wiring of input and output is correct.
- Check if the wire material is not too thin.
- Check if the output voltage control (V.ADJ) is properly adjusted.
- If you use function of the Remote ON/OFF control, check if the Remote ON/OFF control connector is not opened.
- Check if the output current and output wattage do not over specification.
- Audible noise can be heard during Dynamic-Load operation.
- Audible noise can be heard when input voltage waveform is not sinusoidal wave.

8. Notes

- 1) Over voltage Category II.
- 2) Radio Interference Suppression Test is not performed.

9. Repair

In case of damage or repair of this product, please return to our service center or factory.