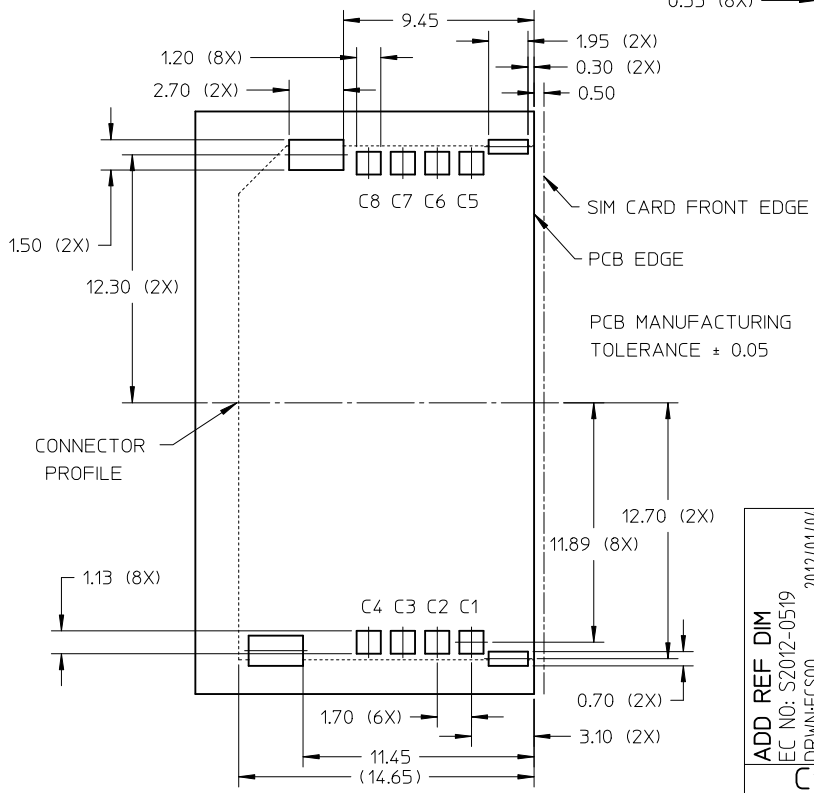
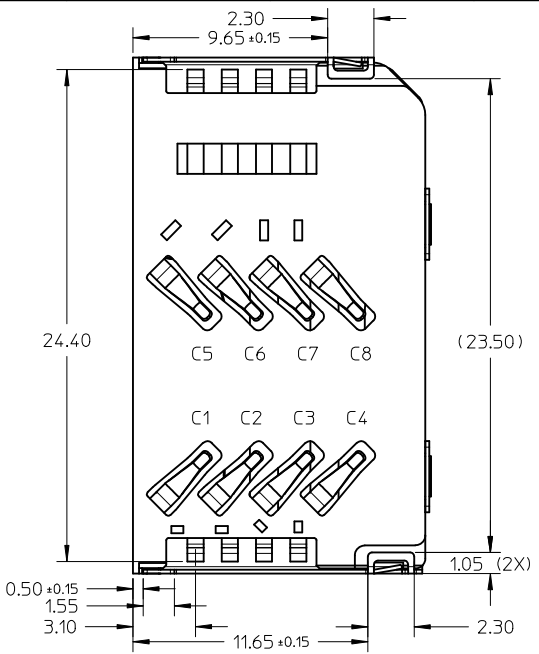
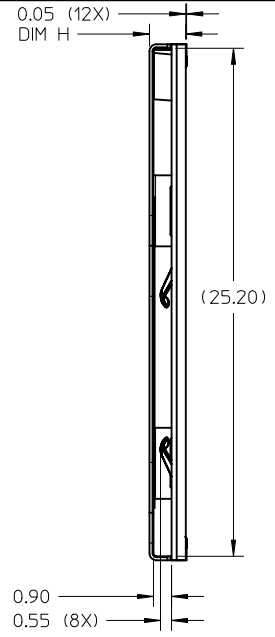
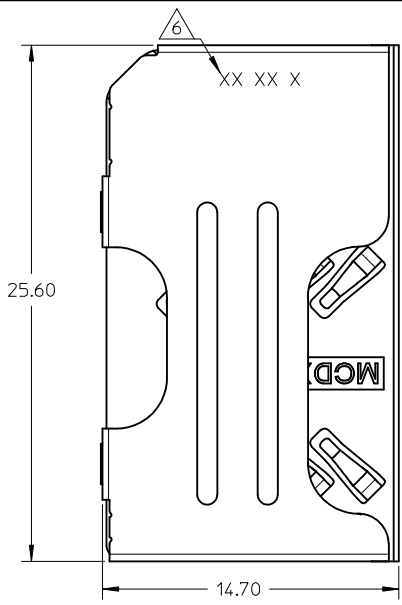


P/N	78558-0001	78558-1000
DIM H	1.80	2.00



NOTES:
 1. MATERIALS:
 HOUSING: LIQUID CRYSTAL POLYMER, 30~45% GLASS-FILLED/MINERAL UL 94V-0, COLOR: BLACK
 TERMINAL: PHOSPHOR BRONZE, 0.12MM THICKNESS REF.
 SHELL: STAINLESS STEEL 0.20mm THICKNESS REF.
 2. FINISHES
 TERMINAL: 0.30 MICRON MIN. GOLD ON CONTACT AND 1.27 MICRON MIN. TIN ON SOLDER TAIL OVER 1.27 MICRON MIN. NICKEL UNDERPLATE
 SHELL: 0.0254 MICRON MIN. GOLD OVER 1.27 MICRON MIN. NICKEL UNDERPLATE
 3. PRODUCT SPECIFICATION: PS-78558-001
 4. PACKAGING SPECIFICATION: PK-78558-001
 5. NON-FUNCTIONAL CORING ARE SUBJECTED TO CHANGE WITHOUT NOTICE.
 6. DATE CODE: XX XX X
 DAY
 WEEK
 YEAR

ADD REF DIM EC NO: S2012-0519 DRW: FCS00 CHKD: JTAN02 APPR: KHL IM	DESCRIPTION REV	QUALITY SYMBOLS F _A =0 F _E =0 F _P =0	GENERAL TOLERANCES (UNLESS SPECIFIED)		DIMENSION STYLE MM ONLY		SCALE NTS	DESIGN UNITS METRIC	THIRD ANGLE PROJECTION		
			mm	INCH	DRAWN BY SCHEONG	DATE 2009/10/14	TITLE SIDE ENTRY SIM CONNECTOR WITH GUIDE RAILS				
C1			4 PLACES	± ---	± ---	CHECKED BY KHL IM	DATE 2010/01/07	MOLEX INCORPORATED			
			3 PLACES	± ---	± ---	APPROVED BY BOKOK	DATE 2010/04/16	DOCUMENT NO. SD-78558-001			
			2 PLACES	± 0.10	± ---	SHEET NO. 1 OF 1					
			1 PLACE	± ---	± ---	MATERIAL NO. SEE TABLE					
			ANGULAR ± 3 °		THIS DRAWING CONTAINS INFORMATION THAT IS PROPRIETARY TO MOLEX INCORPORATED AND SHOULD NOT BE USED WITHOUT WRITTEN PERMISSION						
			DRAFT WHERE APPLICABLE MUST REMAIN WITHIN DIMENSIONS								