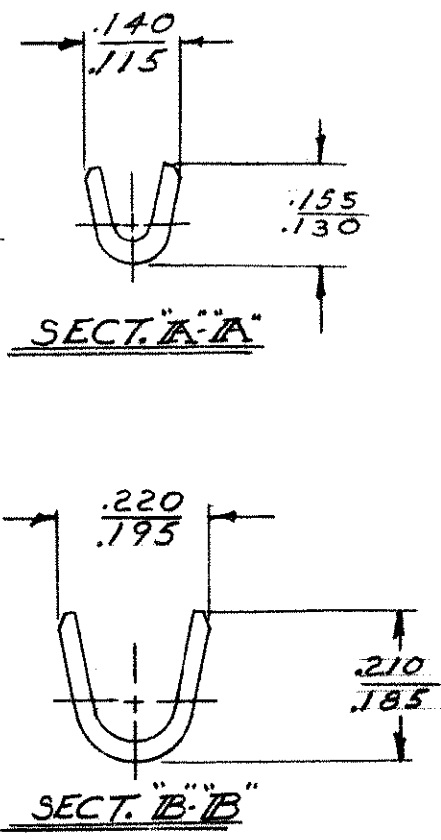
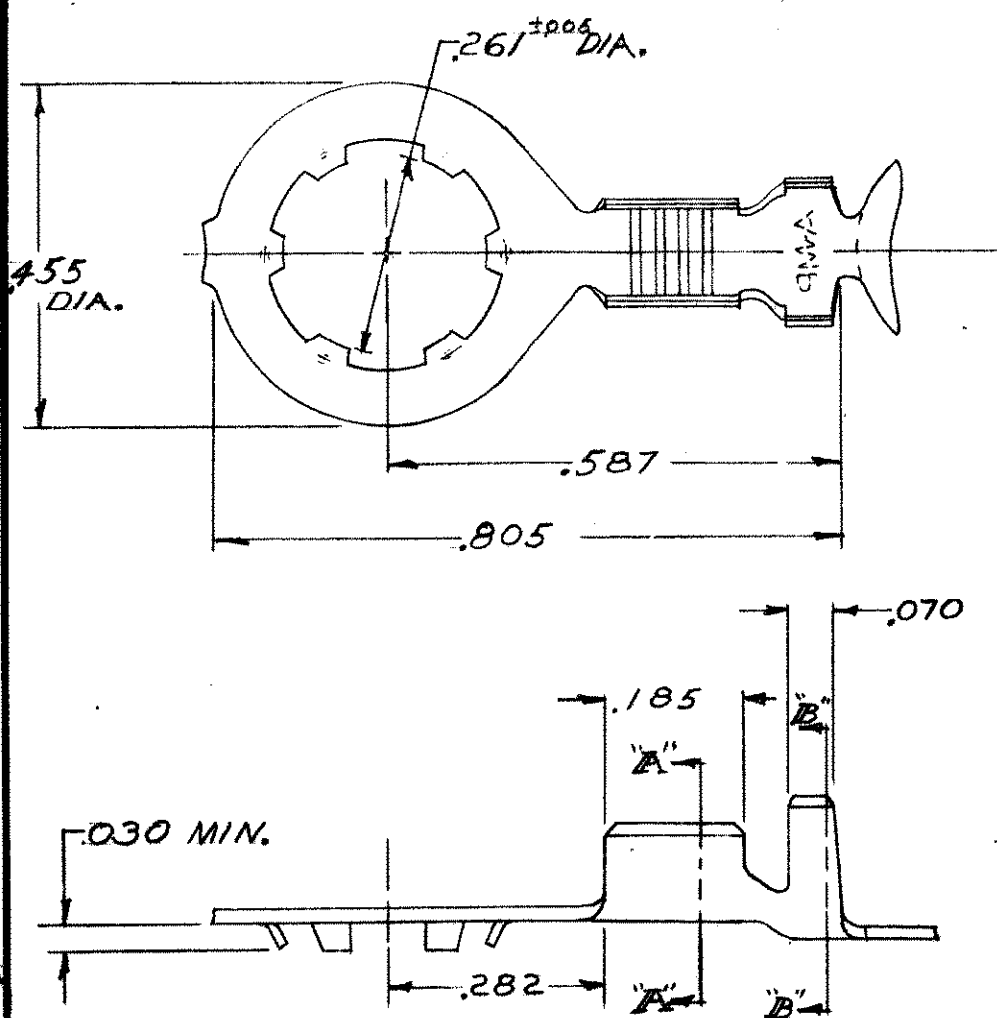


NUMBER  
61283



CONTINUOUS STRIP ON REELS

TERMINAL NUMBER	MATERIAL	FINISH
61283-1	.025 - BRASS	TIN
61283-2	.025 - STEEL	TIN

⚠ PRELIMINARY - NOT FOR PRODUCTION.

DIMENSIONS IN INCHES. DO NOT SCALE PRINT.

Unpublished copy not to be reproduced nor published without written permission of AMP Incorporated

G	REV PER 063A-0529-02	MP	DFD	9-3-2002
F	085-2 AF-3699			5-13-88
E	ADDED -2 PERTTI	84/1		10/84
D	REYIND SERRATIONS	V-0154		4/5/71
C	REVISED	A 1293		11/68
B	REVISED	A 47		1/68
A	REVISED (RELEASED)	A 1217		1/68

©1968 BY AMP INCORPORATED, ALL RIGHTS RESERVED. AMP PRODUCTS COVERED BY PATENTS AND/OR PATENTS PENDING.

CUSTOMER COPY REFERENCE ONLY

MATERIAL AND FINISH		SEE TABLE		AMP INCORPORATED HARRISBURG, PENNA.	
WIRE RANGE INSULATION		22-16 100-.140		CLASS ———	
TOLERANCE EXCEPT AS NOTED		SCALE ———		TYPE ———	
± .015 ± 1' 0'		LOC AE		NO A 61283	
LTR		REVISION RECORD		REV G	
DR N.E. NEFF		CHK R.E. FRANK		DATE 3-1-68	
NAME		RING			