

NOTES:

1.0 MATERIALS:

- 1.1 HOUSING: STAINLESS STEEL PER ASTM-A582, TYPE 303.
- 1.2 CENTER CONTACT: BERYLLIUM COPPER ROD ALLOY C172, PER ASTM-B196.
- 1.3 DIELECTRIC: PTFE FLUOROCARBON PER ASTM-D1457.

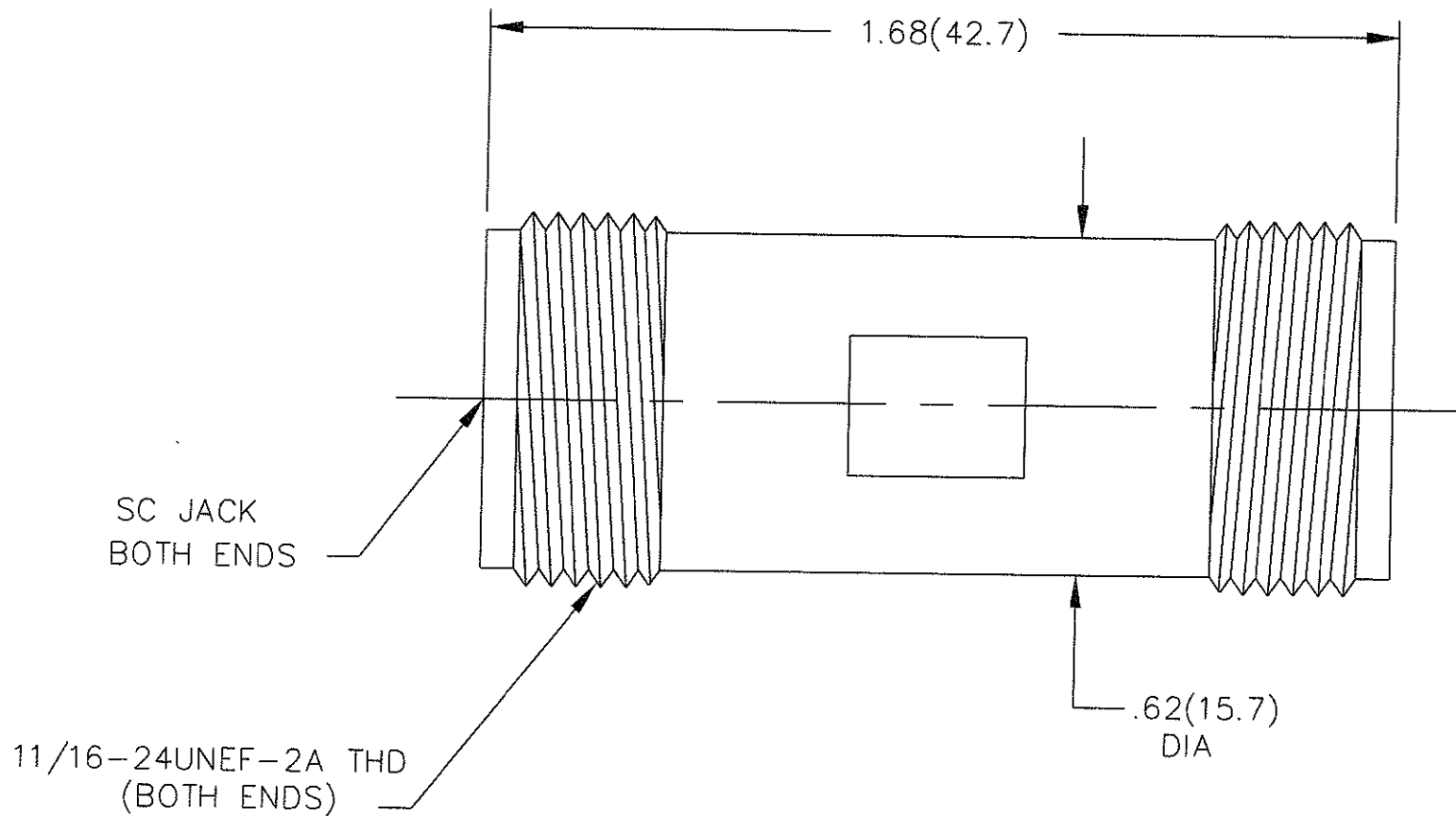
2.0 PLATING:

- 2.1 HOUSING: PASSIVATED PER MIL-F-14072 AND QQ-P-35
- 2.2 CENTER CONTACT: GOLD PER MIL-G-45204, TYPE II, CLASS 2

3.0 ELECTRICAL SPECIFICATIONS:

- 3.1 FREQUENCY RANGE: DC to 11.0 GHz
- 3.2 VSWR (MAX):
 - DC to 4.0 GHz: 1.08:1
 - 4.0 to 8.0 GHz: 1.10:1
 - 8.0 to 11.0 GHz: 1.15:1
- 3.3 IMPEDANCE: 50 OHMS

4.0 DIMENSIONS IN PARENTHESIS ARE IN MILLIMETERS.



REV.	DESCRIPTION	DATE
-	RELEASED	6/11/93
-1	ADDED TITLEBLOCK	3/17/05

UNLESS OTHERWISE NOTED DIMENSIONS ARE IN INCHES AND TOLERANCES ARE: 3 PLACE DECIMALS ±.005 2 PLACE DECIMALS ±.02 FRACTIONS ±1/64 PARALLELITY: T.I.R. _____ FLATNESS: T.I.R. _____ CONCENTRICITY: T.I.R. _____ ANGLES AND PERPENDICULARITY: ±1'	FSCM NO. 34078	MIDWEST MICROWAVE	
	NOTICE: The information contained in this drawing is proprietary and must not be used without the permission of Midwest Microwave	TITLE ADAPTER SC JACK to SC JACK	
	DRAWN/DATE A.BEATTY 6/9/93	ENG./DATE A.OSGA 6/11/93	DRAWING NUMBER ADT-2833-FF-SCO-02
	CHECKED/DATE M.HOLLMAN 6/10/93	APPROVED/DATE	SCALE: 5=1 SHEET 1 of 1