

WaveSurfer 3000 Rackmount Accessory

Thank you for purchasing a Teledyne LeCroy WaveSurfer 3000 Rackmount accessory. Please review these instructions before installing the rackmount.

Parts

The rackmount kit is shipped with the following parts. Contact us if parts are missing.

Parts	QTY
Front plate with attached handles	1
Base plate	1
Side plates with pre-installed positioning brackets	2
M4x10 pan-head Phillips screws	10
M4x6 pan-head Phillips screws	6

NOTE: The kit does *not* include the fasteners needed to attach the rackmount to your equipment rack. Consult your rack manufacturer regarding the appropriate type, size, and number of fasteners to install the rackmount securely.

Tools

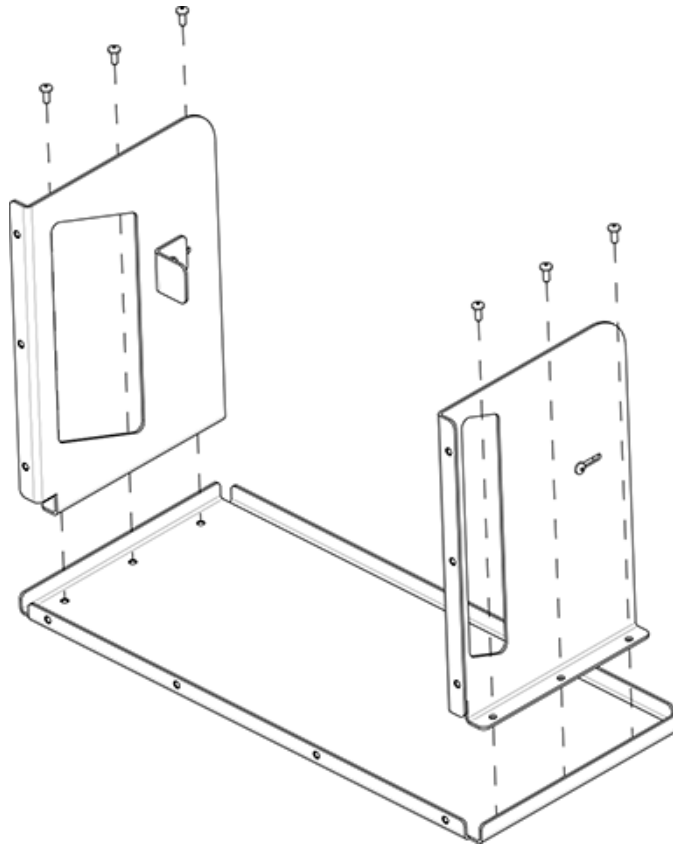
You will need a Phillips screwdriver to attach the rackmount to the WaveSurfer 3000.

Installed Dimensions

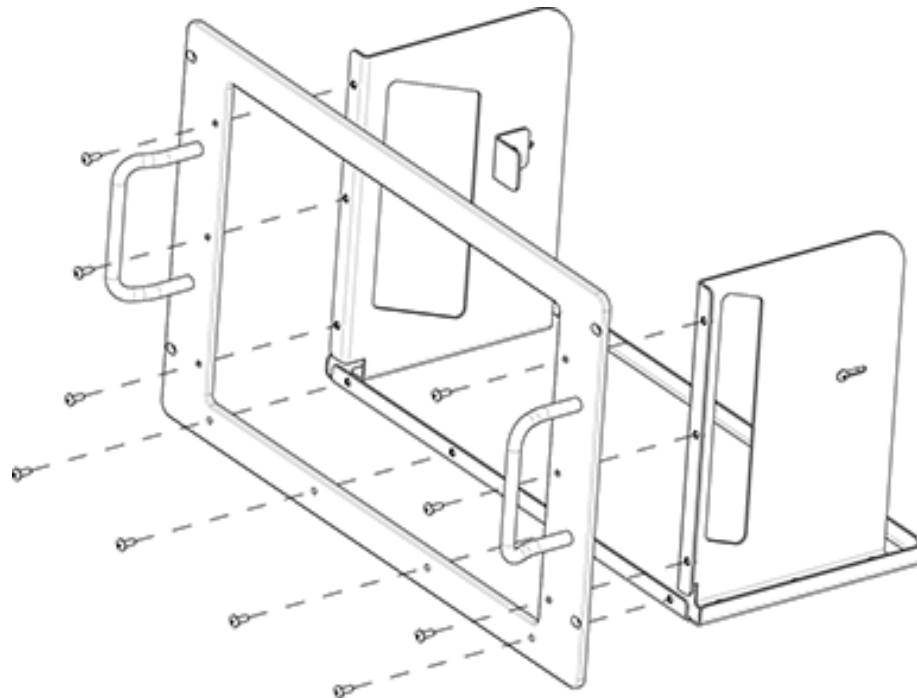
Weight:	18.8 lbs.
Height:	300 mm
Width at front plate:	480 mm
Width behind front plate:	430 mm
Depth with handles:	265 mm
Depth without handles:	205 mm
Rack Us required:	7U

Installation

1. Attach the side plates to the base plate using six M4x6 screws, three on each plate.



2. Attach the front plate to the side plates using the remaining M4x10 screws.



- Place the oscilloscope inside the rackmount *in front of the two, pre-installed positioning brackets on the side plates*. The screen should be visible through the front plate.

NOTE: You may need to loosen and rotate the positioning brackets to fully insert the body of the oscilloscope into the rackmount.

- Tilt the entire rackmount forward until it rests on its handles. This should cause the oscilloscope to lie flush with the front plate.
- Slide each positioning bracket forward so that it is flush to the back of the oscilloscope and tighten it.



- With the rackmount securely fastened to the unit, install the WaveSurfer 3000 into a rack following the manufacturer's specifications.

Contact Teledyne LeCroy

United States and Canada -

World Wide Corporate Office

Teledyne LeCroy Corporation
700 Chestnut Ridge Road
Chestnut Ridge, NY, 10977-6499, USA
Ph: 800-553-2769 / 845-425-2000
FAX: 845-578-5985
teledynelecroy.com

Support:

contact.corp@teledynelecroy.com

Sales:

customersupport@teledynelecroy.com

European Headquarters

Teledyne LeCroy SA
4, Rue Moïse Marcinhes
Case postale 341
1217 Meyrin 1
Geneva, Switzerland
Ph: + 41 22 719 2228 / 2323 / 2277
FAX: +41 22 719 2233
contact.sa@teledynelecroy.com
applications.indirect@teledynelecroy.com
teledynelecroy.com/europe
Protocol Analyzers:
Ph: +44 12 765 03971

Singapore

Genetron Singapore Pte Ltd.
37 Kallang Pudding Road, #08-08
Tong Lee Building Block B
Singapore 349315
Ph: ++ 65 9760-4682

Korea

Teledyne LeCroy Korea
10th fl. Ildong Bldg.
968-5 Daechi-dong, Gangnam-gu
Seoul 135-280, Korea
Ph: ++ 82 2 3452 0400
FAX: ++ 82 2 3452 0490

United States - Protocol Solutions Group

Teledyne LeCroy Corporation
3385 Scott Boulevard
Santa Clara, CA, 95054, USA
FAX: 408-727-0800
teledynelecroy.com
Sales and Service:
Ph: 800-909-7211 / 408-727-6600
contact.corp@teledynelecroy.com

Support:

Ph: 800-909-7112 / 408-653-1260
psgsupport@teledynelecroy.com

China

Teledyne LeCroy Corporation Beijing
Rm. 2001
Unit A, Horizon Plaza
No. 6, Zhichun Road, Haidian District
Beijing 100088, China
Ph: ++86 10 8280 0318 / 0319 / 0320
FAX: ++86 10 8280 0316

Service:

Rm. 2002
Ph: ++86 10 8280 0245

Taiwan

LeColn Technology Co Ltd.
Far East Century Park, C3, 9F
No. 2, Chien-8th Road,
Chung-Ho Dist., New Taipei City, Taiwan
Ph: ++ 886 2 8226 1366
FAX: ++ 886 2 8226 1368

Japan

Teledyne LeCroy Japan
Hobunsha Funchu Bldg, 3F
3-11-5, Midori-cho, Fuchu-Shi
Tokyo 183-0006, Japan
Ph: ++ 81 4 2402 9400
FAX: ++ 81 4 2402 9586
teledynelecroy.com/japan

© 2014 Teledyne LeCroy, Inc. All rights reserved.

WaveSurfer 3000 and Teledyne LeCroy are trademarks of Teledyne LeCroy, Inc. Other product or brand names are trademarks or requested trademarks of their respective holders. Information in this publication supersedes all earlier versions. Specifications are subject to change without notice.

September, 2014