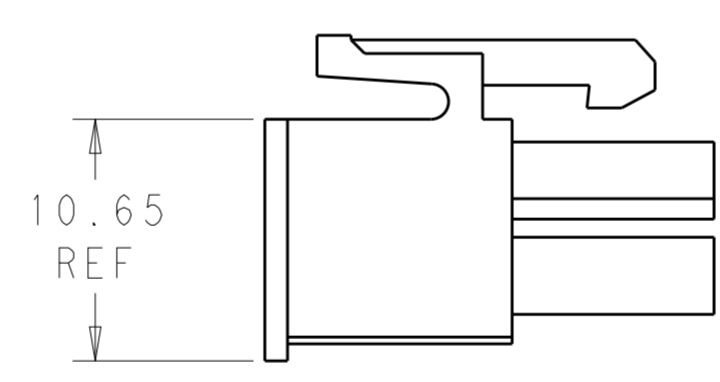
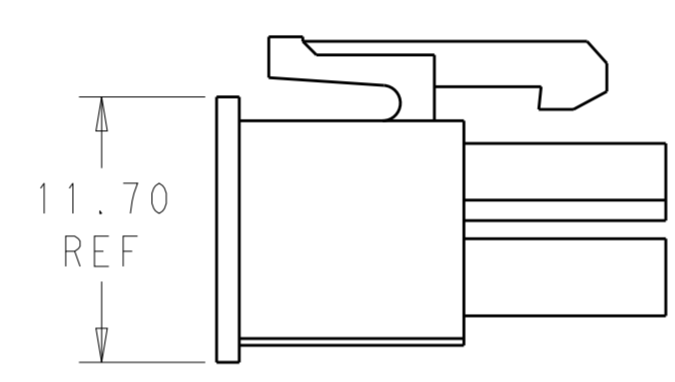
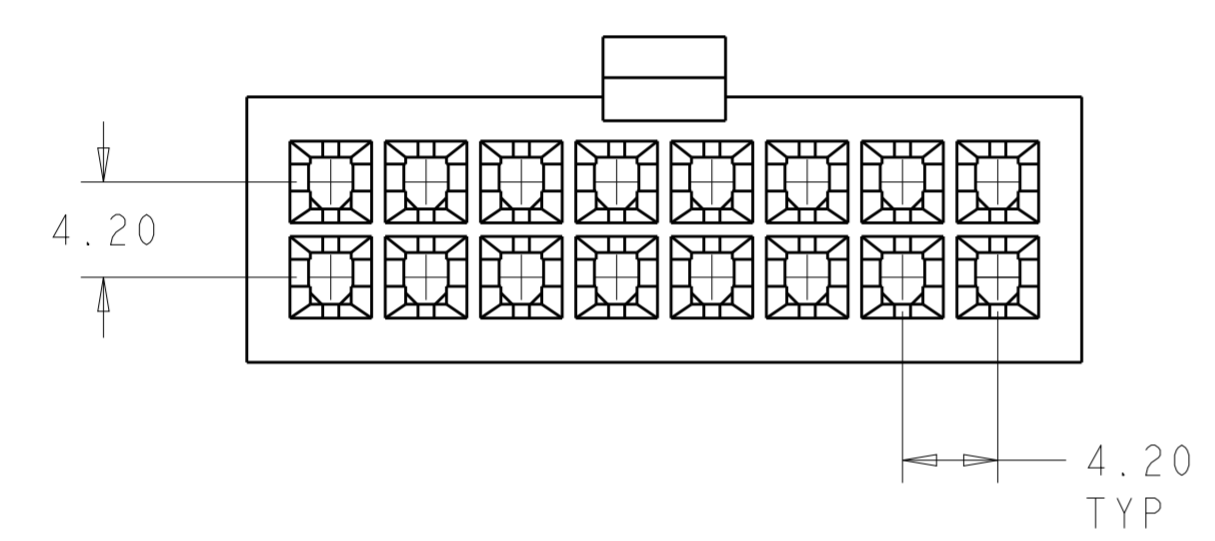
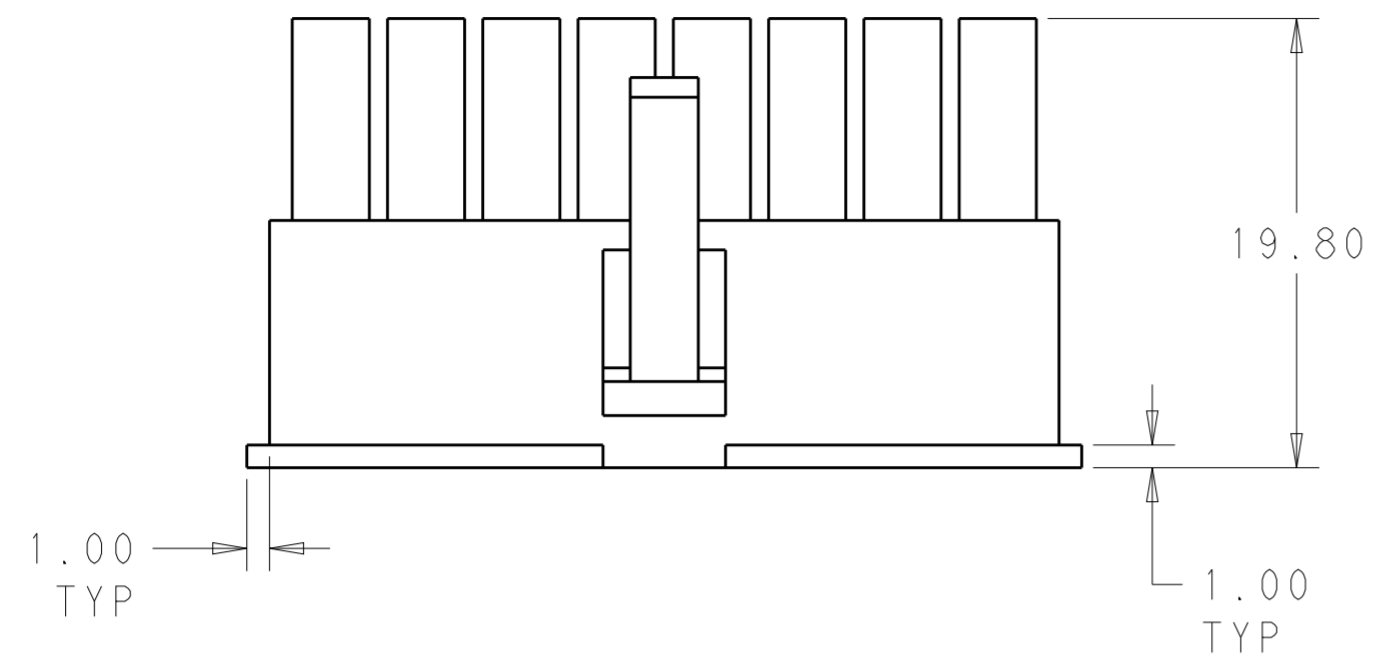
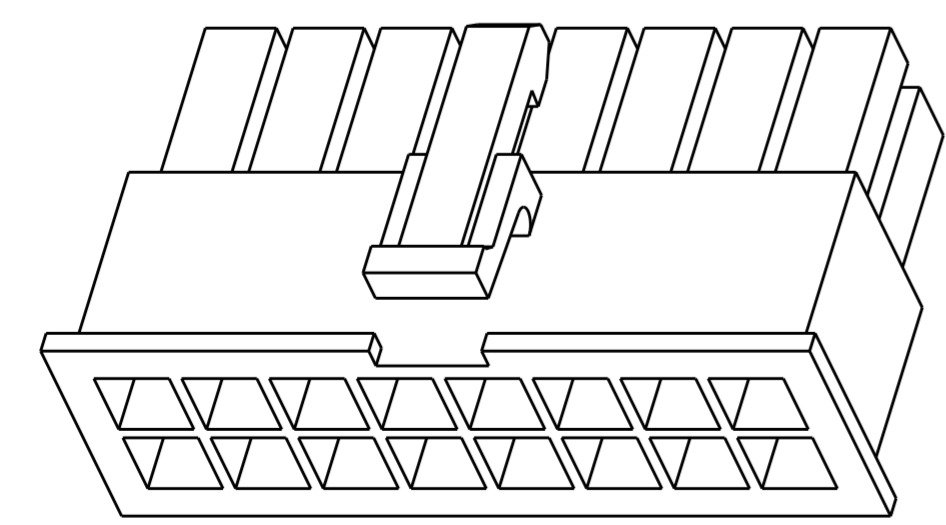
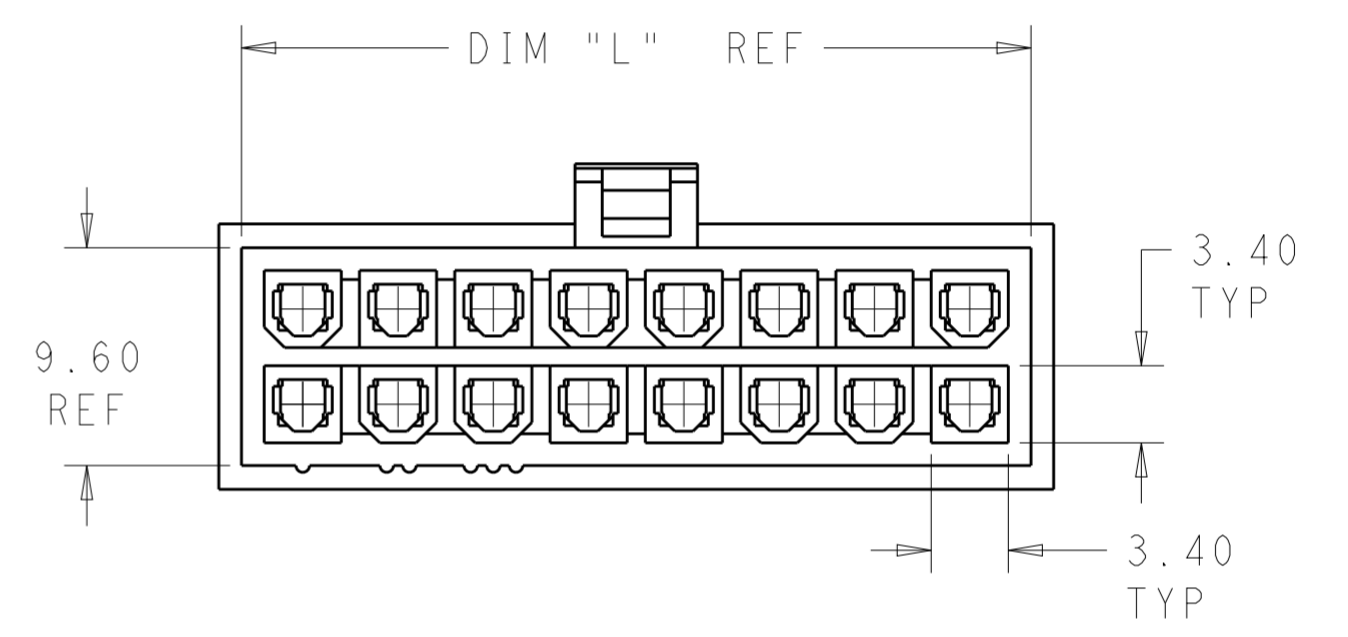


THIS DRAWING IS UNPUBLISHED. RELEASED FOR PUBLICATION 20  
 © COPYRIGHT 20 BY - ALL RIGHTS RESERVED.

REVISIONS				DATE	DWN	APVD
P	LTR	DESCRIPTION				
	A1	REVISED PER ECR-15-006926	05MAY15	JR	KR	



SCALE 3:1  
FOR -2 PART ONLY



51.60	24	2-1969614-4
47.40	22	2-1969614-2
43.20	20	2-1969614-0
39.00	18	1-1969614-8
34.80	16	1-1969614-6
30.60	14	1-1969614-4
26.40	12	1-1969614-2
22.20	10	1-1969614-0
18.00	8	1969614-8
13.80	6	1969614-6
9.60	4	1969614-4
5.40	2	1969614-2
DIM L	NO. OF POS	PART NO.

THIS DRAWING IS A CONTROLLED DOCUMENT.		DWN	JR RUTH	18 JAN 13	 TE Connectivity							
DIMENSIONS:		CHK	KURT RANDOLPH	18 JAN 13								
TOLERANCES UNLESS OTHERWISE SPECIFIED:		APVD	KURT RANDOLPH	18 JAN 13								
mm		PRODUCT SPEC										
0 PLC ± 1 PLC ± 2 PLC ±0.25 3 PLC ± 4 PLC ± ANGLES ± FINISH		APPLICATION SPEC			NAME	RECEPTACLE HOUSING, VAL-U-LOK						
MATERIAL	NYLON 6/6, V0	WEIGHT			SIZE	A200779	CAGE CODE	C-1969614	DRAWING NO		RESTRICTED TO	
COLOR-NATURAL		Customer Drawing	SCALE	3:1	SHEET	1	OF	1	REV	A1		