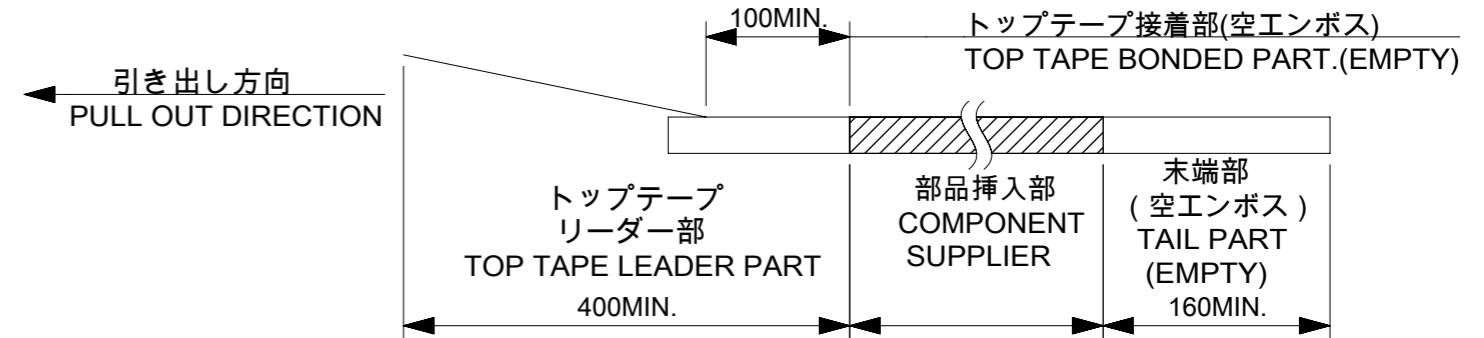
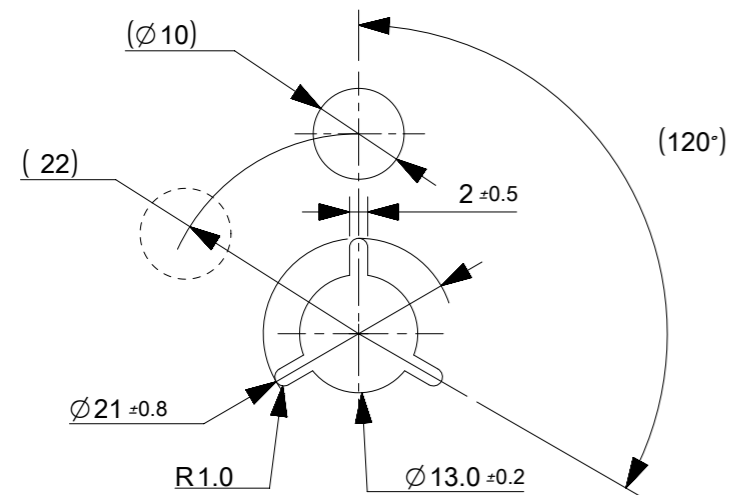


NOTES

- 製品 (50225081**) の詳細寸法については、
図面 5022501003 DOC.PART 000 をご参照ください
IN THE PACKAGE, PART NO. 50225081** DETAILED DIMENSIONS,
REFER TO SALES DRAWING NO. 5022501003 DOC.PART 000.
- 梱包数量 : 3000個 / リール
NUMBER OF CONNECTORS : 3000 PCS/REEL.
- リードテープ長さ
LEAD TAPE LENGTH.



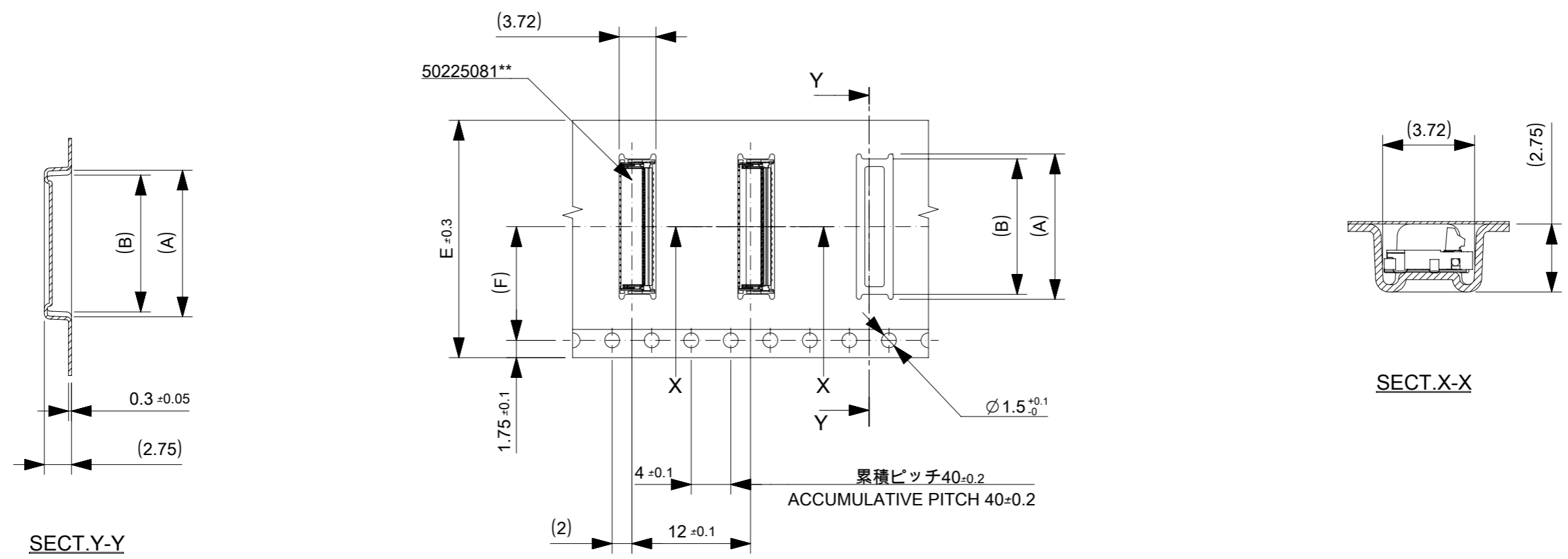
- 材料 (MATERIAL)
キャリアテープ(CARRIER TAPE) : ポリプロピレン(POLYSTYRENE)
トップテープ(TOP TAPE) : PET, OTHER
リール(REEL) : ポリスチレン(POLYSTYRENE)<リサイクル材含む>
<RECYCLE MATERIAL CONTAINED>
- カバーテープの剥離強度については,IEC60286-3に準拠
COVER TAPE PEEL FORCE IS DEFINED BY IEC60286-3.
- ELV 及び RoHS適合品
ELV AND RoHS COMPLIANT.



DETAIL "Z"

THIS DRAWING CONTAINS INFORMATION THAT IS PROPRIETARY TO MOLEX ELECTRONIC TECHNOLOGIES, LLC AND SHOULD NOT BE USED WITHOUT WRITTEN PERMISSION											
EC NO: 104567 DRWN: SM42 CHK'D: KTAKAHASHI APPR: TKUSUHARA01	2016/01/22 2016/05/09 2016/05/09	GENERAL TOLERANCES (UNLESS SPECIFIED)		DIMENSION UNITS	SCALE						
		ANGULAR TOL $\pm 3.0^\circ$		MM	NTS						
		4 PLACES ± 0.2	3 PLACES ± 0.2	2 PLACES ± 0.25	1 PLACE ± 0.3	0 PLACES ± 0.3	DRWN BY	DATE	0.3 FPC CONN E/O B/F HGT=0.9MM EMBSTP PKG		
		DRAFT WHERE APPLICABLE MUST REMAIN WITHIN DIMENSIONS					CHK'D BY	DATE	PRODUCT CUSTOMER DRAWING		
							APPR BY	DATE	SERIES	MATERIAL NUMBER	CUSTOMER
					DRAWING SIZE	THIRD ANGLE PROJECTION	502250	SEE CHART	GENERAL MARKET		
					A3		DOCUMENT NUMBER		DOC TYPE	DOC PART	SHEET NUMBER
							5022500003	PSD	000	1 OF 4	

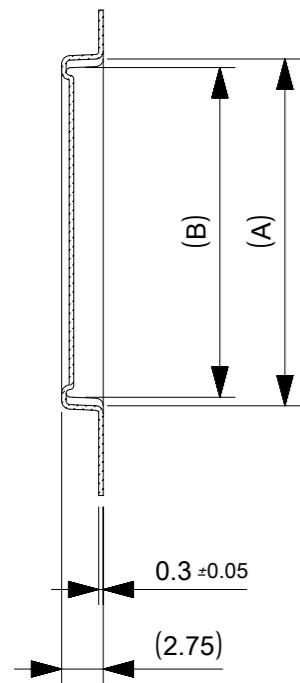
引き出し方向
PULL OUT DIRECTION



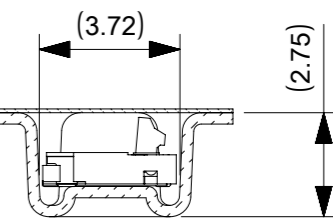
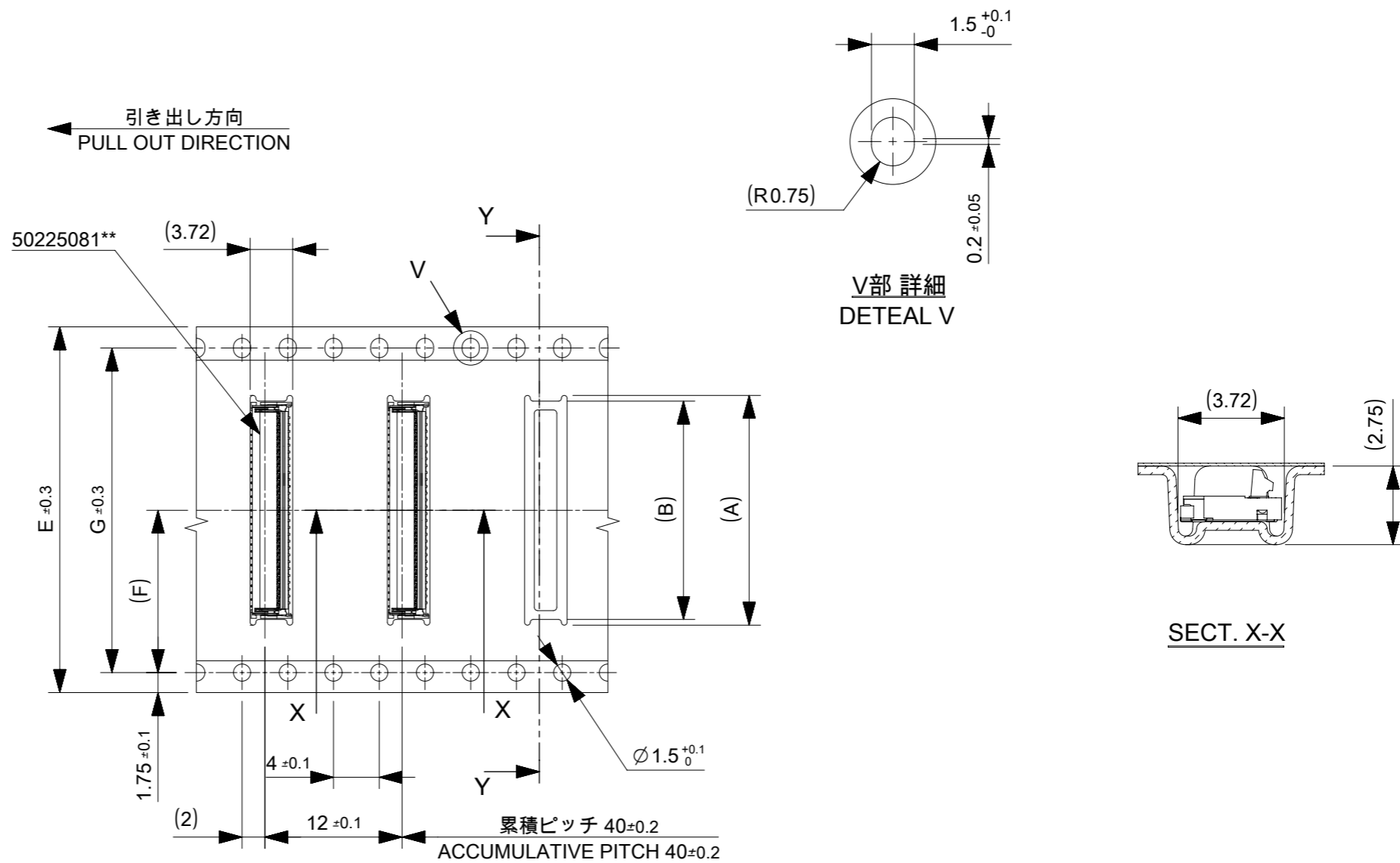
24	11.5	24	29.4	25.4	14.3	15.3	5022508041	41	
					13.1	14.1	5022508037	37	
					10.1	13.1	5022508027	27	
キャリアテープ幅 CARRIER TAPE WIDTH		(F)	E	D	C	(B)	(A)	オーダー番号 ORDER No.	極数 CIRCUIT

THIS DRAWING CONTAINS INFORMATION THAT IS PROPRIETARY TO MOLEX ELECTRONIC TECHNOLOGIES, LLC AND SHOULD NOT BE USED WITHOUT WRITTEN PERMISSION

EC NO: 104567 DRWN: SM42 CHK'D: KTAKAHASHI APPR: TKUSUHARA01	2016/01/22	2016/05/09	2016/05/09	GENERAL TOLERANCES (UNLESS SPECIFIED) ANGULAR TOL ± 3.0 ° 4 PLACES ± 0.2 3 PLACES ± 0.2 2 PLACES ± 0.25 1 PLACE ± 0.3 0 PLACES ± 0.3	DIMENSION UNITS	SCALE			
					MM	NTS			
					DRWN BY	DATE		SM42	2016/01/22
					CHK'D BY	DATE		KTAKAHASHI	2016/05/09
					APPR BY	DATE		TKUSUHARA01	2016/05/09
					DRAWING SIZE	THIRD ANGLE PROJECTION	PRODUCT CUSTOMER DRAWING SERIES: 502250 MATERIAL NUMBER: SEE CHART CUSTOMER: GENERAL MARKET DOCUMENT NUMBER: 5022500003 DOC TYPE: PSD DOC PART: 000 SHEET NUMBER: 2 OF 4		
					A3				



SECT. Y-Y



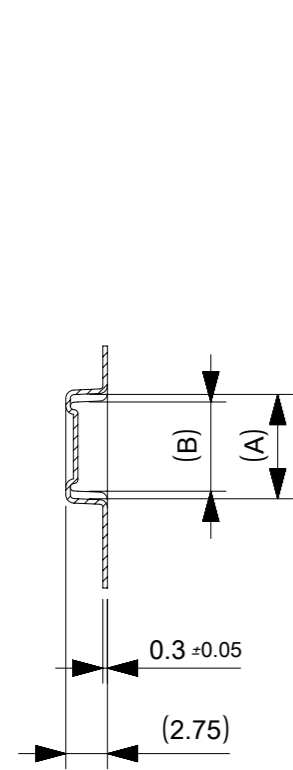
SECT. X-X

32mm幅キャリアテープ
32mm CARRIER TAPE WIDTH

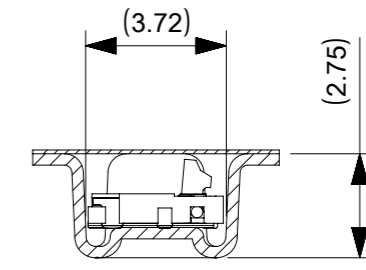
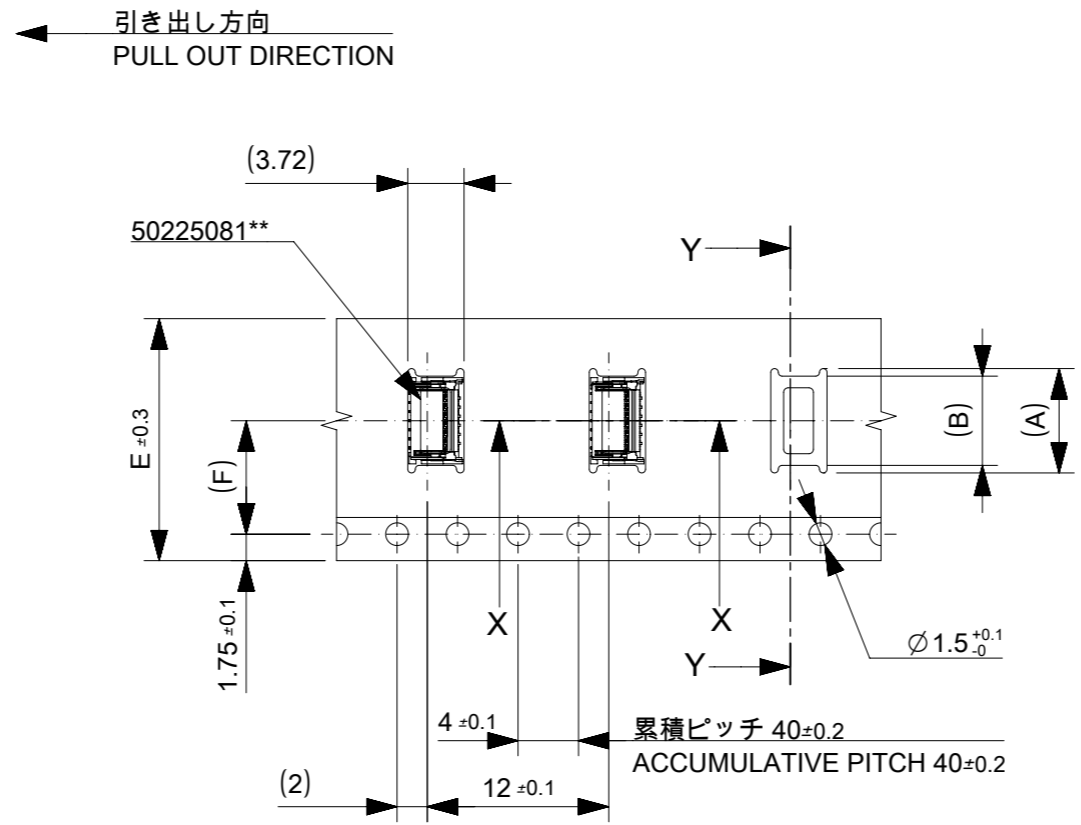
32	28.4	14.2	32	37.4	33.4	17.3	18.3	5022508051	51
キャリアテープ幅 CARRIER TAPE WIDTH	G	(F)	E	D	C	(B)	(A)	製品番号 ORDER NO.	極数 CIRCUIT

THIS DRAWING CONTAINS INFORMATION THAT IS PROPRIETARY TO MOLEX ELECTRONIC TECHNOLOGIES, LLC AND SHOULD NOT BE USED WITHOUT WRITTEN PERMISSION

EC NO: 104567 DRWN: SM42 CHK'D: KTAKAHASHI APPR: TKUSUHARA01	2016/01/22	2016/05/09	2016/05/09	GENERAL TOLERANCES (UNLESS SPECIFIED) ANGULAR TOL ± 3.0 ° 4 PLACES ± 0.2 3 PLACES ± 0.2 2 PLACES ± 0.25 1 PLACE ± 0.3 0 PLACES ± 0.3	DIMENSION UNITS	SCALE					
					MM	NTS		0.3 FPC CONN E/O B/F HGT=0.9MM EMBSTP PKG			
					DRWN BY	DATE					
					SM42	2016/01/22					
					CHK'D BY	DATE	PRODUCT CUSTOMER DRAWING				
					KTAKAHASHI	2016/05/09					
					APPR BY	DATE	SERIES	MATERIAL NUMBER	CUSTOMER		
					TKUSUHARA01	2016/05/09	502250	SEE CHART	GENERAL MARKET		
					DRAFT WHERE APPLICABLE MUST REMAIN WITHIN DIMENSIONS	DRAWING SIZE	THIRD ANGLE PROJECTION	DOCUMENT NUMBER	DOC TYPE	DOC PART	SHEET NUMBER
						A3		5022500003	PSD	000	3 OF 4



SECT. Y-Y

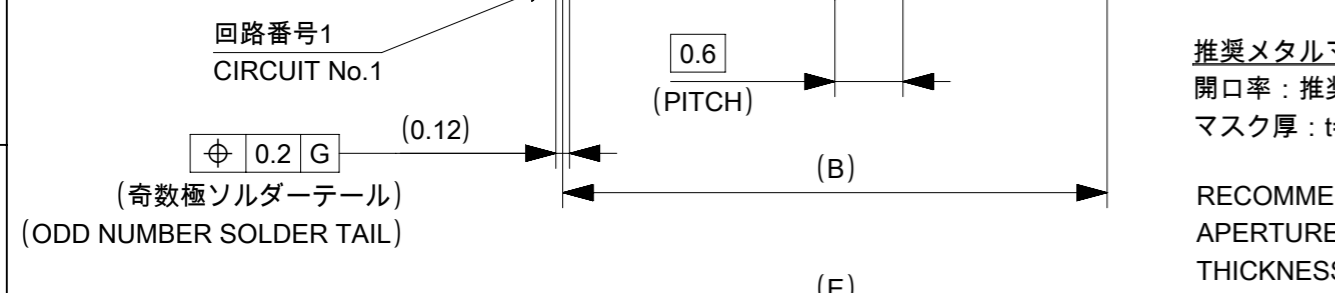
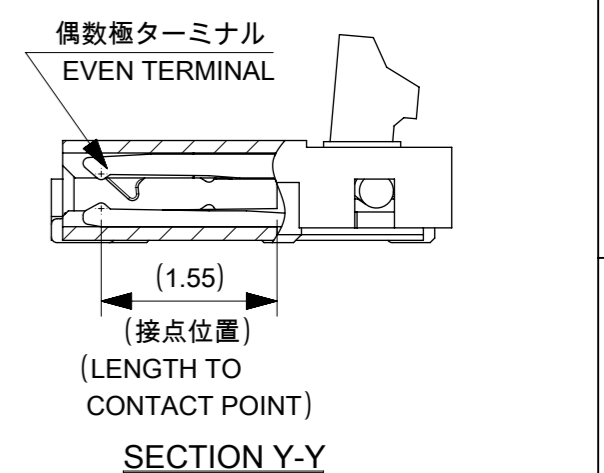
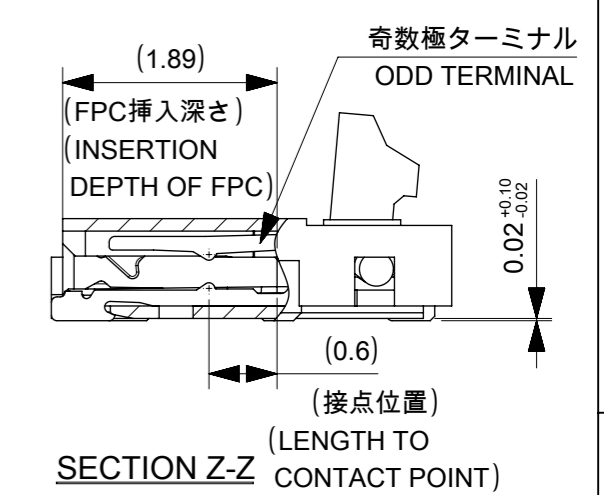
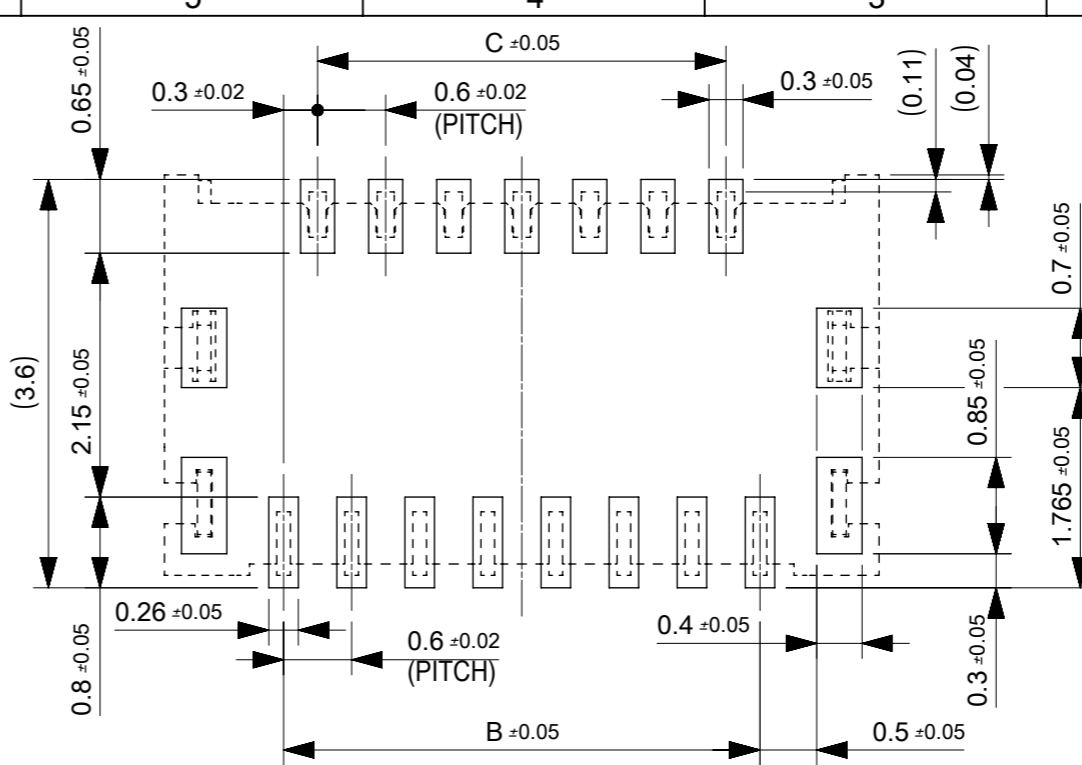
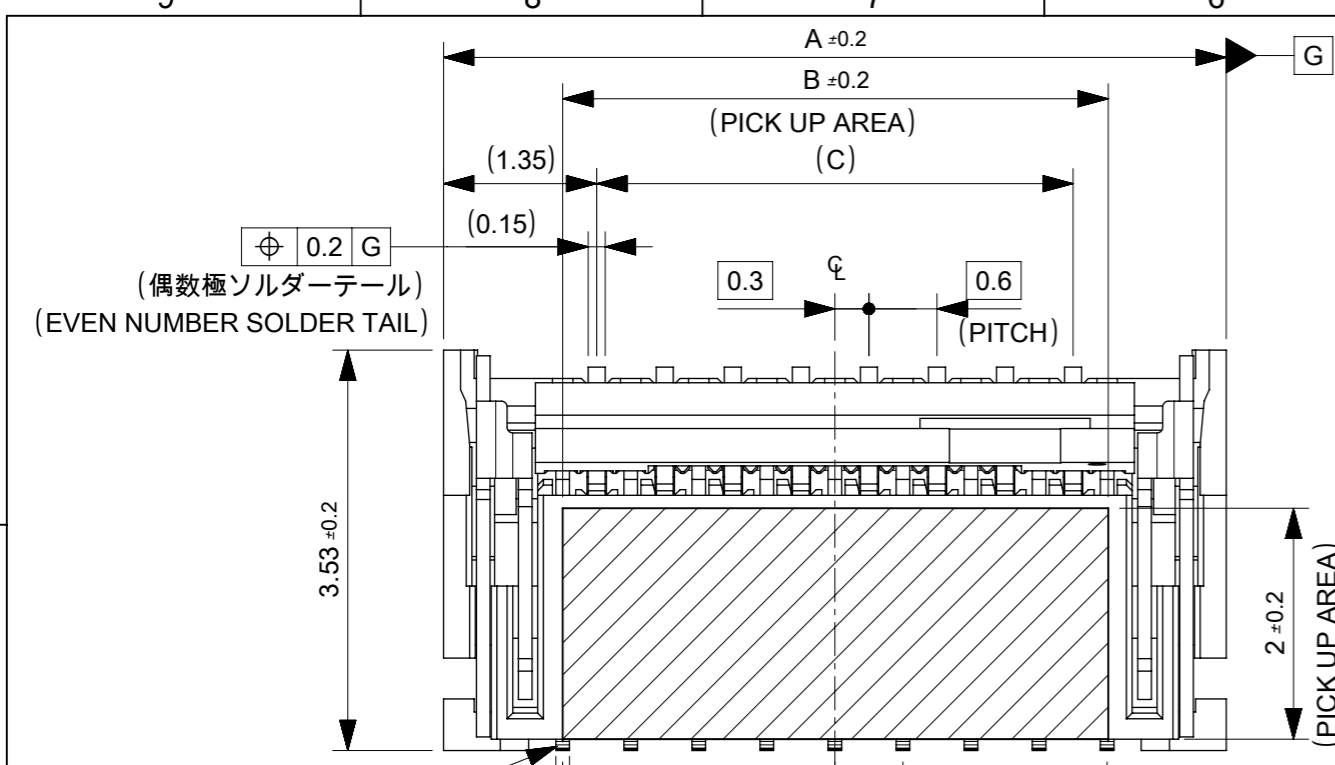


SECT. X-X

16	7.5	16	21.4	17.4	6.5	7.5	5022508015	15	
					5.9	6.9	5022508013	13	
キャリアテープ幅 CARRIER TAPE WIDTH		(F)	E	D	C	(B)	(A)	オーダー番号 ORDER No.	極数 CIRCUIT

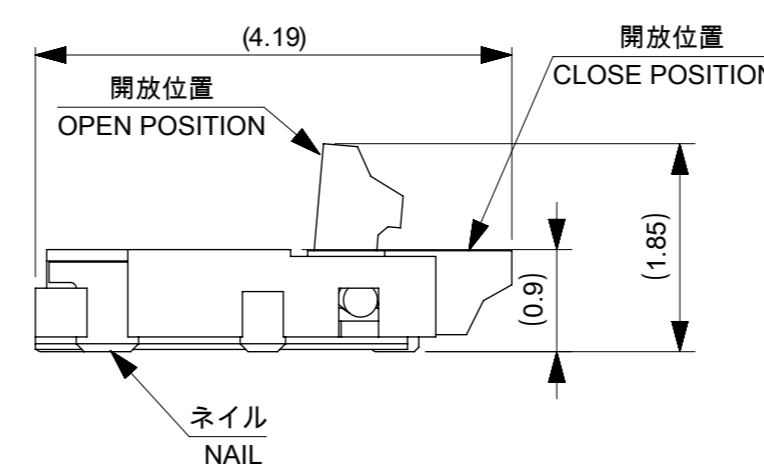
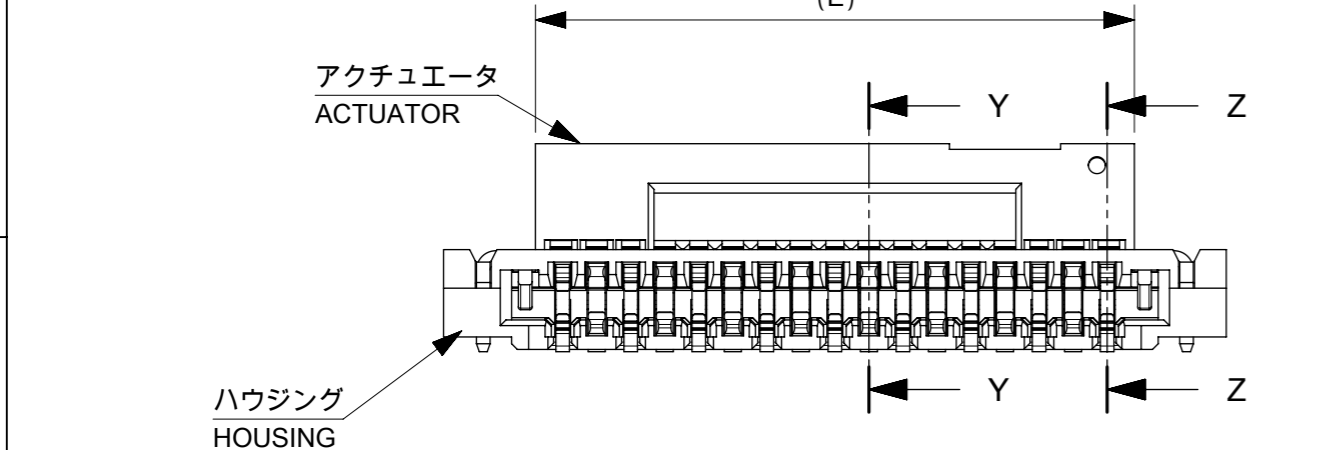
THIS DRAWING CONTAINS INFORMATION THAT IS PROPRIETARY TO MOLEX ELECTRONIC TECHNOLOGIES, LLC AND SHOULD NOT BE USED WITHOUT WRITTEN PERMISSION

EC NO: 104567 DRWN: SM42 CHK'D: KTAKAHASHI APPR: TKUSUHARA01	2016/01/22	2016/05/09	2016/05/09	GENERAL TOLERANCES (UNLESS SPECIFIED) ANGULAR TOL ± 3.0 ° 4 PLACES ± 0.2 3 PLACES ± 0.2 2 PLACES ± 0.25 1 PLACE ± 0.3 0 PLACES ± 0.3 DRAFT WHERE APPLICABLE MUST REMAIN WITHIN DIMENSIONS	DIMENSION UNITS	SCALE				
					MM	NTS				
					DRWN BY	DATE		SM42	2016/01/22	
					CHK'D BY	DATE		KTAKAHASHI	2016/05/09	
					APPR BY	DATE		TKUSUHARA01	2016/05/09	
A	REV				DRAWING SIZE	THIRD ANGLE PROJECTION	PRODUCT CUSTOMER DRAWING			
					A3		SERIES	MATERIAL NUMBER	CUSTOMER	
							502250	SEE CHART	GENERAL MARKET	
							DOCUMENT NUMBER	DOC TYPE	DOC PART	SHEET NUMBER
							5022500003	PSD	000	4 OF 4

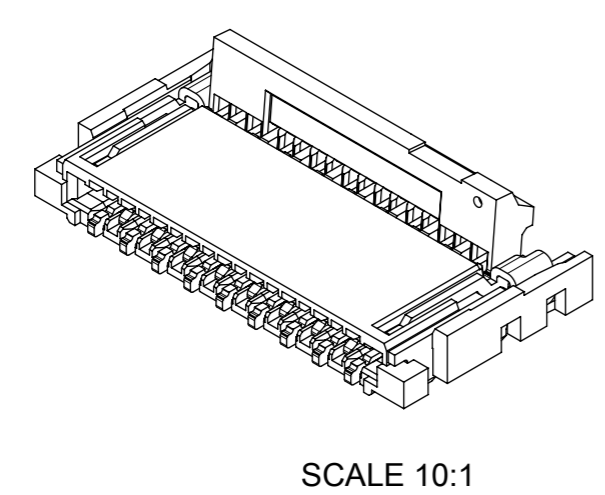


推奨メタルマスク
 開口率：推奨パターン面積の100%
 マスク厚：t=0.1mm
RECOMMENDED METAL MASK SPECIFICATION
 APERTURE RATE : 100%
 THICKNESS : 0.1mm

推奨基板レイアウト図(マウント面)
 P.C. BOARD PATTERN
 RECOMMENDED DIMENSION
 (MOUNTING AREA)



15.3	15.48	15.9	14.4	15	17.1	5022508051	51
12.3	12.48	12.9	11.4	12	14.1	5022508041	41
11.1	11.28	11.7	10.2	10.8	12.9	5022508037	37
8.1	8.28	8.7	7.2	7.8	9.9	5022508027	27
4.5	4.68	5.1	3.6	4.2	6.3	5022508015	15
3.9	4.08	4.5	3.0	3.6	5.7	5022508013	13
F	E	D	C	B	A	EMBOSSED PACKAGE	極数
ORDER No. オーダー番号							CIRCUIT
CONNECTOR SERIES No. 50225081**							



THIS DRAWING CONTAINS INFORMATION THAT IS PROPRIETARY TO MOLEX ELECTRONIC TECHNOLOGIES, LLC AND SHOULD NOT BE USED WITHOUT WRITTEN PERMISSION

EC NO: 104567 DRWN: RLALSANGI CHK'D: KTAKAHASHI APPR: TKUSUHARA01	2016/01/28	2016/05/09	2016/05/09	GENERAL TOLERANCES (UNLESS SPECIFIED) ANGULAR TOL $\pm 3.0^\circ$ 4 PLACES ± 0.2 3 PLACES ± 0.2 2 PLACES ± 0.25 1 PLACE ± 0.3 0 PLACES ± 0.3 DRAFT WHERE APPLICABLE MUST REMAIN WITHIN DIMENSIONS	DIMENSION UNITS	SCALE			
					MM	15:1			
					DRWN BY	DATE		RLALSANGI	2016/01/28
					CHK'D BY	DATE		KTAKAHASHI	2016/05/09
					APPR BY	DATE		TKUSUHARA01	2016/05/09
					DRAWING SIZE	THIRD ANGLE PROJECTION		A3	
0.3 FPC CONN E/O B/F HSG ASSY HGT=0.9MM(DUAL CONTACT)							PRODUCT CUSTOMER DRAWING		
SERIES	MATERIAL NUMBER	CUSTOMER		GENERAL MARKET					
502250	SEE CHART								
DOCUMENT NUMBER				DOC TYPE	DOC PART	SHEET NUMBER			
5022501003				PSD	000	1 OF 2			

注記 NOTES

1. 使用材料 MATERIAL

ハウジング：液晶ポリマー(LCP) ガラス充填 UL94V-0 (黒)
HOUSING : LIQUID CRYSTAL POLYMER(LCP) GLASS FILLED
UL94V-0(COLOR:BLACK)

アクチュエータ：ポリアミド(PA) ガラス充填 UL94HB (黒)
ACTUATOR : POLYAMIDE(PA) GLASS FILLED
UL94HB(COLOR:BLACK)

ターミナル：銅合金,ニッケル下地部分金メッキ (接触部及びテール部)
TERMINAL : COPPER ALLOY,
PARTLY GOLD(CONTACT,TAIL) OVER NICKEL PLATING

ネイル：リン青銅,ニッケル下地錫めっき
FITTING NAIL : PHOSPHOR-BRONZE, TIN OVER NICKEL PLATING

2. メッキ仕様 PLATING

ターミナル TERMINAL

接触部：部分金メッキ 0.1マイクロメートル以上,
ニッケルメッキ 1.0マイクロメートル以上

CONTACT AREA:SEPARATED GOLD 0.1 MICROMETER MIN.
NICKEL 1.0 MICROMETER MIN.

テール部：部分金メッキ

ニッケルメッキ 1.0マイクロメートル以上

TAIL AREA:SEPARATED GOLD.

NICKEL 1.0 MICROMETER MIN.

ネイル FITTING NAIL

錫めっき 1.5マイクロメートル以上,ニッケルメッキ 1.5マイクロメートル以上

TIN 1.5 MICROMETER MIN. NICKEL 1.5 MICROMETER MIN.

3. ソルダーテール半田付け面,及びネイル半田付け面の平坦度

13/15/27/37/41ckt:0.1mm MAX., 51ckt:0.12mm MAX.(リフロー前後)

COPLANARITY OF SOLDER TAILS AND FITTING NAILS

TO BE 13/15/27/37/41ckt:0.1mm MAX., 51ckt:0.12mm MAX.(BEFORE AND AFTER THE REFLOW)

4. 基板実装前にアクチュエータを操作しないで下さい。

PLEASE DO NOT OPERATE THE ACTUATOR BEFORE MOUNTING.

必ず基板に実装し,FPCを挿入してからアクチュエータを操作して下さい。

PLEASE OPERATE THE ACTUATOR AFTER MOUNTING ON

THE SUBSTRATE,AND MATING FPC.

5. 推奨メタルマスク RECOMMENDED METAL MASK SPECIFICATION

マスク厚 : 0.1mm MASK THICKNESS : 0.1mm

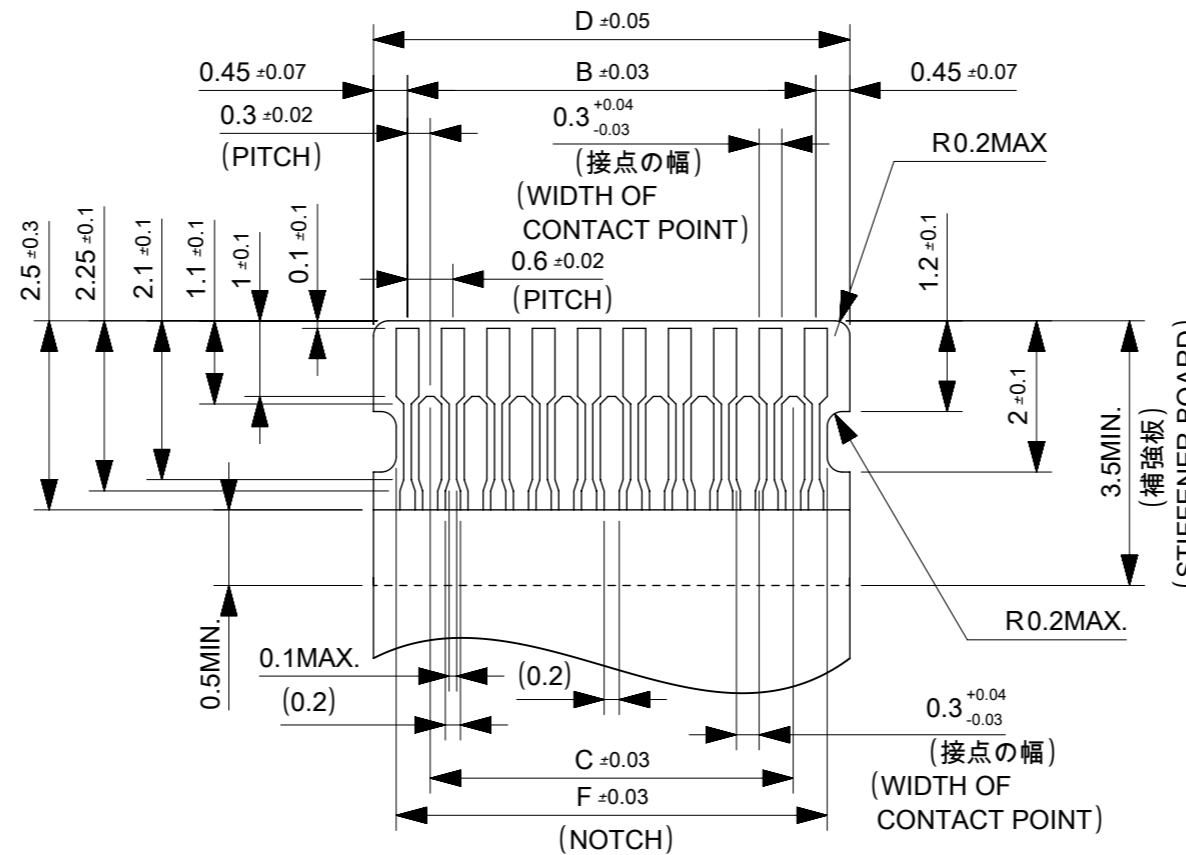
なお,貴社にて上記以外でご使用頂く場合は,事前に確認頂きますようお願い致します。

WHEN USE IT OTHER THAN THE ABOVE IN YOUR COMPANY,

PLEASE CONFIRM IT BEFOREHAND.

6. ELV 及び RoHS適合品

ELV AND RoHS COMPLIANT.



嵌合FPC推奨寸法
APPLICABLE FPC
RECOMMENDED DIMENSION

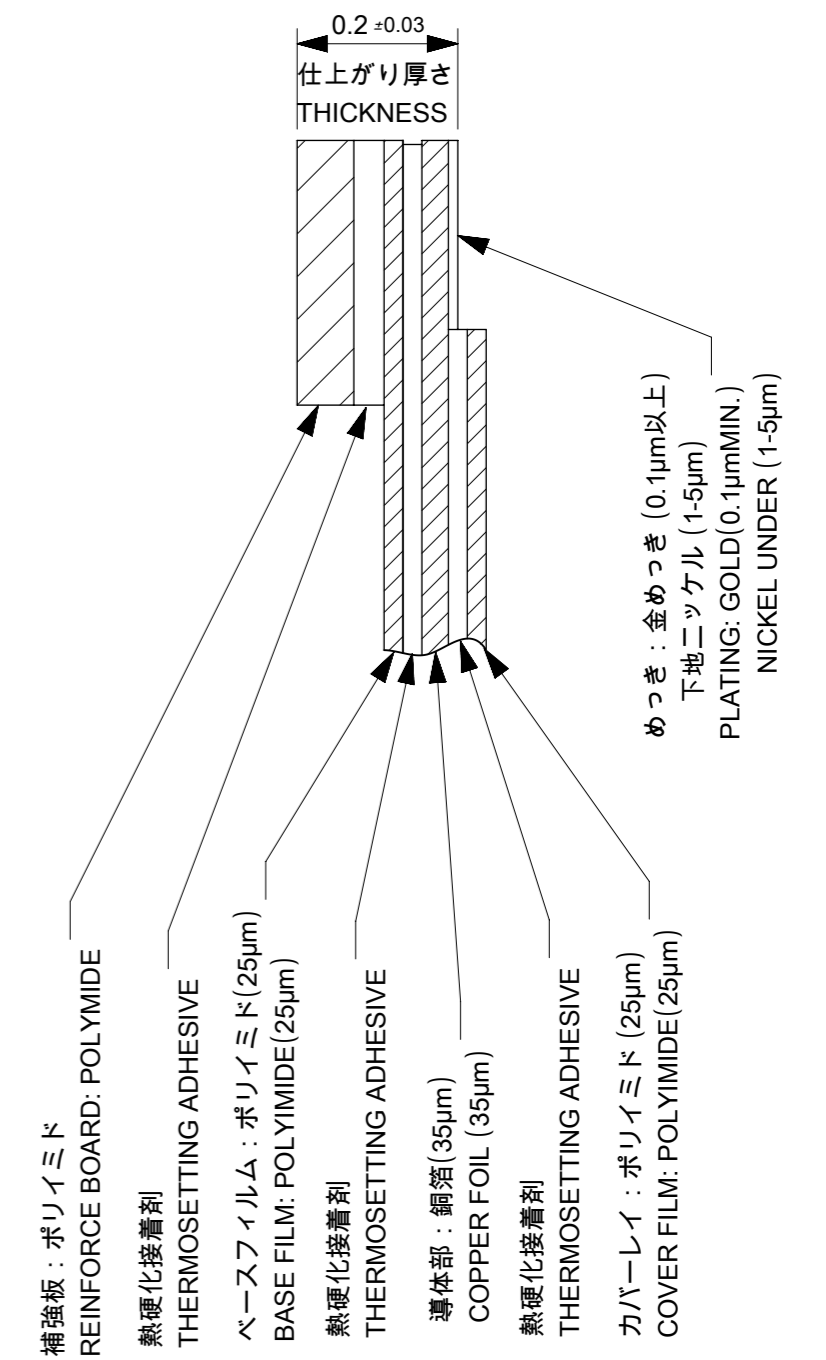
(仕上がり厚さ : 0.2±0.03)
(THICKNESS:0.2±0.03)

FPCについて :

抜き方向は,導体側から補強板側を推奨致します。
補強フィルム材質は,ポリイミドを推奨致します。
接着剤は熱硬化接着剤を推奨します。
尚,接着剤の接触部への付着は導通不良の原因になりますので,
染み出しが無い様,お願い致します。

ABOUT FPC:

RECOMMENDED PUNCHER DIRECTION:
FROM CONDUCTOR SIDE TO STIFFNER FILM SIDE.
RECOMMENDED MATERIAL:
STIFFENER FILM : POLYIMIDE
BONDING AGENT : THERMOSETTING AGENT
PLEASE PUT APPROPRIATE AMOUNT OF ADHESIVE ON ADHEREND
BECAUSE THERE IS A POSSIBILITY THAT THE EXTRA ADHESIVE
CAUSES THE DEFECT IN ELECTRICAL CONTINUITY.



FPC構成推奨仕様
STRUCTURE OF FPC

THIS DRAWING CONTAINS INFORMATION THAT IS PROPRIETARY TO MOLEX ELECTRONIC TECHNOLOGIES, LLC AND SHOULD NOT BE USED WITHOUT WRITTEN PERMISSION

EC NO: 104567 DRWN: RLALSANGI CHK'D: KTAKAHASHI APPR: TKUSUHARA01	2016/01/28	2016/05/09	2016/05/09	GENERAL TOLERANCES (UNLESS SPECIFIED) ANGULAR TOL ± 3.0 ° 4 PLACES ± 0.2 3 PLACES ± 0.2 2 PLACES ± 0.25 1 PLACE ± 0.3 0 PLACES ± 0.3	DIMENSION UNITS	SCALE		
					MM	15:1		
					DRWN BY	DATE		RLALSANGI 2016/01/28
					CHK'D BY	DATE		KTAKAHASHI 2016/05/09
					APPR BY	DATE	TKUSUHARA01 2016/05/09	
					DRAWING SIZE	THIRD ANGLE PROJECTION	PRODUCT CUSTOMER DRAWING	
					A3		SERIES: 502250 MATERIAL NUMBER: SEE CHART CUSTOMER: GENERAL MARKET	
							DOCUMENT NUMBER: 5022501003 DOC TYPE: PSD DOC PART: 000 SHEET NUMBER: 2 OF 2	