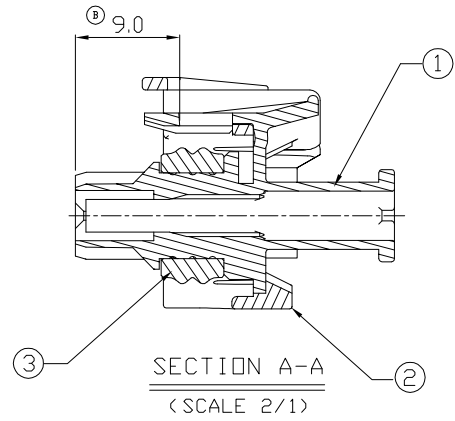
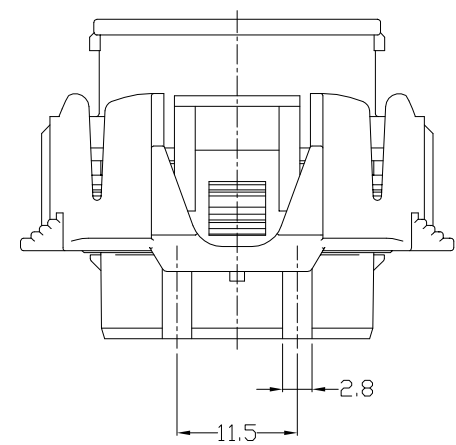
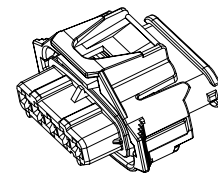


REVISIONS					
P	LTR	DESCRIPTION	DATE	DWN	APVD
B1		REVISED ( ECR-16-005533 )	15. MAY. '16	JM	JW



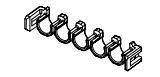
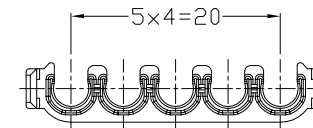
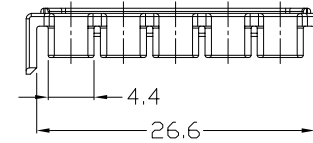
ASSEMBLY



3D VIEW  
(SCALE 1/1)

ACCESSORIES DRAWING

①. DBL HSG : P/N:936110  
SCALE : 2/1

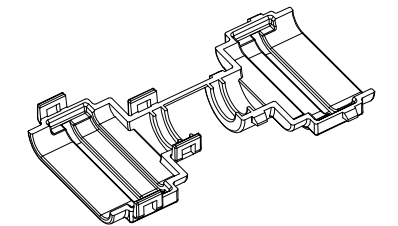


3D VIEW (SCALE 1:1)

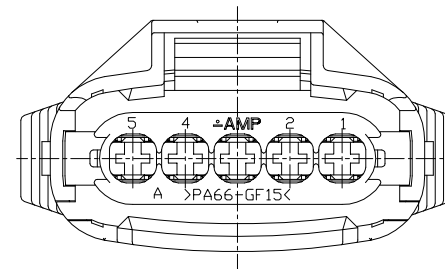
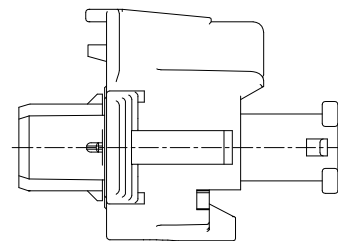
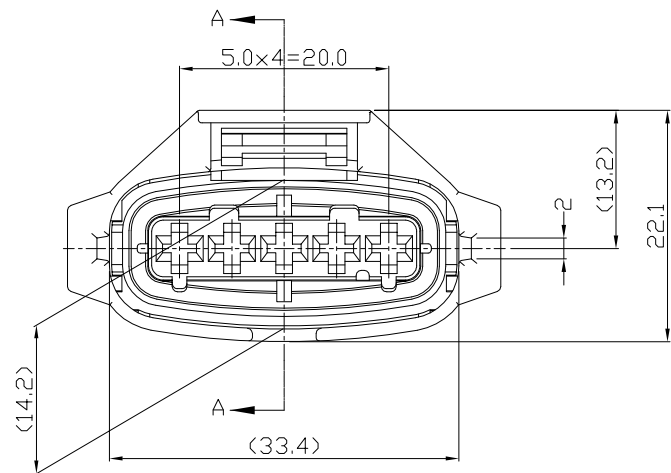
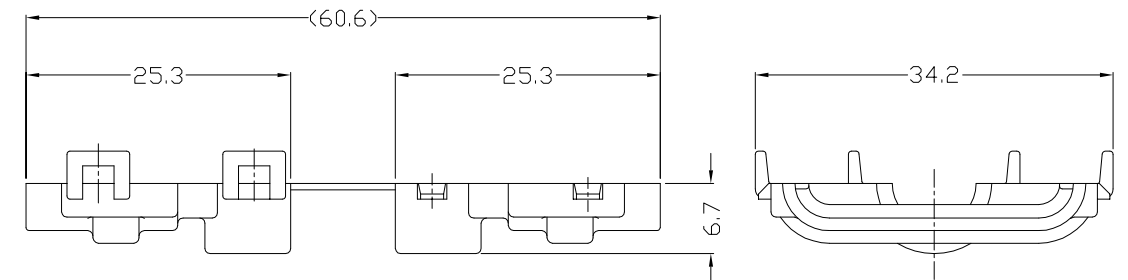
NOTE;  
①) MATERIAL : PBT

②. COVER HSG : P/N:936113  
SCALE : 2/1

NOTE;  
①) MATERIAL : NYLON 66  
2) CORRUGATOR DIAMETER :  $\phi$ 7.0



3D VIEW (SCALE 1:1)



4. APPLIED RECEPTACLE CONTACT P/N:

DESCRIPTION	2.8mm SENSOR-FLAT RECEPTACLE	
Part NO.	967542	967543
WIRE SIZE (mm <sup>2</sup> )	0.5 ~ 1.0	1.25 ~ 2.5

5. APPLIED WIRE SEAL P/N:

DESCRIPTION	SINGLE-WIRE SEAL (5mm Hole)	
Part NO.	828904	828905
INSULATION DIA. ( $\phi$ )	1.2 ~ 2.1mm	2.2 ~ 3.0mm

(B1) (TABLE 1)

CODE I : 936062-X	CODE II : TBD
20	7.0
CODE III : TBD	CODE IV : TBD
10	10
13.5	13.5

NOTE;  
 ① CODING IS AS FOLLOWS; SEE TABLE 1.  
 2. 0.15 MAX. WARPAGE AND 0.2 MAX. FLASH ARE PERMISSIBLE  
 3. SURFACE DEFECTS ARE NOT ACCEPTABLE AS FOLLOWS: SINK, WELD LINES, HAIRCRACKS, STAINS & SCORES

Q' TY	P/N	DESCRIPTION	MATERIAL	COLOR	NO
1	936802-1	INNER SEAL	SILICON	RED ORANGE	3
1	(B1) 936109-3	PROTECTOR HSG	PA 66 GF15	GRAY	2
1	936109-1	PROTECTOR HSG	PA 66 GF15	BLACK	2
1	TBD	PLUG HSG	PA 66 GF15	BLACK	1
1	TBD	PLUG HSG	PA 66 GF15	BLACK	1
1	TBD	PLUG HSG	PA 66 GF15	BLACK	1
1	936108-1	PLUG HSG	PA 66 GF15	BLACK	1

ASSEMBLY P/N	(B1) 936062-3	TBD	TBD	TBD	936062-1
	THIS DRAWING IS A CONTROLLED DOCUMENT FOR AMP INCORPORATED. IT IS SUBJECT TO CHANGE AND THE CONTROLLING ENGINEERING.				
	DIMENSIONS: mm		TOLERANCES UNLESS OTHERWISE SPECIFIED:		
	3rd ANGLE PROJECTION		FINISH: -----		
MATERIAL: SEE TABLE		DWN: JM JEDN		CHK: JM JEDN	
		APVD: JW JUNG		NAME: -----	
		PRODUCT SPEC: -----		APPLICATION SPEC: 114-18144	
		WEIGHT: -----		SIZE: A2	
				CAGE CODE: 00779	
				DRAWING NO: 936062	
				SCALE: 2/1	
				SHEET 1 OF 1	
				REV B1	