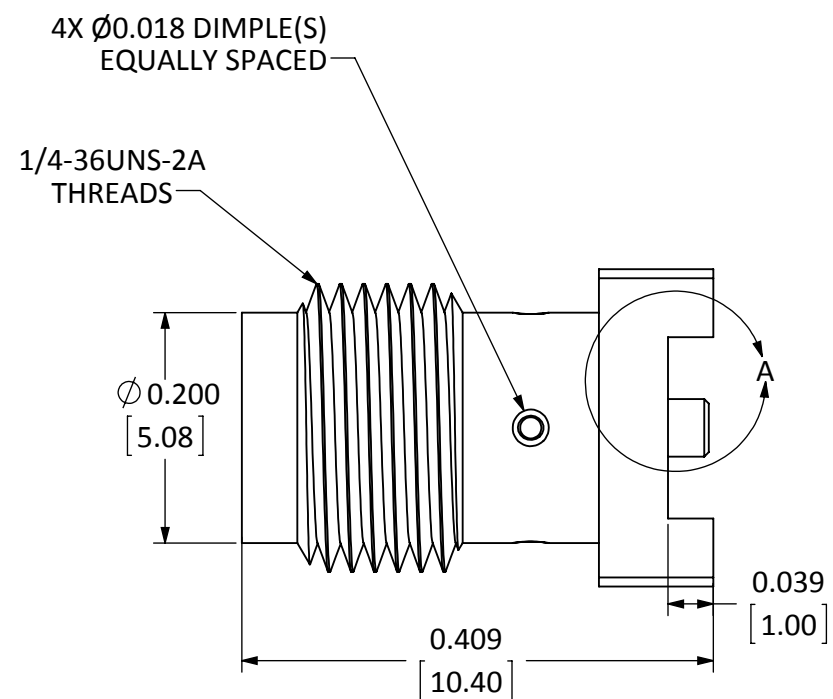
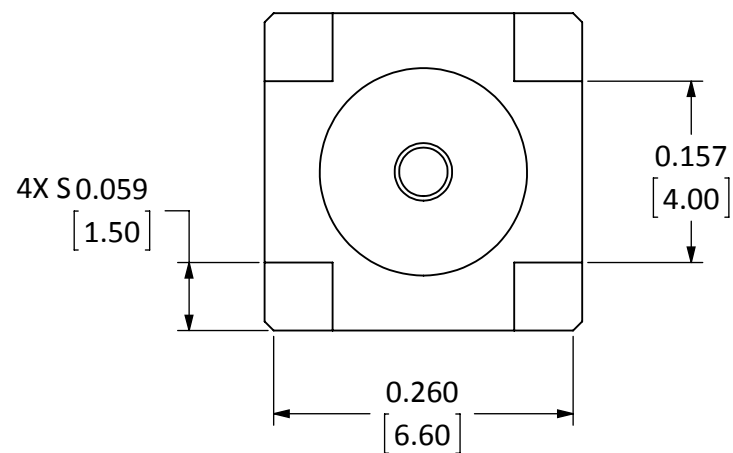


DESCRIPTION	MATERIAL	FINISH
BODY	BRASS	GOLD
SOCKET	Be Cu	GOLD
INSULATION	PTFE	N/A

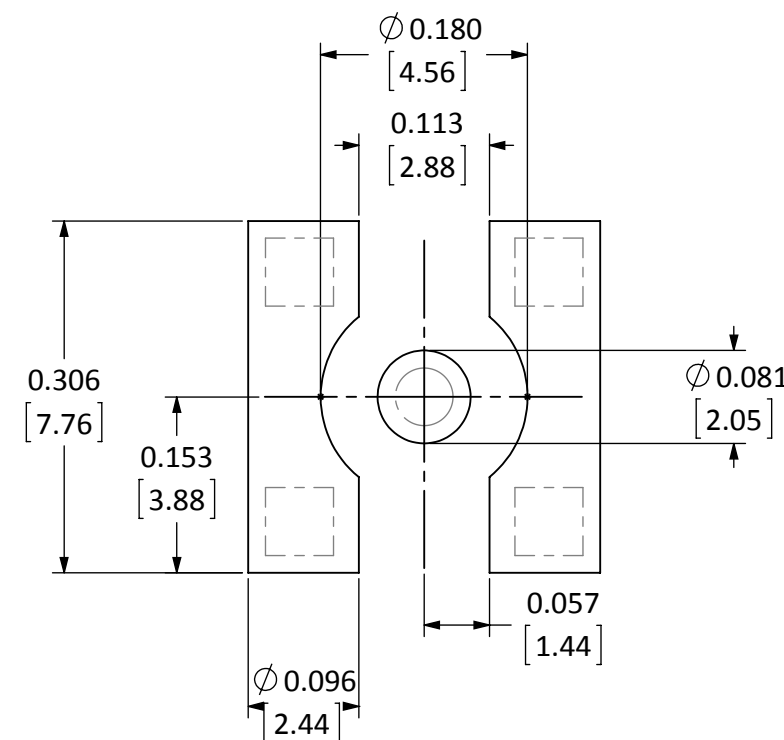
REVISIONS			
REV	DESCRIPTION	DATE	APPV
B	RECOMMENDED FOOTPRINT REVISED; GOLD & NICKEL FINISH OPTIONS	9/25/09	CJ
C	ADDED NEW TITLE BLOCK; UPDATED RECOMMENDED FOOTPRINT	19-JUL-13	BPM
D	ADDED DIMPLING TO PART; REMOVED FINISH OPTIONS	3-JUN-13	SAH
E	ADDED CONTACT TO STANDOFF DIMENSION; UPDATED NOTE 3	3-MAY-16	SAH



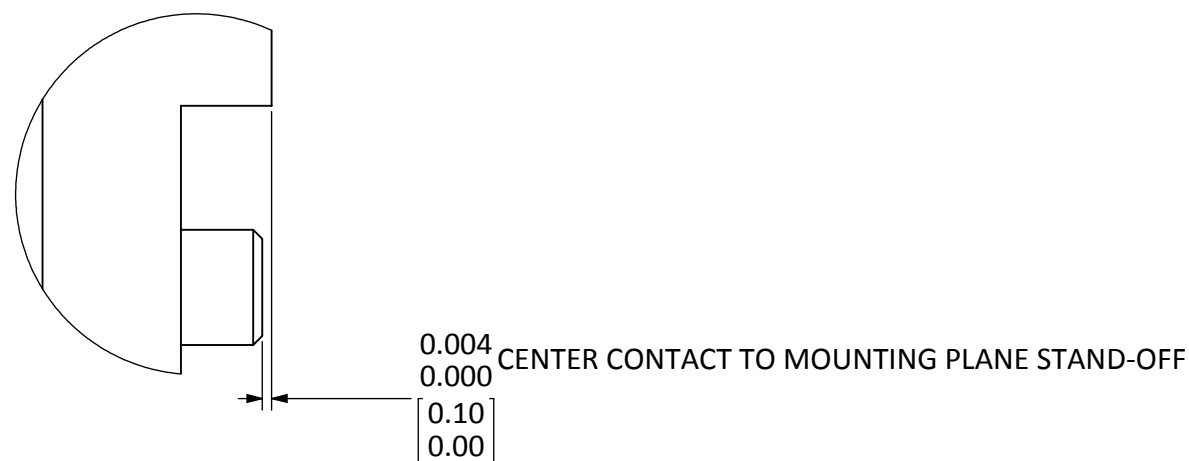
SIDE VIEW



BACK VIEW



RECOMMENDED FOOTPRINT



DETAIL A  
SCALE 12 : 1

- NOTES: (UNLESS OTHERWISE SPECIFIED)
1. ALL DIMENSIONS ARE IN INCHES [mm].
  2. DIMENSIONS APPLY AFTER FINISHING.
  3. MANUFACTURE TO BE COMPLIANT WITH EU RoHS DIRECTIVE, USE MATERIALS THAT DO NOT CONTAIN REACH SUBSTANCES OF VERY HIGH CONCERN >1000ppm, AND USE DRC CONFLICT-FREE SOURCED MATERIALS.
  4. SAFETY BREAK ALL SHARP CORNERS AND EDGES .02 MAXIMUM.

**WARNING:** THIS DRAWING CONTAINS PROPRIETARY INFORMATION THAT IS THE SOLE PROPERTY OF LINX TECHNOLOGIES, AND SHALL BE TREATED AS SUCH. NO DISCLOSURE OR REPRODUCTION OF THIS DOCUMENT IS PERMITTED, IN WHOLE OR IN PART, WITHOUT THE EXPRESS WRITTEN PERMISSION OF LINX TECHNOLOGIES OR ITS DESIGNATED AGENTS.

**Linx** 159 ORT LANE  
MERLIN, OR 97532

MATERIAL:		INTERPRET DIMENSIONS AND TOLERANCES PER ASME Y14.5.	PROJECTION:	TITLE:	
FINISH:		SURFACE FINISH: $\sqrt{}$ ANGLES: $\pm 1^\circ$		SMA FEMALE PCB MOUNT SURFACE MOUNT	
DRAWN: B.MURPHY		DT: 22-APR-13	SIZE	DWG. NO.	REV
ENGR: S.HOGAN		DT: 3-JUN-13	<b>B</b>	CON SMA001-SMD-G	<b>E</b>
SCALE: 6:1		DO NOT SCALE DRAWING	SHEET 1 OF 1		