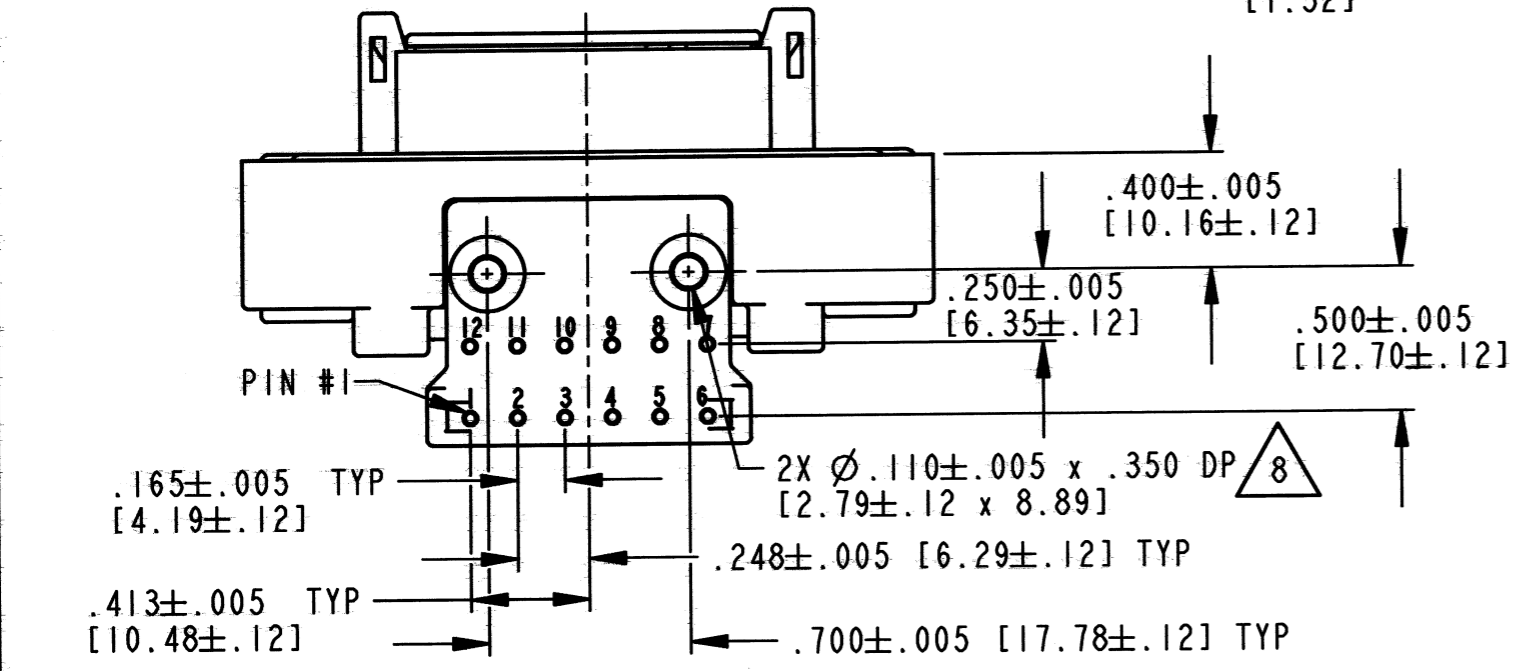
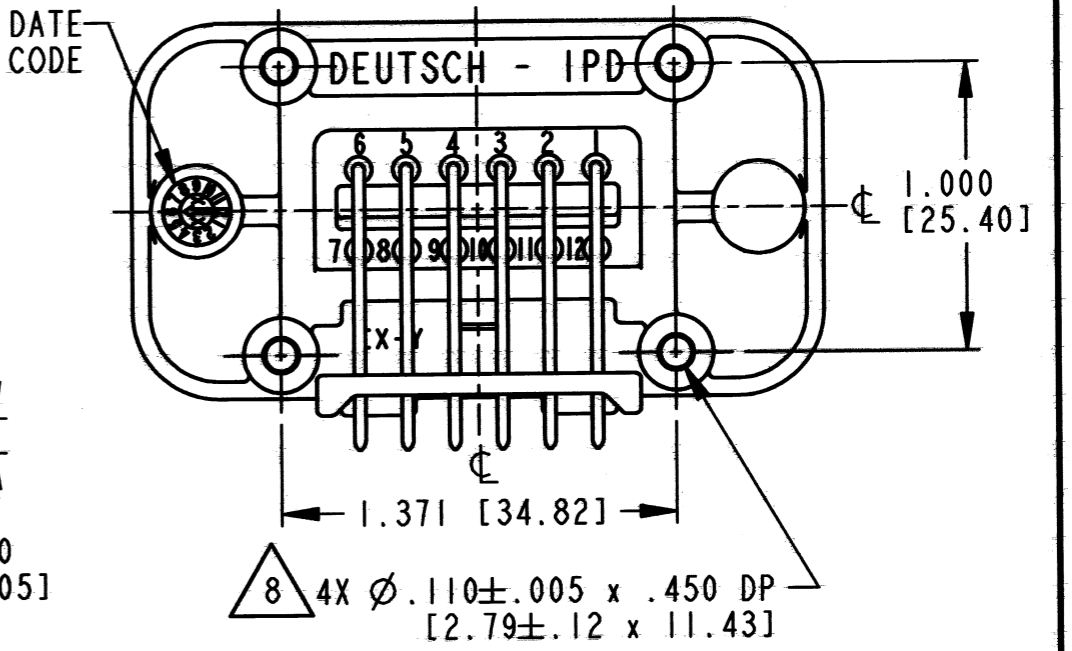
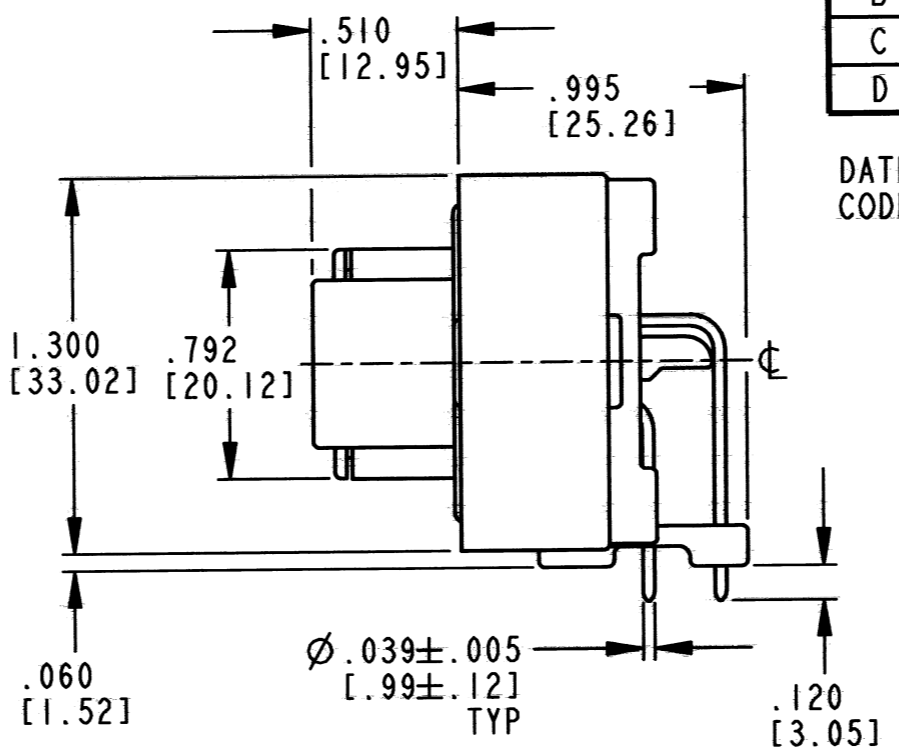


REV
D
DTM13-12P*

REVISIONS			
SYM	DESCRIPTION	DATE	APPROVED
A	REVISED PER E.O. P19340	8/24/06	R.D.R.
B	REVISED PER E.O. P19482	12/19/07	R.D.R.
C	REVISED PER E.O. P20684	12/6/10	R.D.R.
D	REVISED PER E.O. P21143	10-24-11	RDR



- 9 SURFACE FINISH: 32 RMS OR BETTER; \square .005 [.12]
- 8 RECOMMENDED SCREW: 4-20 [M3.12 x 1.27] THREAD-FORMING SCREW. TORQUE: 6-10 IN-LB [.68-1.13 NM].
- 7 RECOMMENDED SCREW: 6-19 [M3.63 x 1.34] THREAD-FORMING SCREW. TORQUE: 10-20 IN-LB [1.13-2.25 NM].
- 6 SEE SHEET 2 FOR OTHER KEY ARRANGEMENTS.

5. THIS RECEPTACLE MATES WITH DTM06-12S*-**** PLUG (*=A,B,C,D KEYS; ****=ALL MODIFICATIONS).

- 4. CONTACT PLATING - MATING & PCB SIDE: TIN.
 - 3. MATERIAL - PLASTIC (HOUSING:GRAY; SLEEVE RETAINER: SEE SHEET 2); SEALS: RUBBER.
 - 2. DIMENSION TOLERANCE:±.025 [.64]; PANEL CUTOUT:±.010 [.25].
 - 1. DIMENSIONS ARE IN INCHES [mm].
- NOTES: UNLESS OTHERWISE SPECIFIED

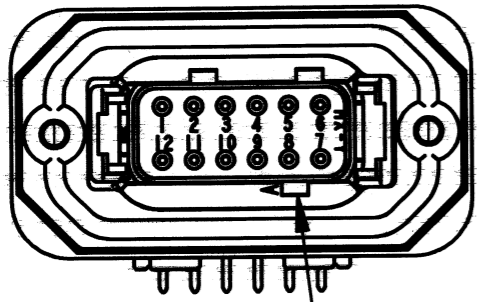
SIGNATURE & DATE	
DR	D. MEYER 04/23/02
CHK	<i>[Signature]</i> 10/7/2011
PE	<i>[Signature]</i> 9/30/11
APPD	<i>[Signature]</i> 10/7/11
SCALE	NONE WT

RECEPTACLE
12 #20 SIZE CONTACTS
KEY ARRANGEMENTS
A, B, C & D
DTM SERIES

ENVELOPE

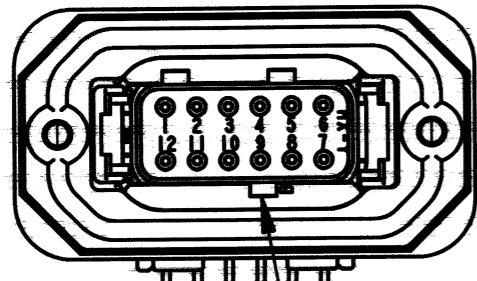
EP	MATL. CODE
3850 INDUSTRIAL AVE. HEMET, CA 92545 DEUTSCH INDUSTRIAL	
B	DTM13-12P*
DWG SIZE	CODE 11139 SHEET 1 OF 2

DTM13-12PA
KEY:-A-



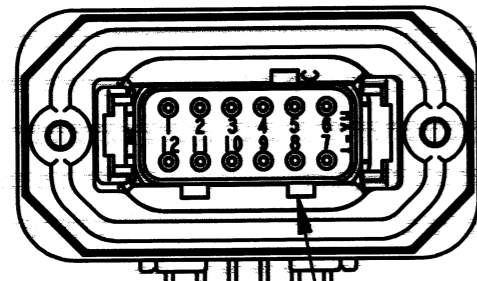
3X KEYWAY
SLEEVE RETAINER: GRAY

DTM13-12PB
KEY: -B-



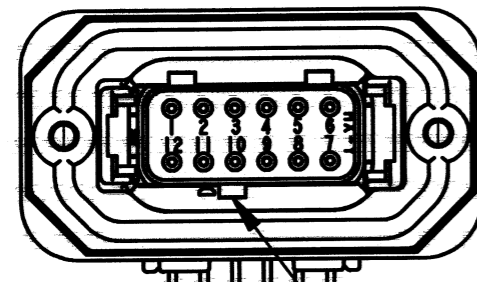
3X KEYWAY
SLEEVE RETAINER: BLACK

DTM13-12PC
KEY: -C-



3X KEYWAY
SLEEVE RETAINER: GREEN

DTM13-12PD
KEY: -D-

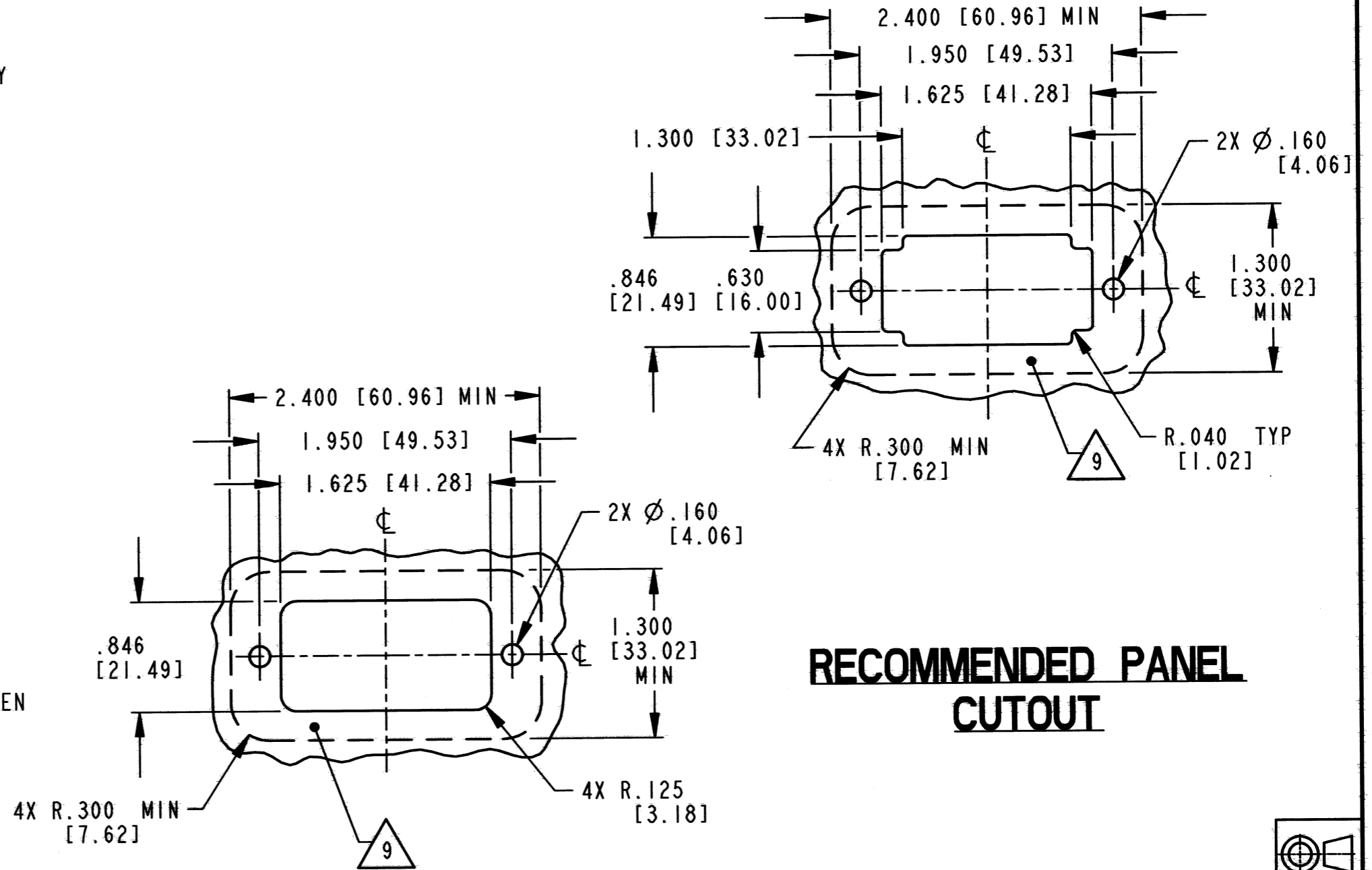


3X KEYWAY
SLEEVE RETAINER: BROWN

NOTES:

REV
D DTM13-12P *

REVISIONS			
SYM	DESCRIPTION	DATE	APPROVED
D	SEE SHEET ONE	10-24-11	RDR



**RECOMMENDED PANEL
CUTOUT**

SIGNATURE & DATE	
DR	D. MEYER 04/23/02
CHK	<i>[Signature]</i> 10/9/2011
PE	<i>[Signature]</i> 9/30/11
APPD	<i>[Signature]</i> 10/2/11
SCALE	NONE
WT	

RECEPTACLE
12 #20 SIZE CONTACTS
KEY ARRANGEMENTS
A, B, C & D
DTM SERIES

ENVELOPE

EP	MATL. CODE
3850 INDUSTRIAL AVE. HEMET, CA 92545 DEUSCH INDUSTRIAL	
B	DTM13-12P *
DWG SIZE	CODE 11139 SHEET 2 OF 2