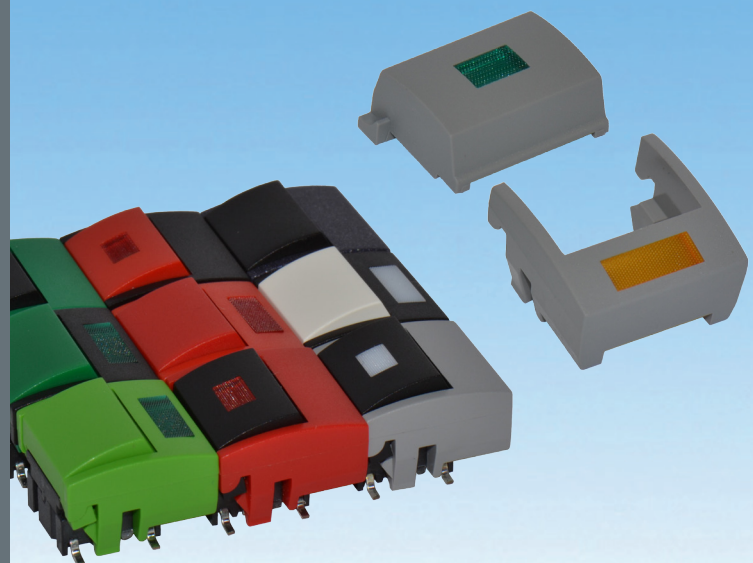




1B/1C cap and 2C/2D bezel series have an award-winning design. The cap is connected to the bezel with a hinge-type retention system and the bezel snaps on to the switch.

The series provides many design options with its solid and transparent colour range as well as different illumination options.

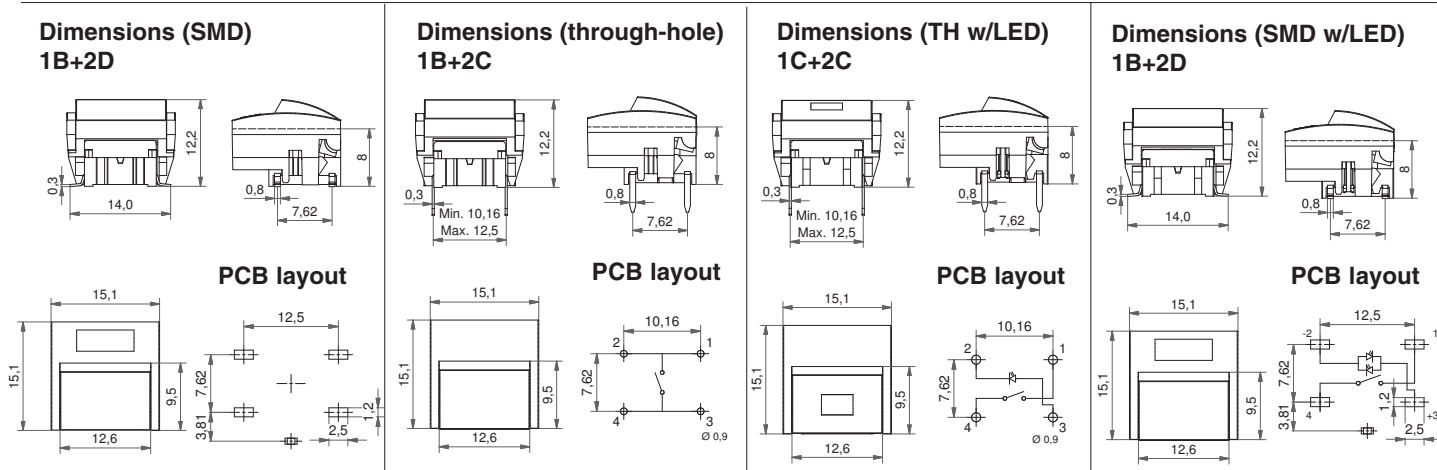
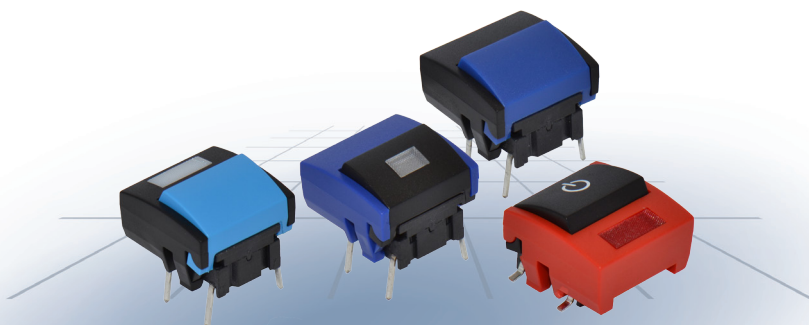
Illumination can be achieved by using 1B cap in transparent colour, 1C cap with a lens or 2D bezel with a lens where LED is placed on the PCB.



Distributor:

Technical Data:

- through-hole or SMD
- 50mA/24VDC
- single pole/momentary
- 10.000.000 operations lifetime
- IP67 sealing
- temp. range: switch: -40/+160°C
LED: -30/+85°C
solid keycap: -40/+65°C
transparent keycap: -40/+85°C
- actuation force: 2.0, 3.5, 6.5 N



HOW TO ORDER illuminated

5 G				1 C				2 C		
Switch	Mounting	Actuation force	LED	Cap	Colour code	Colour code		Bezel	Colour code	
TH9 through-hole	TH9 through-hole	20	01 blue	solid						
SH9 surface mount	SH9 surface mount	35	22 green	colour						
		65	42 yellow							
		Q*	61 white	1 B				2 D		
			82 red	Cap	Colour code		Bezel	Colour code	Colour code	Lens code
			2242 green/yellow	transparent						
			8222 red/green							
			8242 red/yellow							

HOW TO ORDER non-illuminated

5 G			1 B		2 C		or	2 D			
Switch	Mounting	Actuation force	Cap	Colour code	Bezel	Colour code		Bezel	Colour code	Lens code	
TH9 through-hole	TH9 through-hole	20	solid								
SH9 surface mount	SH9 surface mount	35	colour								
		65									
		Q*									

*Quiet version only available for actuation force 2.0N (20) and the letter Q is added to the end of the switch part number. See the order-

COLOUR CODES

Transparent caps

10 frosted blue 16 frosted white
 11 transparent 18 frosted red
 12 frosted green
 14 frosted yellow

Solid caps

00 blue 06 white
 02 green 08 red
 03 grey 09 black
 04 yellow

For 1B and 2C only:

30 ultra blue 33 tele grey 50 metal dark blue
 40 dusty blue 34 melon 53 metal light grey
 42 aqua blue 38 noble red 57 metal dark grey
 32 mint green 58 metal bordeaux

Lenses

1 transparent
 2 green
 4 yellow
 6 frosted white
 8 red

Ordering example: 5GTH93561+1C001+2C09 with illumination
 5GSH954+1B08+2D081 without illumination
 **5GSH92001Q or 5GTH920Q (quiet version)

Dimensions (mm) Unless otherwise specified, all tolerances +/- 0,2

For updates of products and/or changes of specifications please see www.mec.dk

See colour codes on our website: www.mec.dk