

127 mm sq.

San Ace 127



General Specifications

- Material Frame: Aluminum, Impeller: Plastics (Flammability: UL94V-0)
- Expected Life Refer to specifications (L10:Survival rate:90% at 60°C , rated voltage, and continuously run in a free air state)
- Lead Wire ⊕red ⊖black or blue (Sensor) yellow
- Storage Temperature -30°C to +70°C (Non-condensing)

127×127×38mm (Mass : 400g) **9E type**

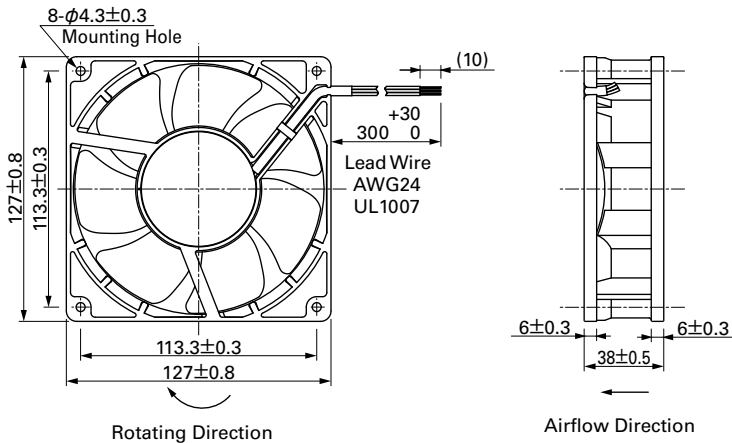
Specifications

The following nos. **have pulse sensors.**

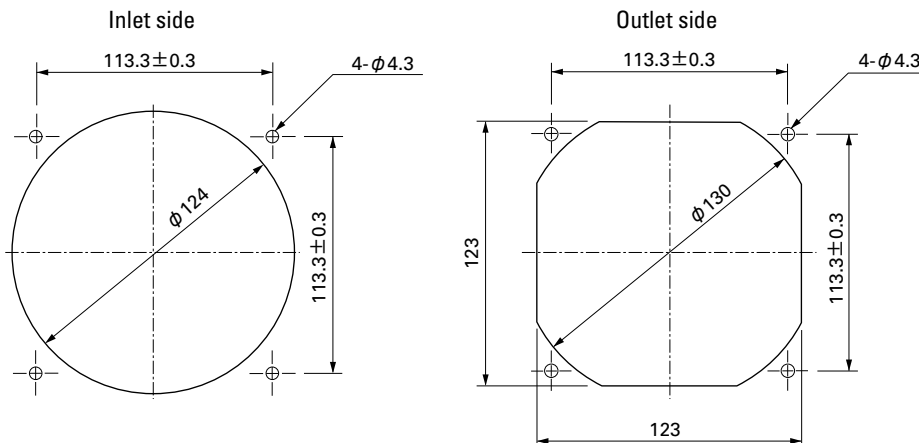
Model No.	Rated Voltage [V]	Operating Voltage Range [V]	Rated Current [A]	Rated Input [W]	Rated Speed [min ⁻¹]	Max. Airflow [m ³ /min] [CFM]	Max. Static Pressure [Pa] [inchH ₂ O]	SPL [dB(A)]	Operating Temperature [°C]	Expected Life [h]
109E1312A101	12	10.2 to 13.8	1.4	16.8	3,850	4.81 170	155 0.622	52	-20 to +70	60,000/60°C
109E1312S101			1.2	14.4	3,450	4.37 154	125 0.502	49		
109E1324G101	24	20.4 to 27.6	1.1	26.4	4,550	5.66 200	216 0.867	57	-20 to +60	40,000/60°C
109E1324A101			0.7	16.8	3,850	4.81 170	155 0.622	52		
109E1324S101			0.53	12.7	3,450	4.37 154	125 0.502	49		
109E1348G101	48	40.8 to 55.2	0.54	25.9	4,550	5.66 200	216 0.867	57	-20 to +60	40,000/60°C
109E1348A101			0.36	17.3	3,850	4.81 170	155 0.622	52		
109E1348S101			0.28	13.4	3,450	4.37 154	125 0.502	49		

Other sensor specifications are available as options. Please refer to the index (p. 495).

Dimensions (unit: mm)



Reference Dimensions of Mounting Holes and Vent Opening (unit: mm)



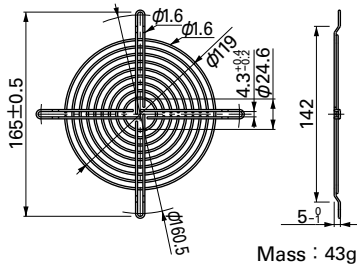
Options (unit: mm)

Finger Guards

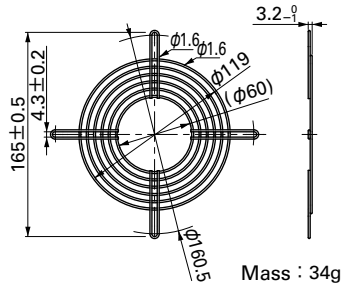
Model : 109-722 Surface treatment : Nickel-chrome plating (silver) Color (silver)

Model : 109-723 Surface treatment : Nickel-chrome plating (silver) Color (silver)

Inlet side, Outlet side

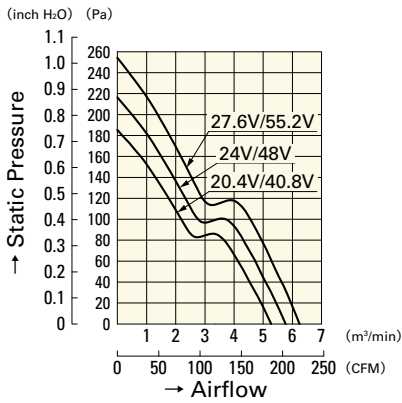


Outlet side



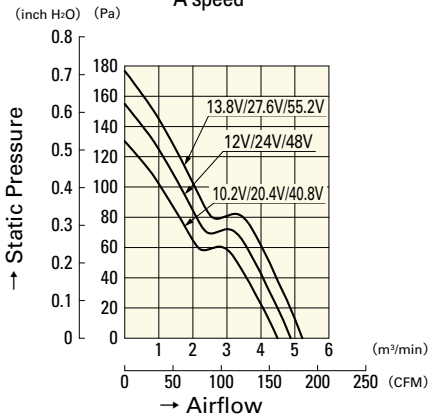
Airflow - Static Pressure Characteristics

G speed



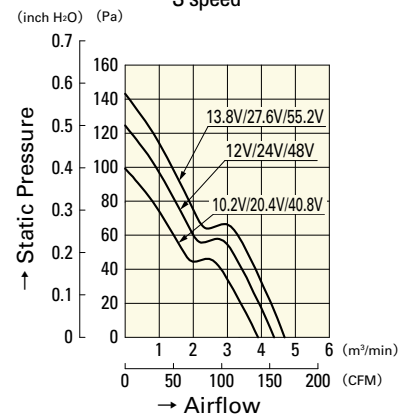
109E1324G101
109E1348G101

A speed



109E1312A101
109E1324A101
109E1348A101

S speed



109E1312S101
109E1324S101
109E1348S101