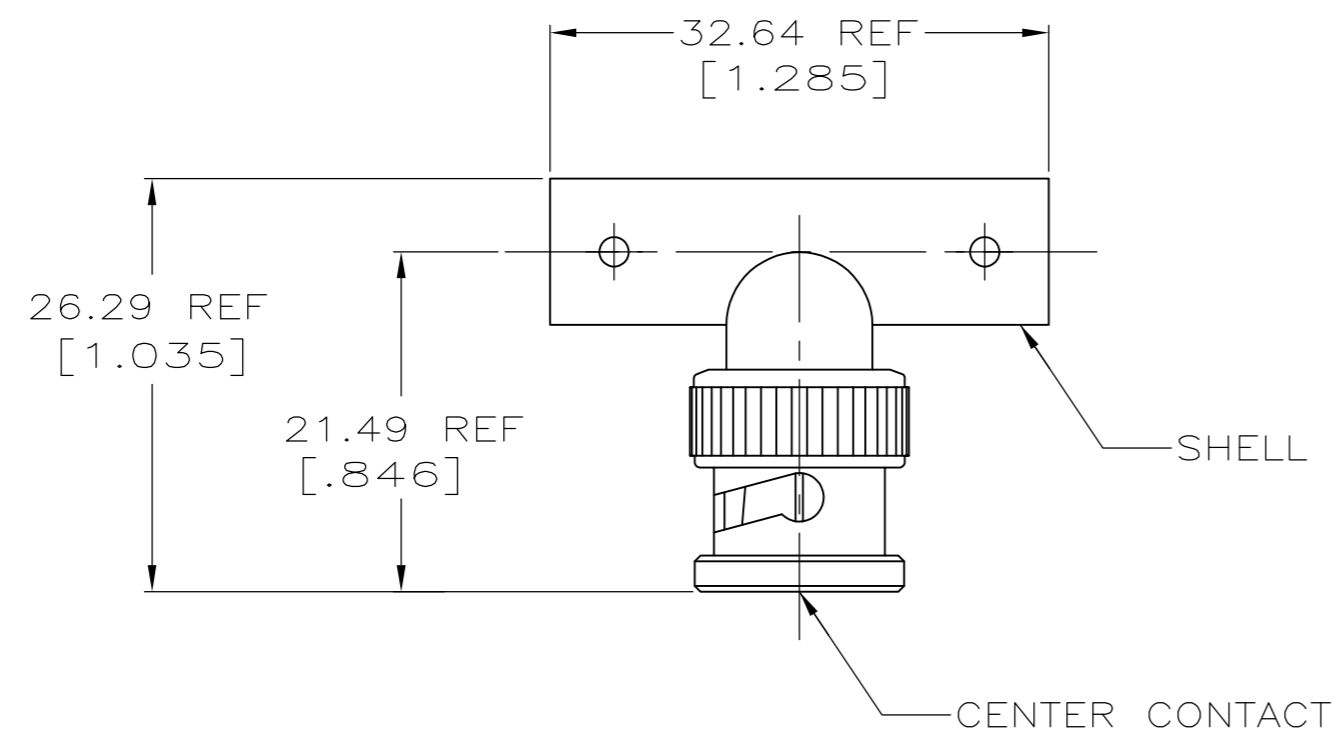


THIS DRAWING IS UNPUBLISHED. RELEASED FOR PUBLICATION
 © COPYRIGHT BY TYCO ELECTRONICS CORPORATION. ALL RIGHTS RESERVED.

LOC	DIST	REVISIONS					
		P	LTR	DESCRIPTION	DATE	DWN	APVD
AJ	16		A	REVISED PER EC OS14-0150-05	01JULY05	BM	JL
			A1	REVISED PER ECO-09-024927	18DEC09	KK	AEG



1 DIELECTRIC : DELRIN/POLYMETHYLPENTENE
 PLUG CENTER CONTACT : BRASS
 PLUG OUTER CONTACT : BRASS
 SHELL : ZINC

2 NICKEL PLATE .000120" MINIMUM THICK

3. INTERMATEABLE WITH PRODUCT PER MIL-C-39012

4 SILVER PLATE .000200" MINIMUM THICK
 OVER .000050 MINIMUM THICK NICKEL.

5 PHOSPHOR BRONZE

6 BERYLLIUM COPPER

7 BULK PACKAGED: 25 PCS PER BAG

8 BULK PACKAGED: 5 PCS PER BOX

9 INDIVIDUALLY PACKAGED

10 BULK PACKAGED: 100 PCS PER BAG.

11 INDIVIDUALLY PACKAGED FOR NETCON.

12 GOLD PLATE, .000015 MINIMUM THICK
 OVER .000050 MINIMUM THICK NICKEL.

13 GOLD PLATE, .000030 MINIMUM THICK
 OVER .000050 MINIMUM THICK NICKEL.

14 OBSOLETE PARTS: OBSOLETE CIS STREAMLINING
 PER D.RENAUD/D.SINISI

8	14	OBSOLETE	5	2	4	1-5413592-5
9	14	OBSOLETE	6	2	4	1-5413592-1
11			5	2	12	5413592-9
10			6	2	13	5413592-6
10			5	2	12	5413592-2
		MATERIAL: JACK CENTER CONTACT	SHELL PLATING		CONTACT PLATING	PART NO

THIS DRAWING IS A CONTROLLED DOCUMENT.		DWN L. VARELA - DOCK5 22APR2005	Tyco Electronics Corporation Harrisburg, Pa 17105-3608	
DIMENSIONS: mm [INCHES]		CHK J. HAVENER 22APR2005	Tyco Electronics	
TOLERANCES UNLESS OTHERWISE SPECIFIED:		APVD J. LIPPERT 22APR2005	NAME T-ADAPTER SERIES BNC	
0 PLC ± -		PRODUCT SPEC 108-12090	SIZE A2 CAGE CODE 00779 C=5413592	
1 PLC ± -		APPLICATION SPEC	DRAWING NO	
2 PLC ± -		WEIGHT -	RESTRICTED TO	
3 PLC ± -		SCALE 2:1 SHEET 1 OF 1 REV A1		
4 PLC ± -		CUSTOMER DRAWING		
ANGLES ± -				
FINISH				