

DETAILS

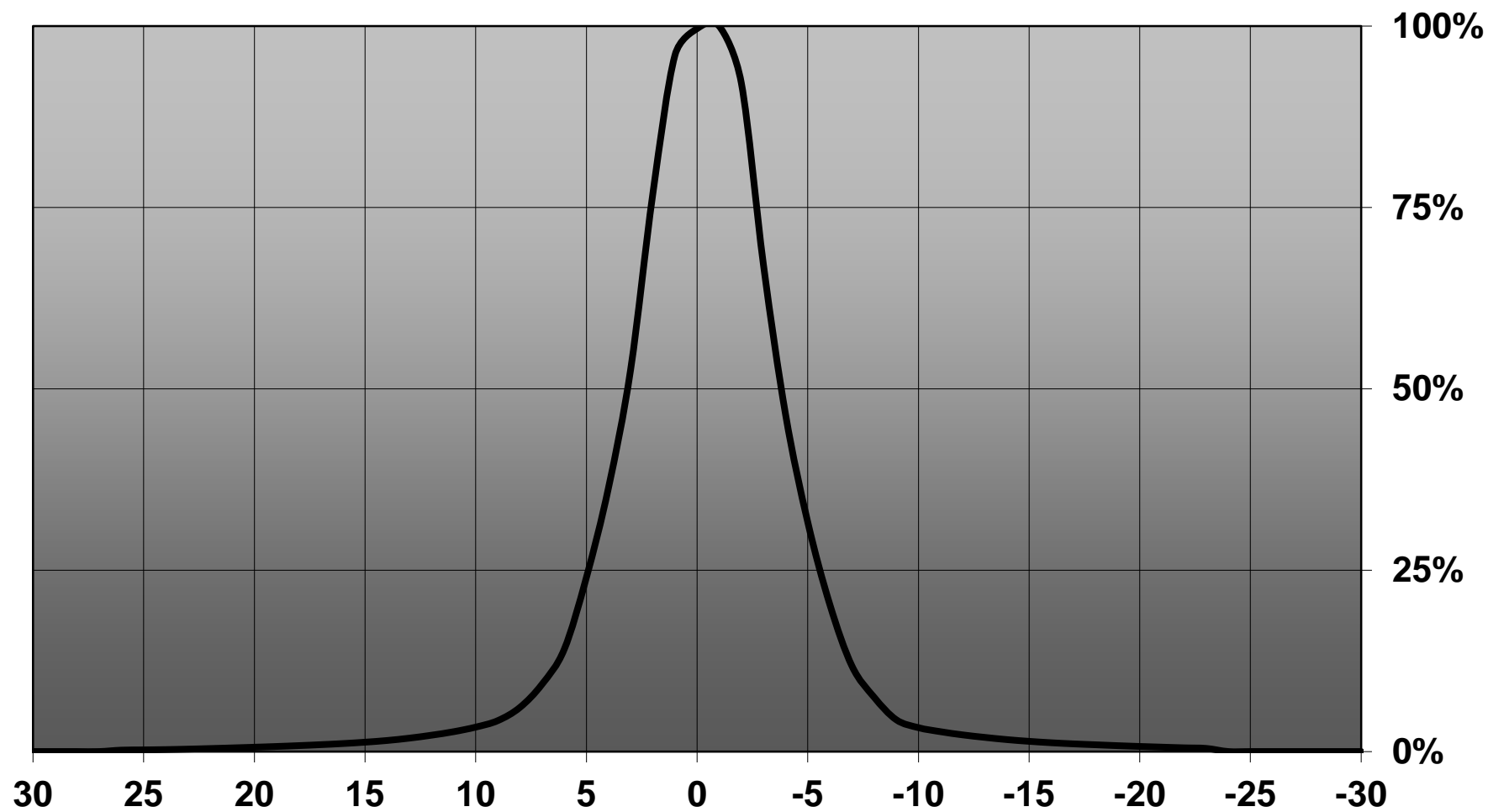
Product Number	CA14506_G2-LXP2-RS2
Family	Leila
Type	Assembly
Color	black
Diameter	21,8 mm
Height	14,7 mm
Style	round
Optic Material	PMMA
Holder Material	
Fastening	tape
Status	production ready
ROHS Compliant	Yes
Date Updated	22/01/2016



OPTICAL PROPERTIES

LED	Viewing	Light	Effi-		Connector
	Angle	Beam	ciency	cd/lm	
XP-E	7.0 deg	RS2-class	88 %	34.650	-
XP-L	14 deg	RS2-class	88 %	9.500	-
XP-E2	sim: 10	RS2-class	sim: 94 %	sim: 24.600-	
XP-L HI	8 deg	RS2-class	89 %	20.100	-
XP-G2	sim: 10	RS2-class	sim: 93 %	sim: 22.400-	
XT-E	sim: 9,5	RS2-class	sim: 92 %	sim: 19.900-	
H35C1 (LEMWA33)	sim: 10	RS2-class	sim: 92 %	sim: 19.400-	
NVSxx19B/NVSxx19C	sim: 11	RS2-class	sim: 88 %	sim: 15.000-	
LH351B	sim: 10	RS2-class	sim: 91 %	sim: 17.200-	
LH351A(3535)	sim: 9	RS2-class	sim: 91 %	sim: 21.600-	
Z5P	sim: 8	RS2-class	sim: 92 %	sim: 26.500-	
Z5M1/Z5M2	sim: 10	RS2-class	sim: 93 %	sim: 20.500-	

Relative intensity of CA14506_G2-LXP2-RS2_(XP-E)



D

C

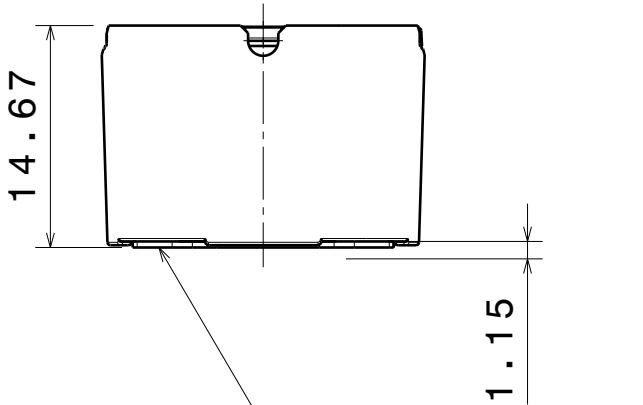
B

A

Applies to:
CA14504
CA14506
CA14508
CA14510
CA14512

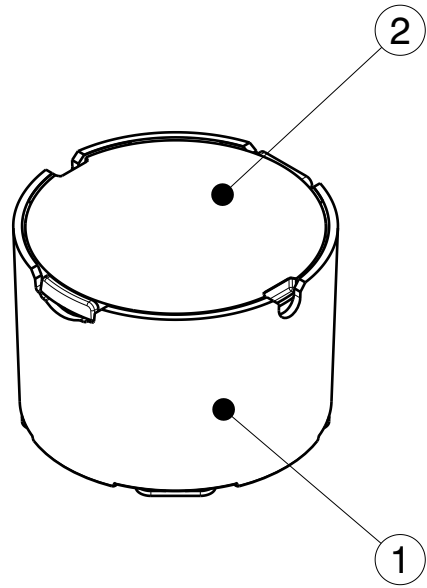
4

4



Front view

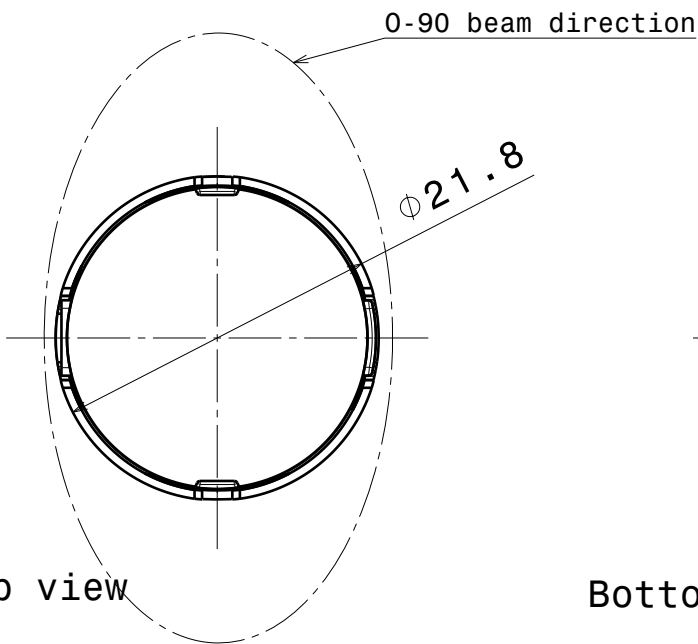
PU foam tape 0.4mm



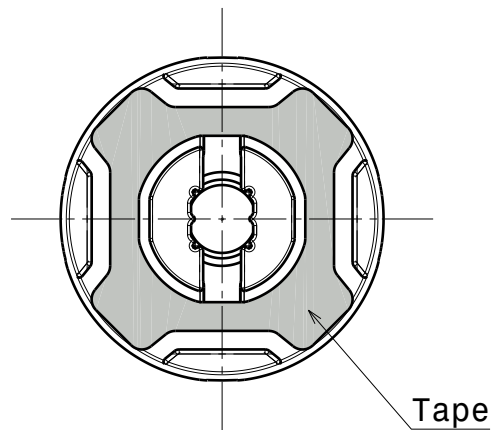
Isometric view

3

3



Top view



Bottom view

2

2

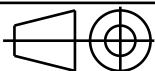
INDEX	PART NO	DESCRIPTION	MATERIAL	COLOUR
1	C14444	LXP2-LT-HLD	PC	black
2	-	LXP2-series_mech lens	PMMA	clear

Tolerances if not otherwise shown
 According to DIN ISO 2768-1
 Linear measures:
 up to 30mm class M, otherwise class C
 According to DIN ISO 2768-2
 Form and position: class L



Ledil Oy
 Salorankatu 10
 FIN 24240 SALO
 Finland

THIRD ANGLE PROJECTION:



DRAWING TITLE

LEILA-G2-LXP2

This drawing is the property
 of LEDiL Oy. It may not be
 reproduced, copied or
 communicated without a written
 agreement with LEDiL Oy.

SIZE	PART NUMBER
A4	-

SCALE	2:1	WEIGHT	4,0 g	SHEET	1/1
-------	-----	--------	-------	-------	-----

1

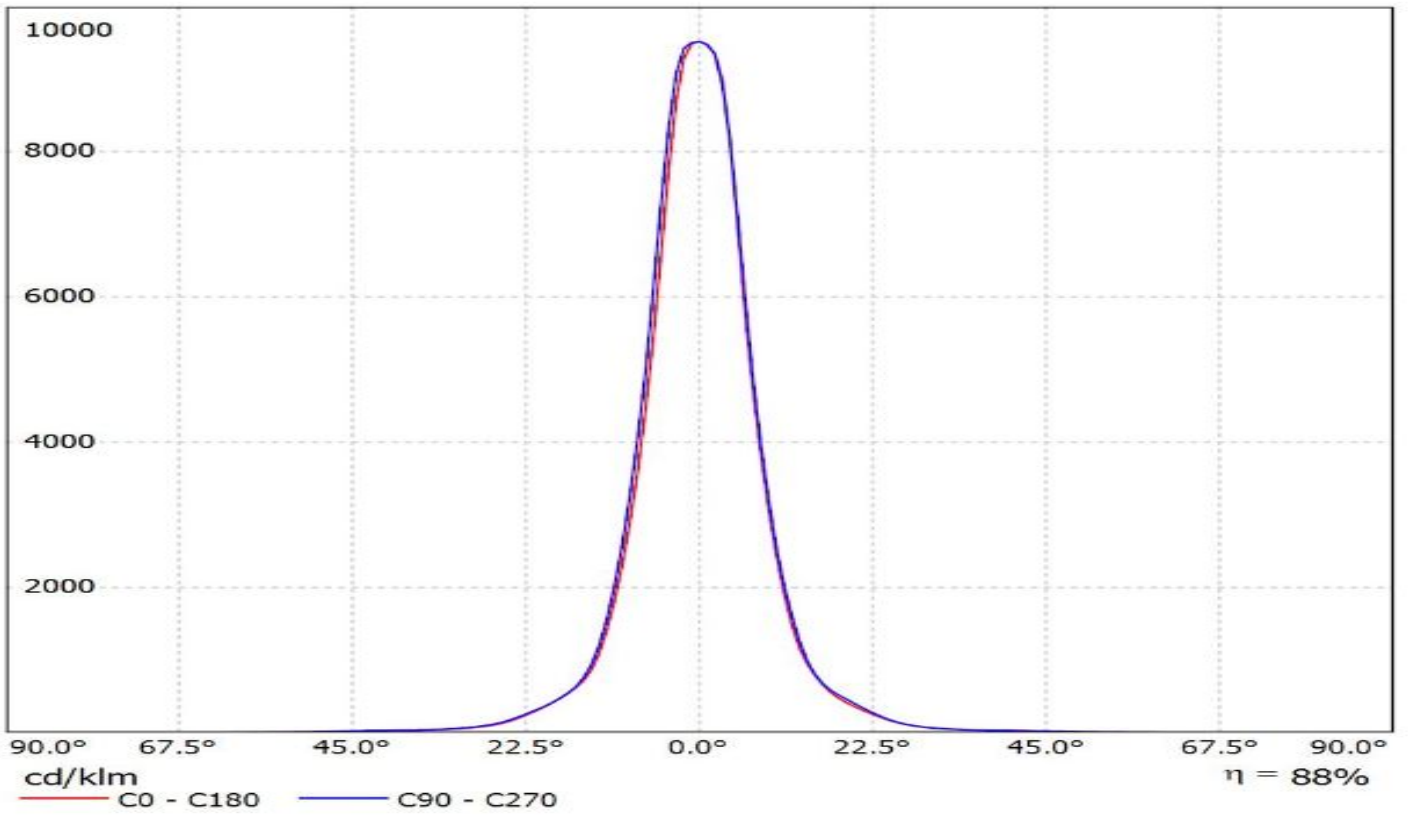
1

D

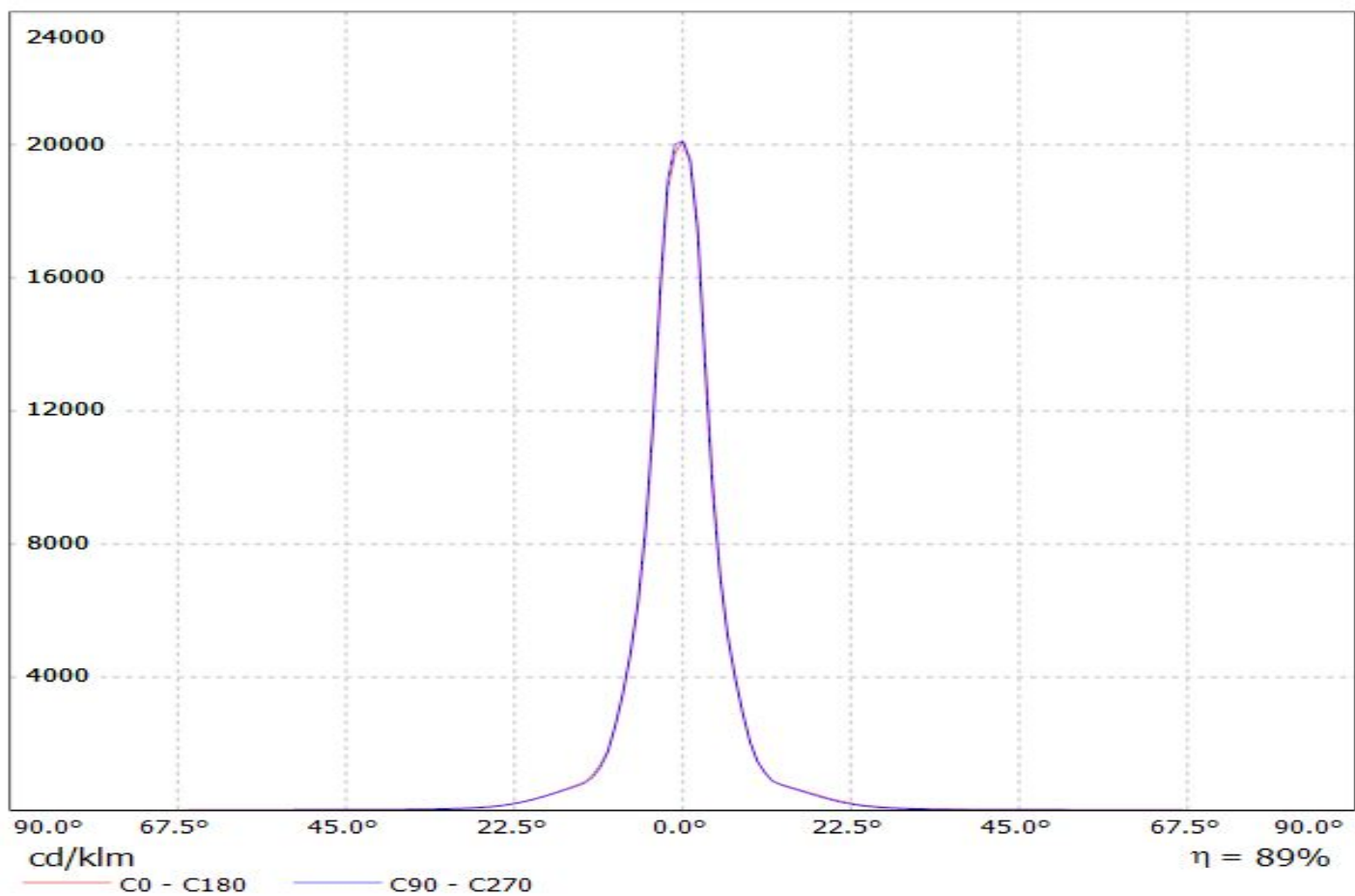
A

Ledil CA14506_G2-LXP2-RS2_(XP-L) / LDC (Linear)

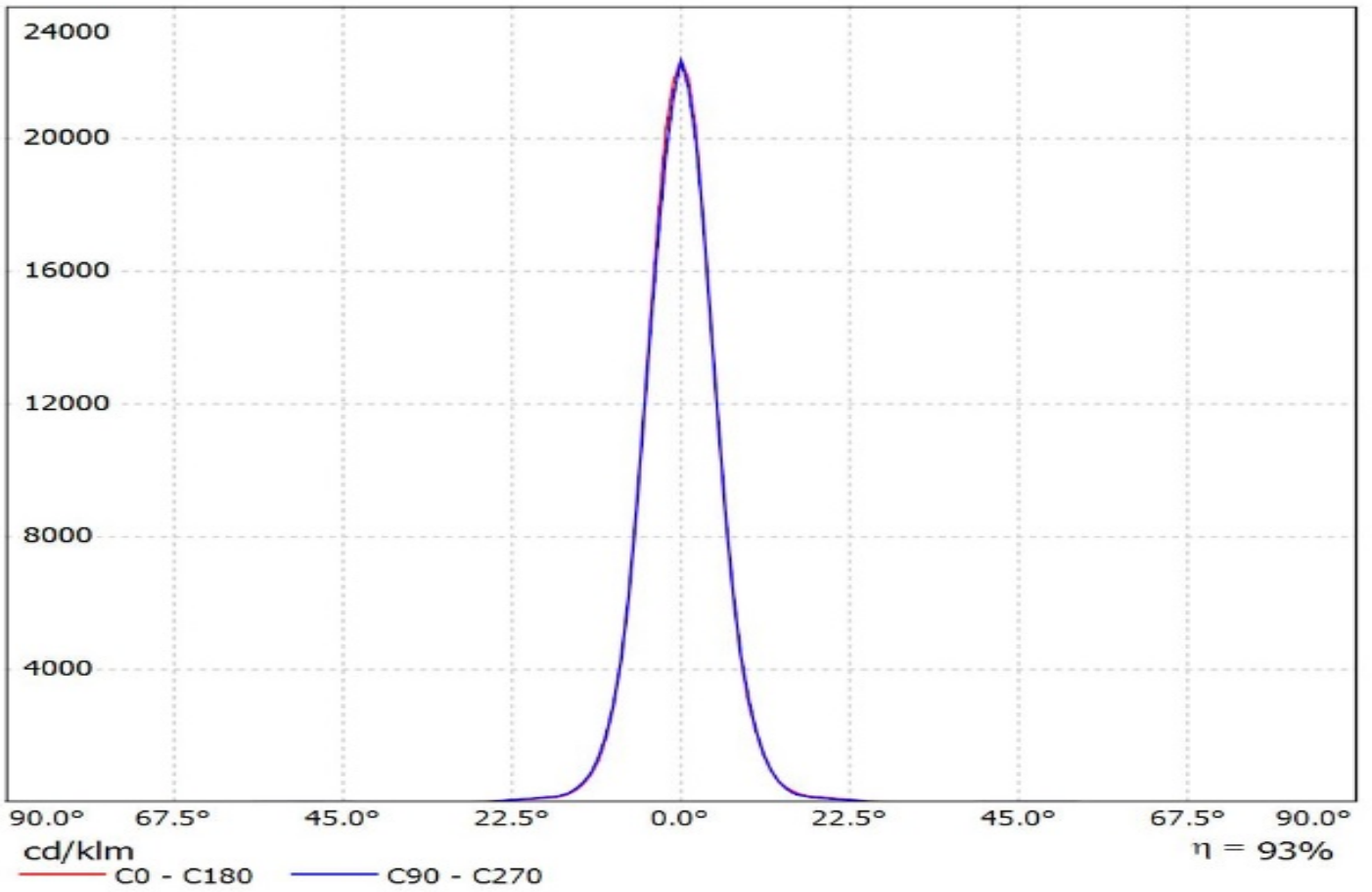
Luminaire: Ledil CA14506_G2-LXP2-RS2_(XP-L)
Lamps: 1 x CREE_XP-L_(XPLAWT-0-7A3-U50-0H-0001)
_107.852lm@250mA_CCT=3185K_P=0.7W_I=0.25A



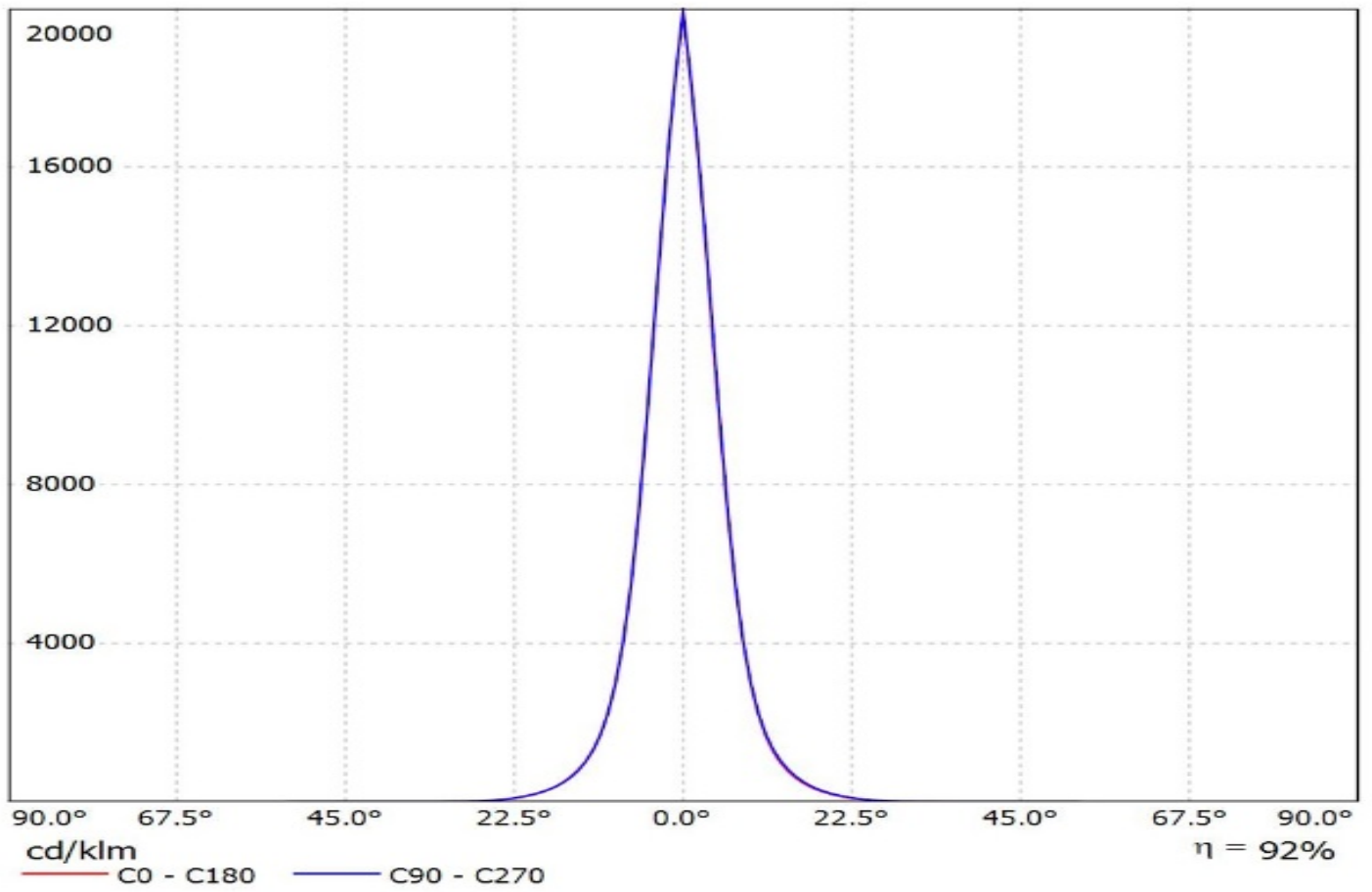
Luminaire: Ledil CA14506_G2-LXP2-RS2_(XP-L_HI)
Lamps: 1 x CREE_XP-L_HI_116.971lm@250mA_P=0.75W_I=0.25A



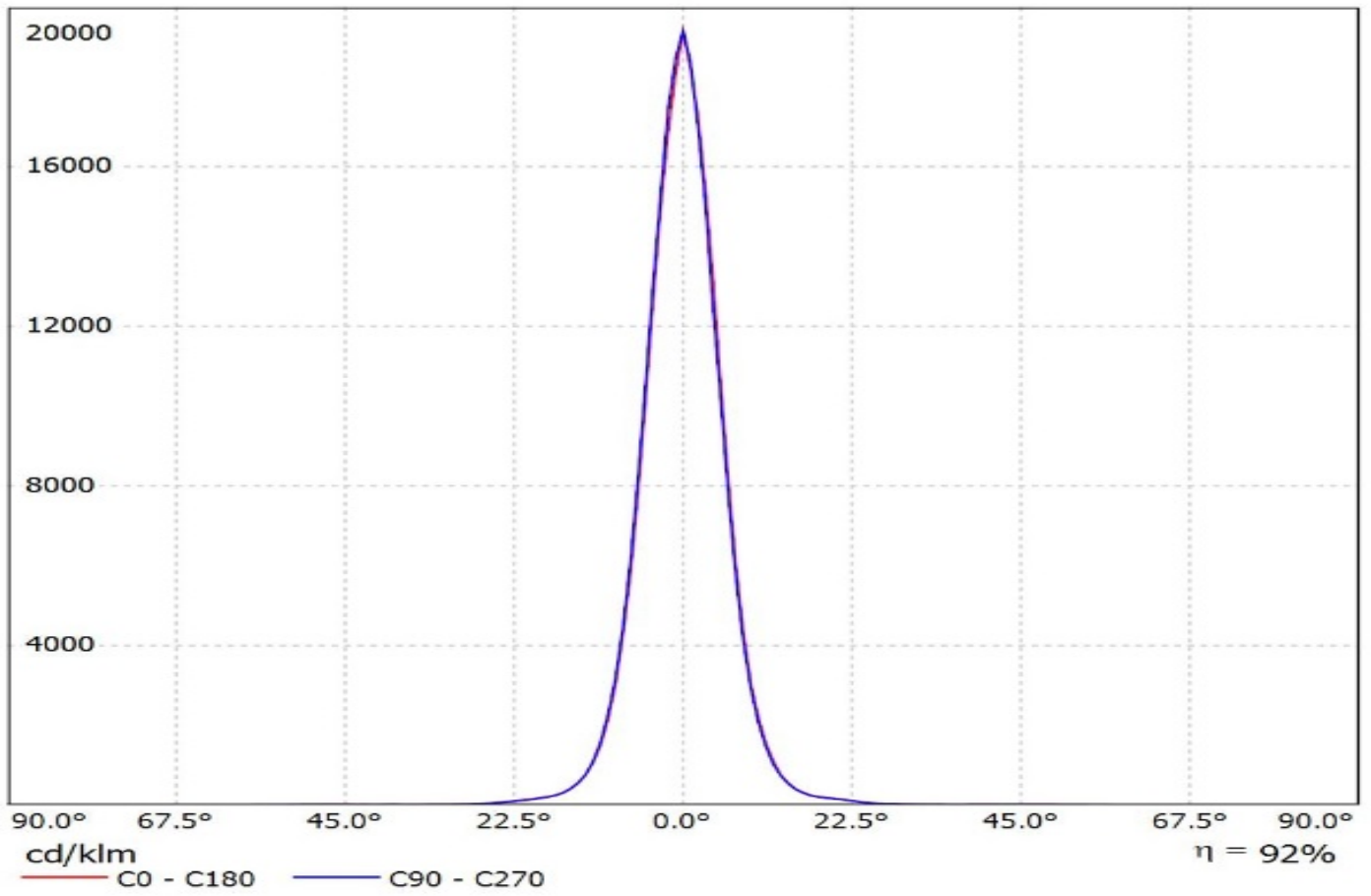
Luminaire: Ledil Oy CA14506_G2-LXP2-RS2_(XP-G2)_SIMULATED
Lamps: 1 x Cree XP-G2



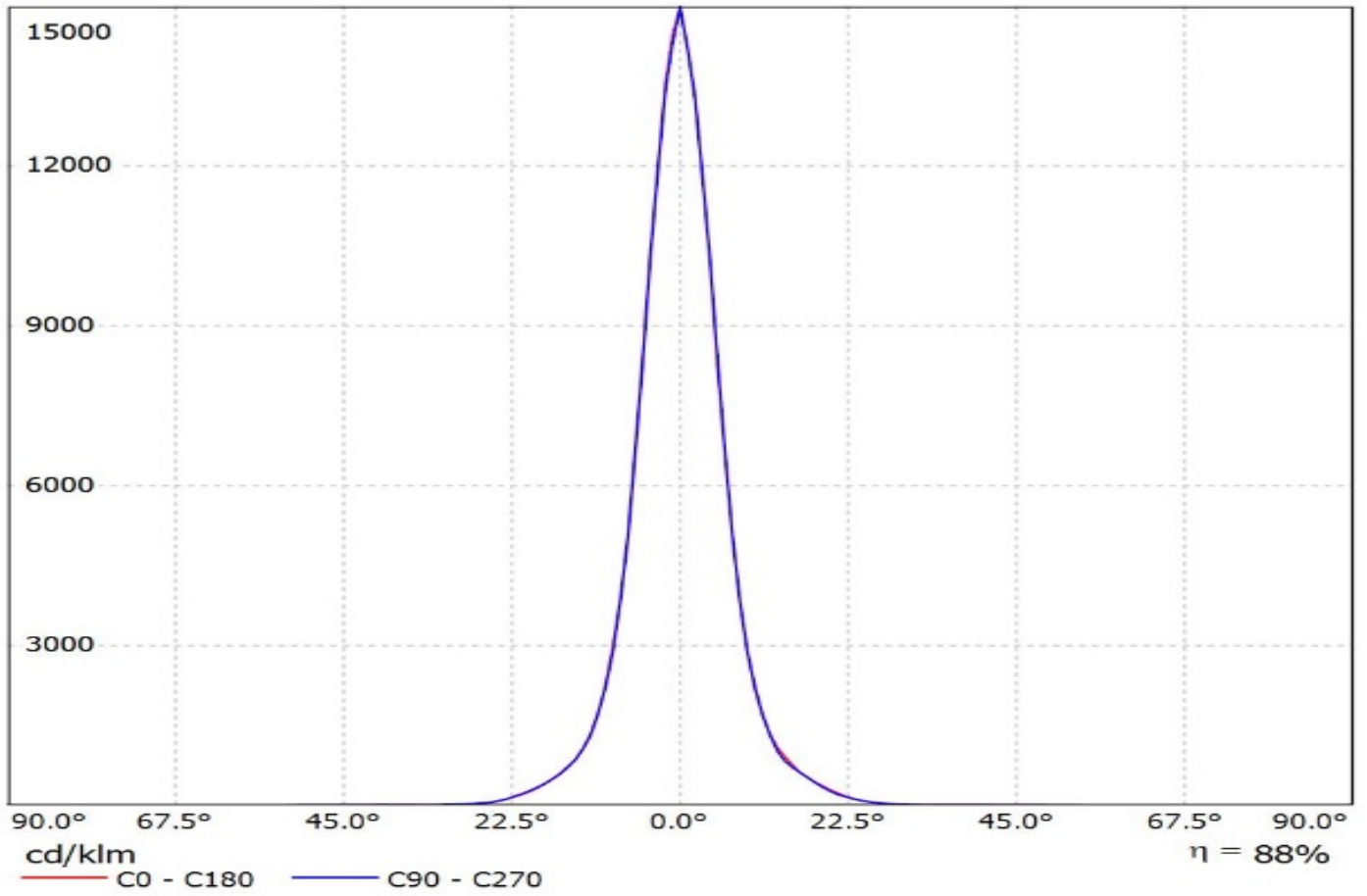
Luminaire: Ledil Oy CA14506_G2-LXP2-RS2_XTE_SIMULATED
Lamps: 1 x



Luminaire: Ledil Oy CA14506_G2-LXP2-RS2_(LG_H35C1)_SIMULATED
Lamps: 1 x LG H35C1

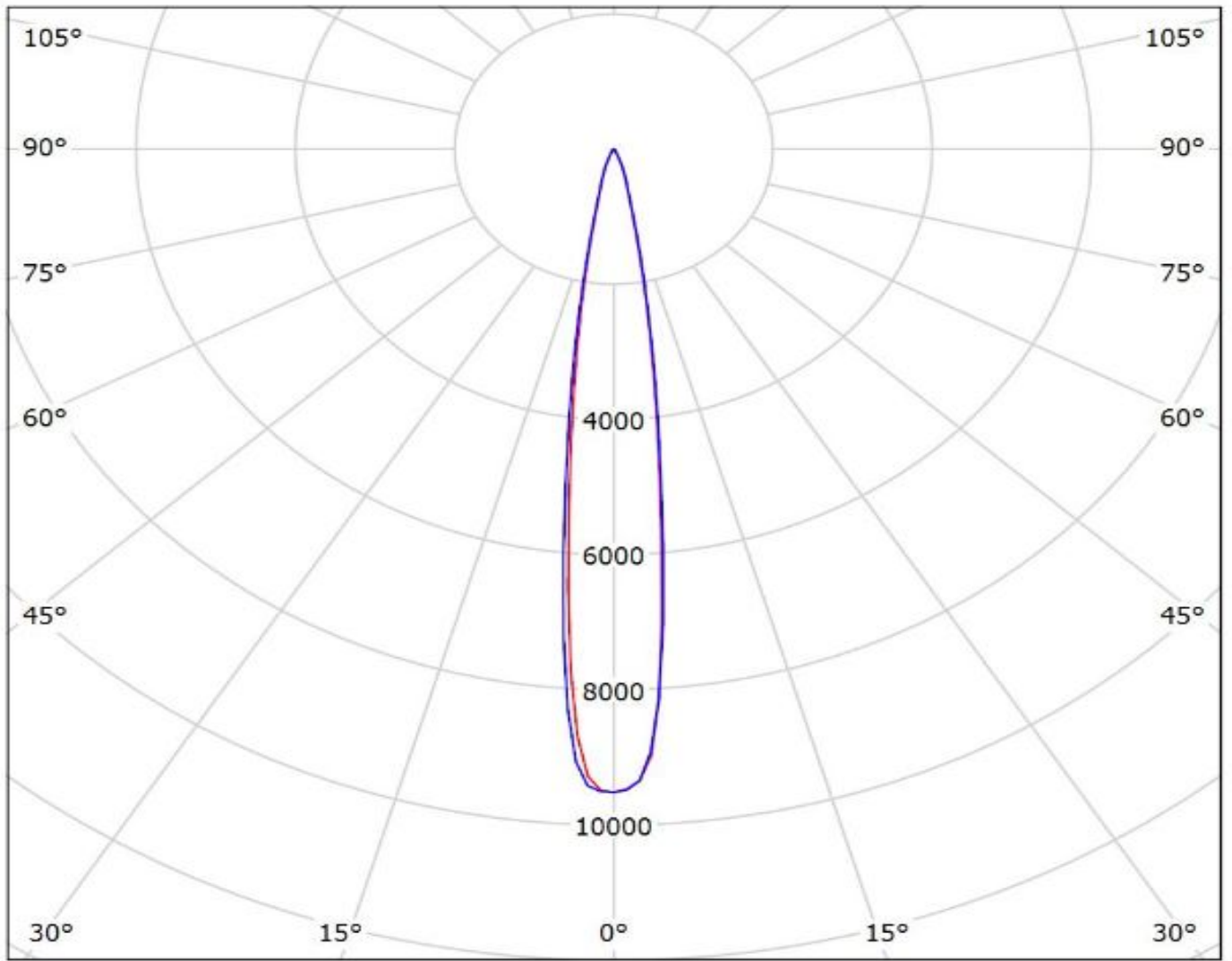


Luminaire: Ledil Oy CA14506_G2-LXP2-RS2_(NVSxx19B)_SIMULATED
Lamps: 1 x Nichia NVSxx19V (NVSW219B)



Ledil CA14506_G2-LXP2-RS2_(XP-L) / LDC (Polar)

Luminaire: Ledil CA14506_G2-LXP2-RS2_(XP-L)
Lamps: 1 x CREE_XP-L_(XPLAWT-0-7A3-U50-0H-0001)
_107.852lm@250mA_CCT=3185K_P=0.7W_I=0.25A



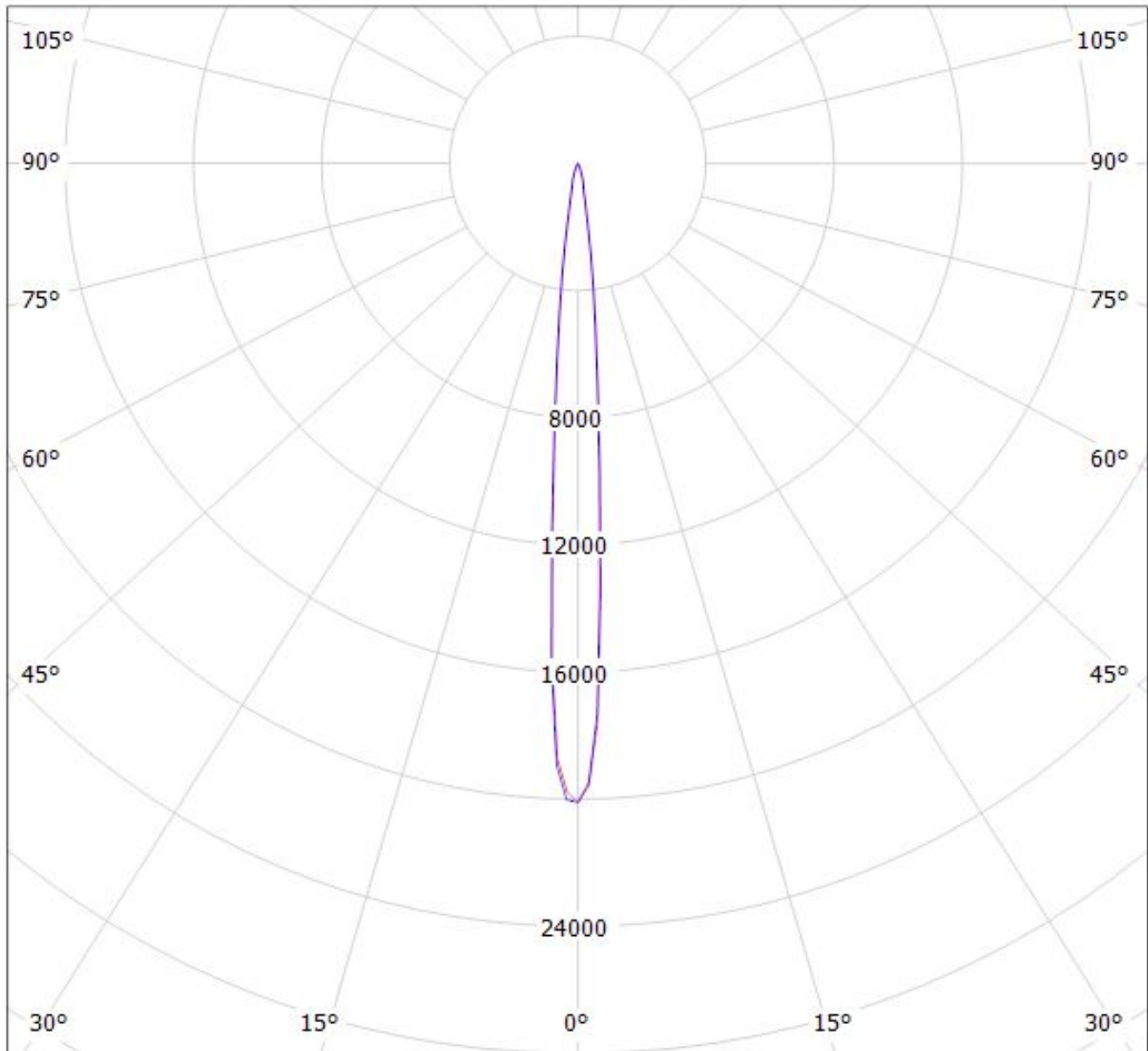
cd/klm

— C0 - C180 — C90 - C270

$\eta = 88\%$

Luminaire: Ledil CA14506_G2-LXP2-RS2_(XP-L_HI)

Lamps: 1 x CREE_XP-L_HI_116.971lm@250mA_P=0.75W_I=0.25A



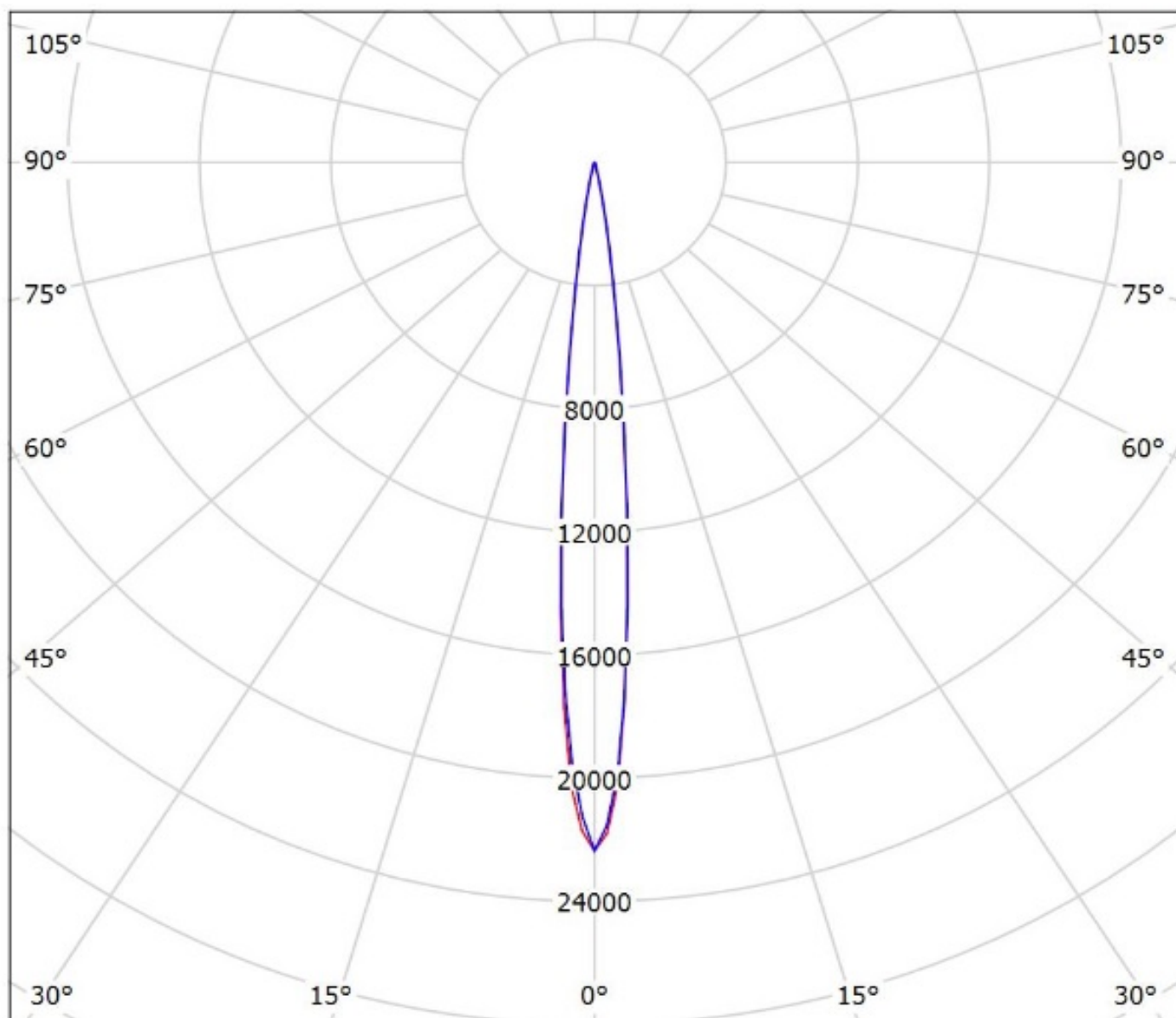
cd/klm

— C0 - C180

— C90 - C270

$\eta = 89\%$

Luminaire: Ledil Oy CA14506_G2-LXP2-RS2_(XP-G2)_SIMULATED
Lamps: 1 x Cree XP-G2



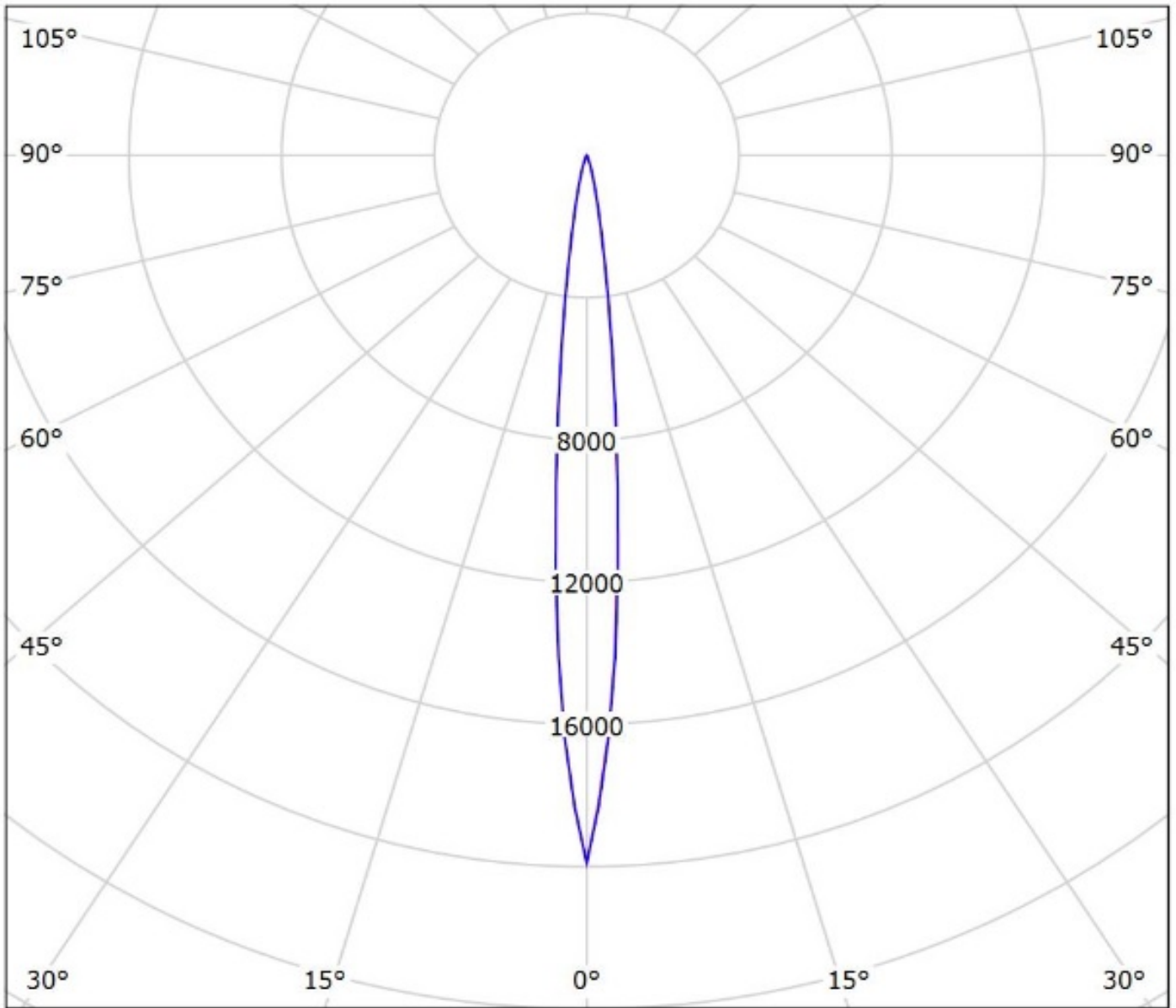
cd/klm

— C0 - C180 — C90 - C270

$\eta = 93\%$

Luminaire: Ledil Oy CA14506_G2-LXP2-RS2_XTE_SIMULATED

Lamps: 1 x



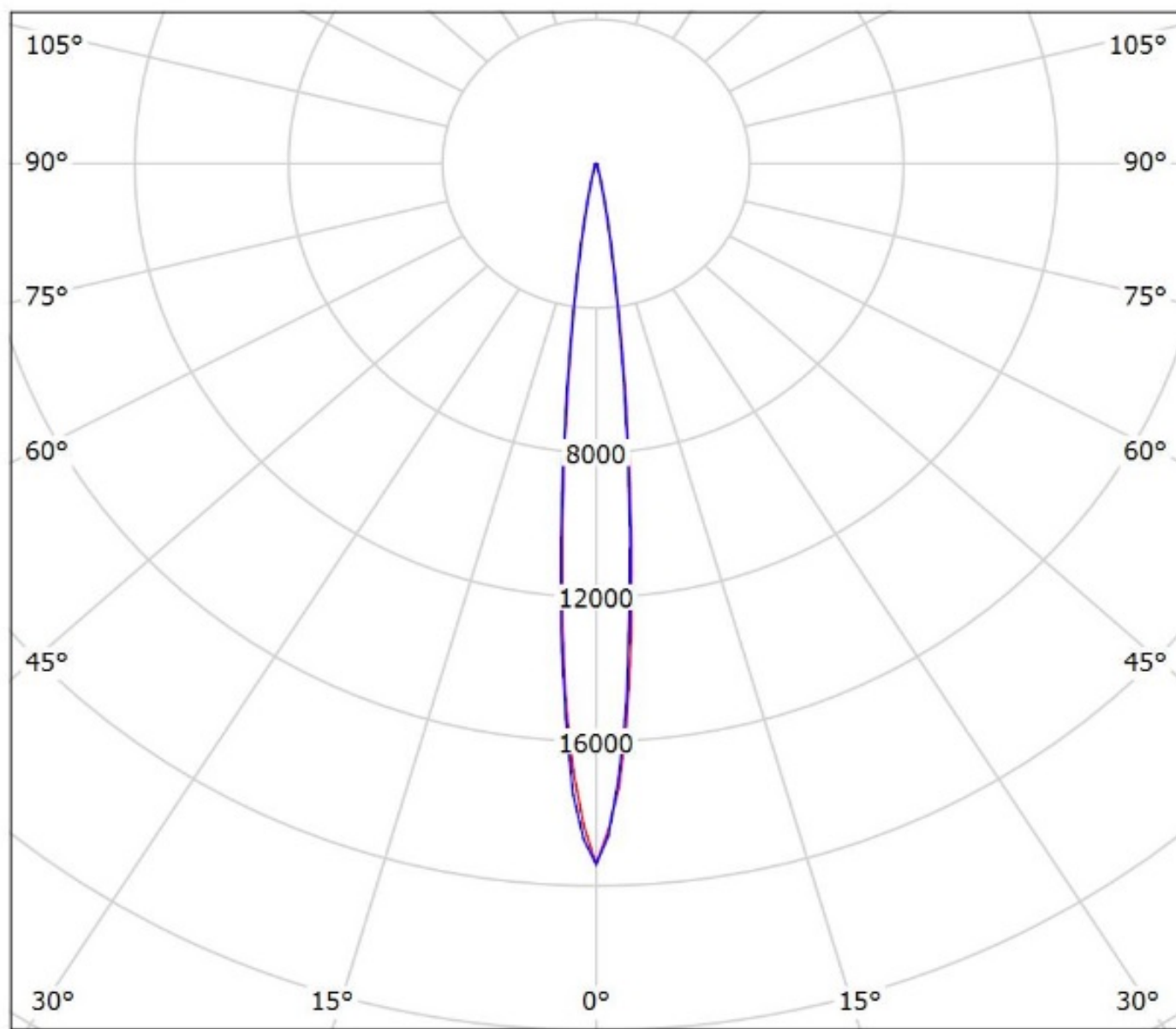
cd/klm

— C0 - C180

— C90 - C270

$\eta = 92\%$

Luminaire: Ledil Oy CA14506_G2-LXP2-RS2_(LG_H35C1)_SIMULATED
Lamps: 1 x LG H35C1

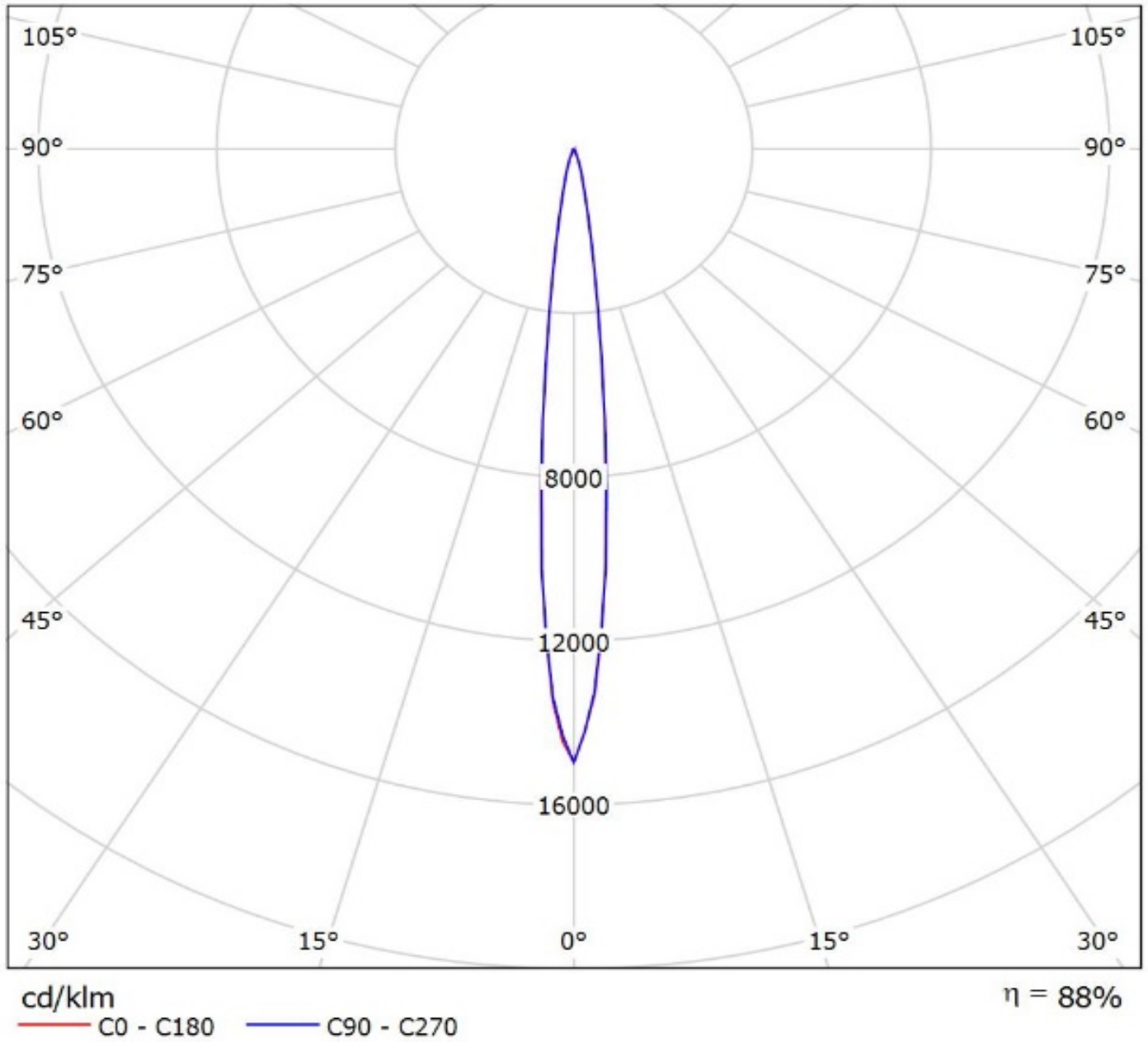


cd/klm

— C0 - C180 — C90 - C270

$\eta = 92\%$

Luminaire: Ledil Oy CA14506_G2-LXP2-RS2_(NVSxx19B)_SIMULATED
Lamps: 1 x Nichia NVSxx19V (NVS219B)



NOTE: The typical divergence will be changed by different color, chip size and chip position tolerance. The typical total divergence is the full angle measured where the luminous intensity is half of the peak value.