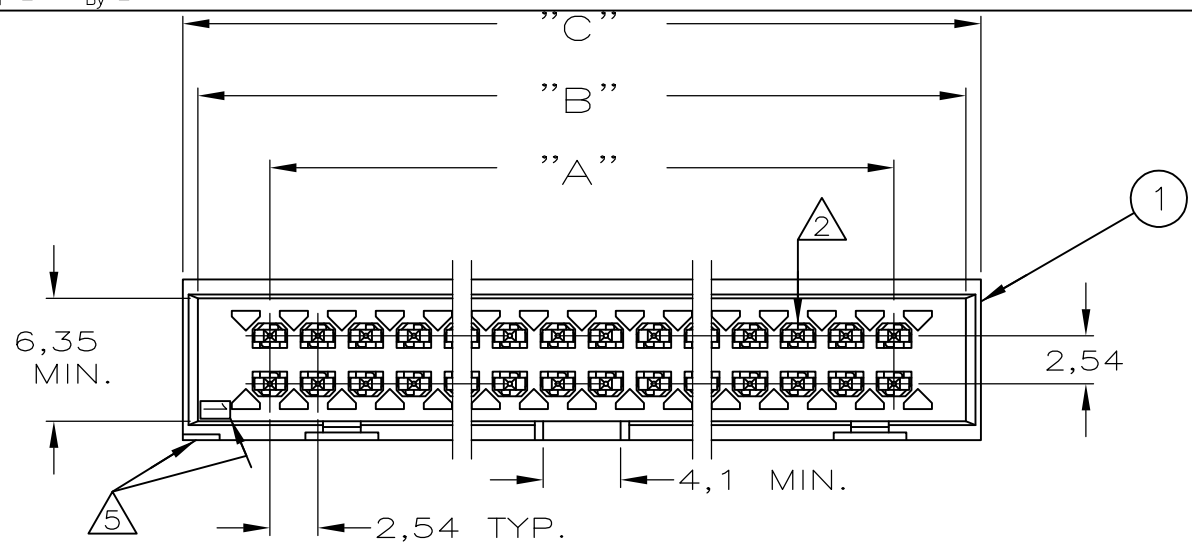


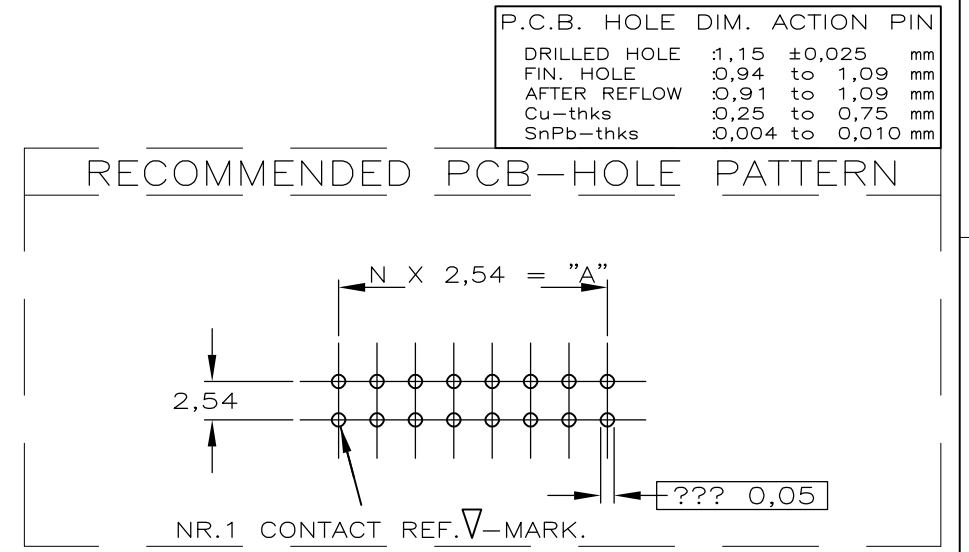
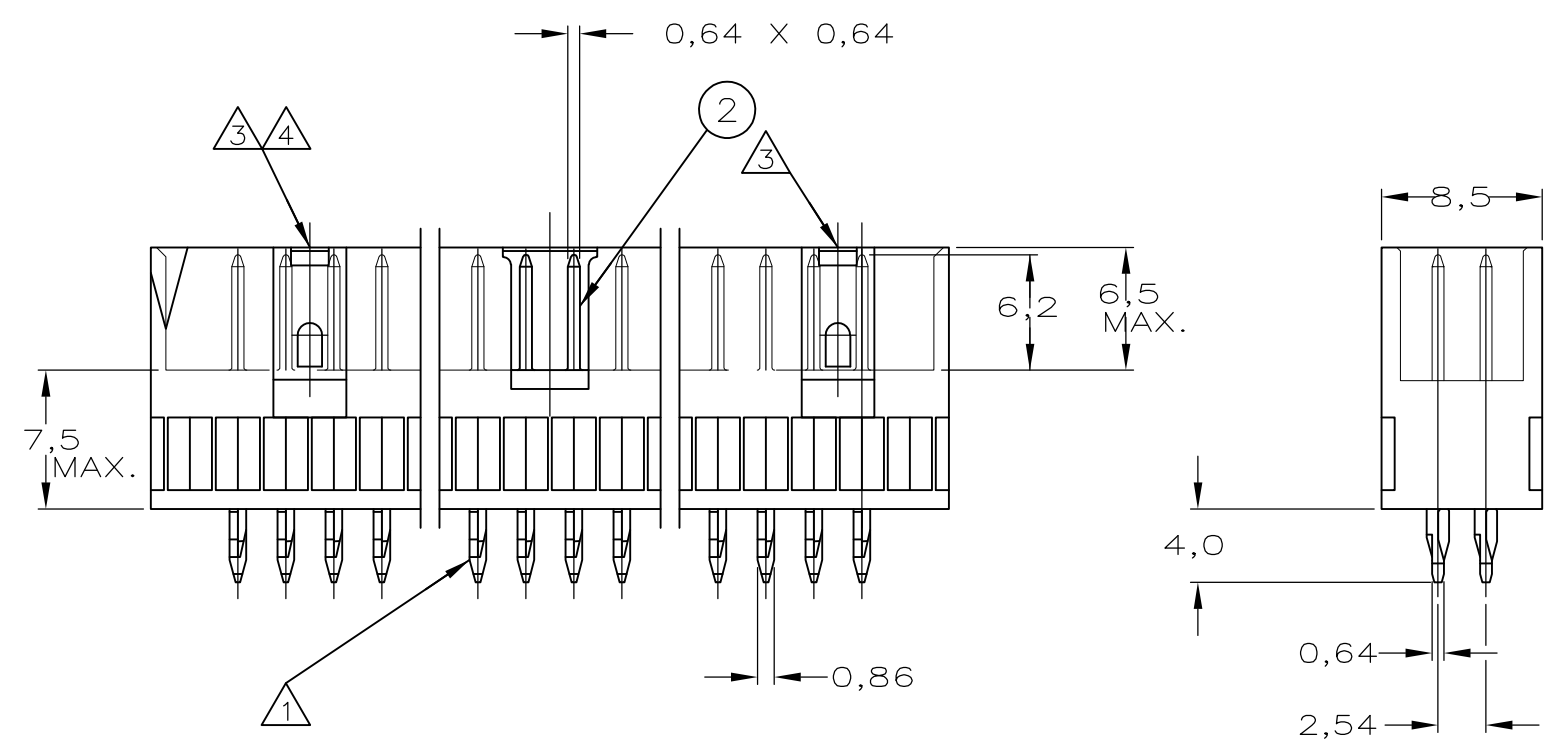
THIS DRAWING IS UNPUBLISHED. RELEASED FOR PUBLICATION  
 © COPYRIGHT - By - ALL RIGHTS RESERVED.

LOC	DIST	REVISIONS					
GP	00	P	LTR	DESCRIPTION	DATE	DWN	APVD
		D		REVISED PER ECO-13-000466	21FEB2013	CJV	SLB



NOTES:

- ① ACTION-PINS FOR APPLICATION IN 1,6 / 2,4 mm THICK PC-BOARDS. FOR REQUIREMENTS UPON PCB HOLE-DIMENSIONS SEE RECOMMENDED MOUNTING-HOLE PATTERN.
- ② THESE HEADERS ARE DESIGNED TO MATE WITH EUROPEAN-STYLE AMP-LATCH RECEPTACLE CONNECTORS.
- ③ SNAP-IN POLARIZERS PN. 927636-1 OR 927637-1 CAN BE APPLIED.
- ④ THERE IS NO WINDOW FOR SNAP-IN POLARIZERS AT THIS END IN 10 AND 14 POS. HEADERS.
- ⑤ INDICATION OF FIRST POSITION.



② PIN-CONTACT	PHOSPHORBRONZE	MATING-END:0,8μ GOLD OVER 1,27μ NICKEL BOARD SIDE:1,27μ TIN OVER 1,27μ NICKEL
① HOUSING	THERMOPLASTIC POLYESTER	BLACK
COMPONENT NAME	MATERIAL	PLATING / COLOUR

OBSOLETE	-----	87,9	86,4	78,74	31	64	6-215244-4
OBSOLETE	-----	82,9	81,3	73,66	29	60	6-215244-0
OBSOLETE	-----	70,2	68,6	60,96	24	50	5-215244-0
OBSOLETE	-----	62,5	61,0	53,34	21	44	4-215244-4
OBSOLETE	-----	57,5	55,9	48,26	19	40	4-215244-0
OBSOLETE	-----	49,8	48,3	40,64	16	34	3-215244-4
OBSOLETE	-----	39,7	38,1	30,48	12	26	2-215244-6
	-----	32,1	30,5	22,86	9	20	2-215244-0
OBSOLETE	-----	27,0	25,4	17,78	7	16	1-215244-6
OBSOLETE	-----	24,4	22,9	15,24	6	14	1-215244-4
OBSOLETE	-----	19,4	17,8	10,16	4	10	1-215244-0

THIS DRAWING IS A CONTROLLED DOCUMENT. DIMENSIONING AND TOLERANCING PER ASME Y14.5M-2009

DIMENSIONS:	TOLERANCES UNLESS OTHERWISE SPECIFIED:
mm	0 PLC ± -
	1 PLC ± -
	2 PLC ± -
	3 PLC ± -
	4 PLC ± -
	ANGLES ± -
MATERIAL	FINISH
-	-

W.R.VERBEET. 8-12'86  
 R.VERSTIJNEN.  
 AMP-LATCH UNIVERSAL SHORT-END ACTION PIN HEADERS.

STE TE Connectivity

SIZE: A3 CAGE CODE: 00779 DRAWING NO: C-215244

CUSTOMER DRAWING OF SCALE: - SHEET: 1 OF 1 REV: D

DIM."D"	DIM."C"	DIM."B"	DIM."A"	"N"	NR. OF POS.	PARTNUMBER
VARIABLE CONNECTOR DIMENSIONS						