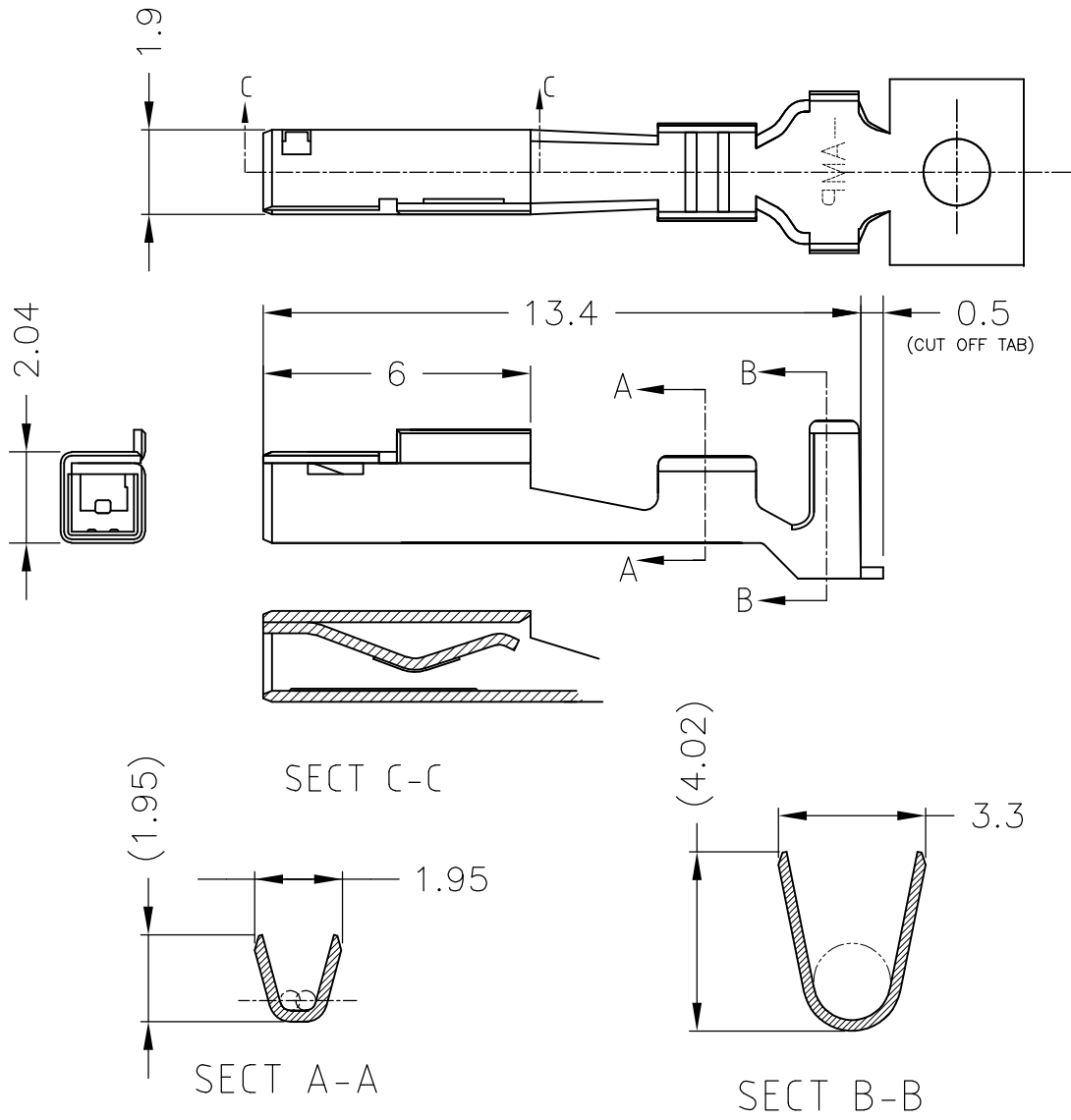


REVISIONS				
P	LTR	DESCRIPTION	DATE	APVD
	A	REVISED PER ECR-17-004020	31MAR2017	DZ



- 注)
 1 一般公差：±0.25
 2 材料：錫めっき済 銅合金


- NOTES:
 1 GENERAL TOLERANCE: ±0.25
 2 MATERIAL: PRE-TIN COPPER ALLOY

1612334-1
 PART NUMBER

WIRE RANGE 0.13-0.34mm² (AWG#22-26) INSULATION DIA Ø1.3-2.0mm

DIMENSIONS: mm	
TOLERANCES UNLESS OTHERWISE SPECIFIED:	
0 PLC	± -
1 PLC	± -
2 PLC	± -
3 PLC	± -
4 PLC	± -
ANGLES	± -

DWN	A.OISHI	30 MAY.'02
CHK	M.SHINDO	30 MAY.'02
APVD	M.SHINDO	30 MAY.'02
PRODUCT SPEC	108-5810	
APPLICATION SPEC	114-5306	
WEIGHT	-	

MATERIAL		SEE NOTE		FINISH		SEE NOTE	
 TE Connectivity							
NAME							
GRACE INERTIA CONNECTOR 3.5 REC CONTACT(M)							
SIZE	CAGE CODE	DRAWING NO		RESTRICTED TO			
A4	00779	C-1612334		-			
CUSTOMER DRAWING				SCALE	6:1	SHEET	1 OF 1
				REV A			

THIS DRAWING IS UNPUBLISHED. © COPYRIGHT - By - ALL RIGHTS RESERVED.