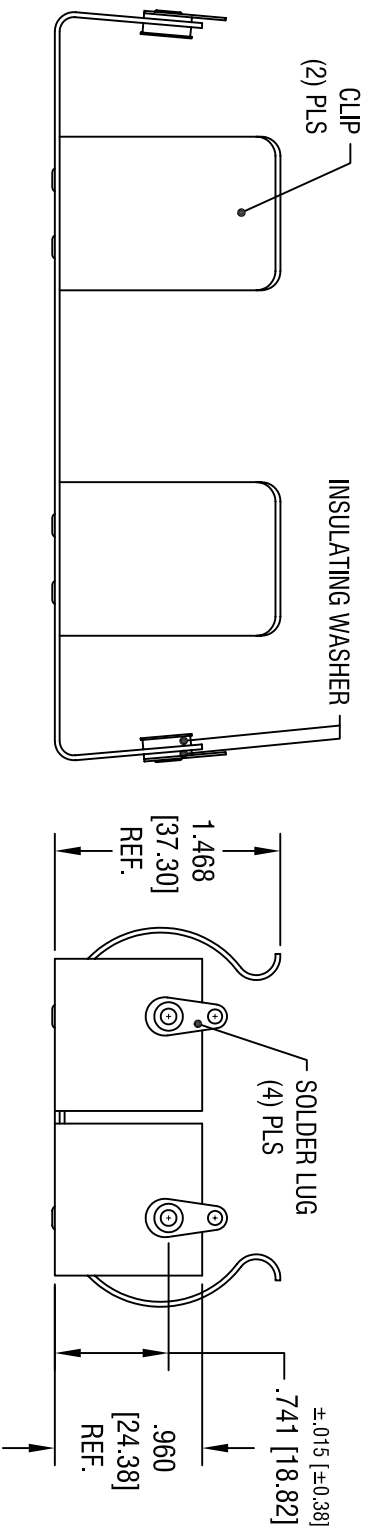
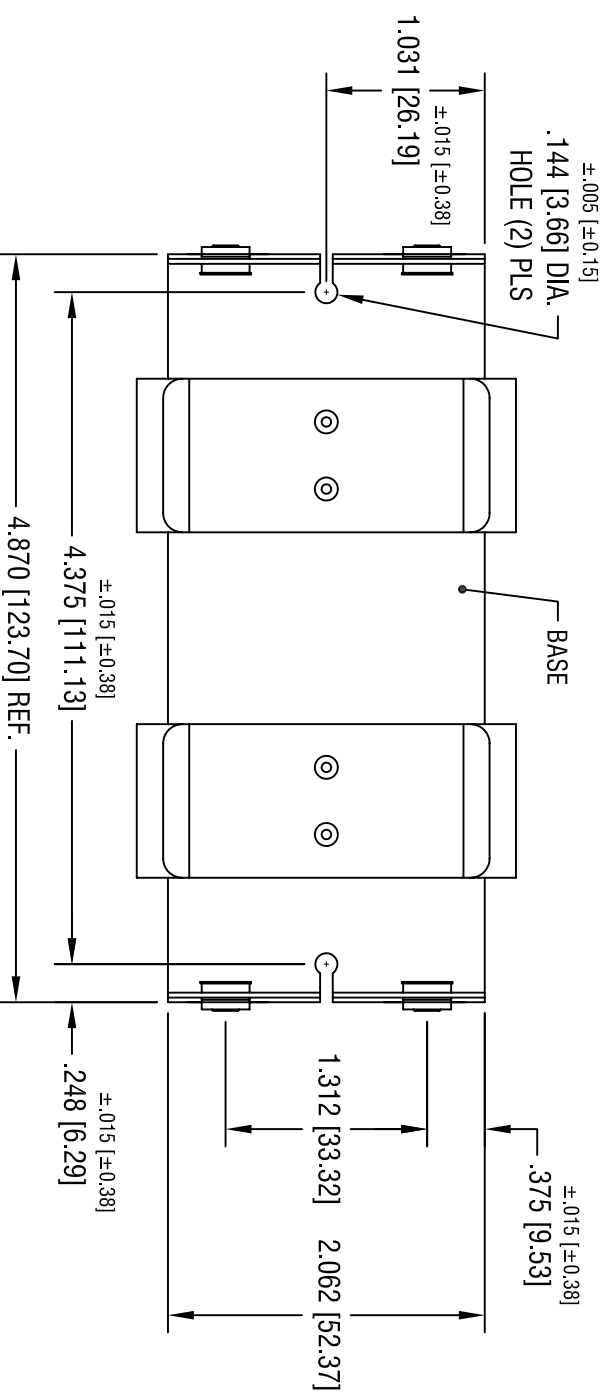


DATE	DESCRIPTION	REV.
10.2.83	REVISED	A



- NOTES:
1. BASE: MAT'L - .032 [.81] THK ALUMINUM
 - CLIP: MAT'L - .032 [.81] THK ALUMINUM
 - SOLDER LUG: MAT'L - BRASS
 - FINISH - TIN PLATE

KEYSTONE ELECTRONICS CORP.			
ASTORIA, N.Y. 11105-2017			
PART NAME BATTERY HOLDER, (4) D CELLS			
MATERIAL AS NOTED			
FINISH AS NOTED			
TOLERANCES	INCH	[MM]	CODE
DECIMAL	$\pm .010$	[± 0.25]	C
ANGULAR	$\pm 1^\circ$		
DRN BY BOONE		DATE 12.31.81	DWG NO. 200
App'D LN		SCALE .8X	

THIS DOCUMENT IS THE PROPERTY OF KEYSTONE ELECTRONICS CORP. AND SHALL NOT BE REPRODUCED, DISTRIBUTED OR USED AS A BASIS FOR MANUFACTURE WITHOUT PRIOR WRITTEN PERMISSION FROM KEYSTONE ELECTRONICS CORP.