

NOTES:

1. MATERIAL AND FINISHES:

- HOUSING - BRASS, NICKEL PLATING
- BODY - BeCu, GOLD PLATING
- CONTACT PIN - BRASS, GOLD PLATING
- INSULATOR - PTFE & DELRIN, NATURAL
- COVER - BRASS, NICKEL PLATING

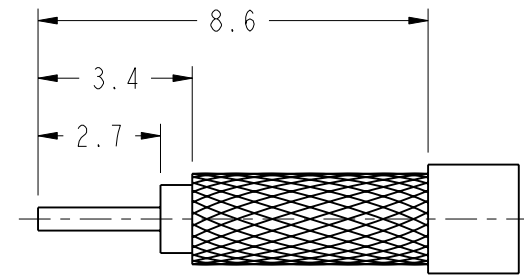
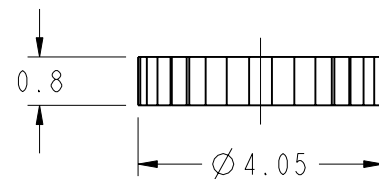
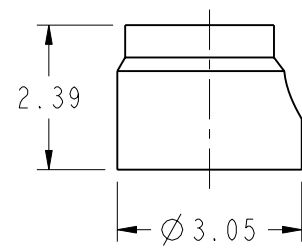
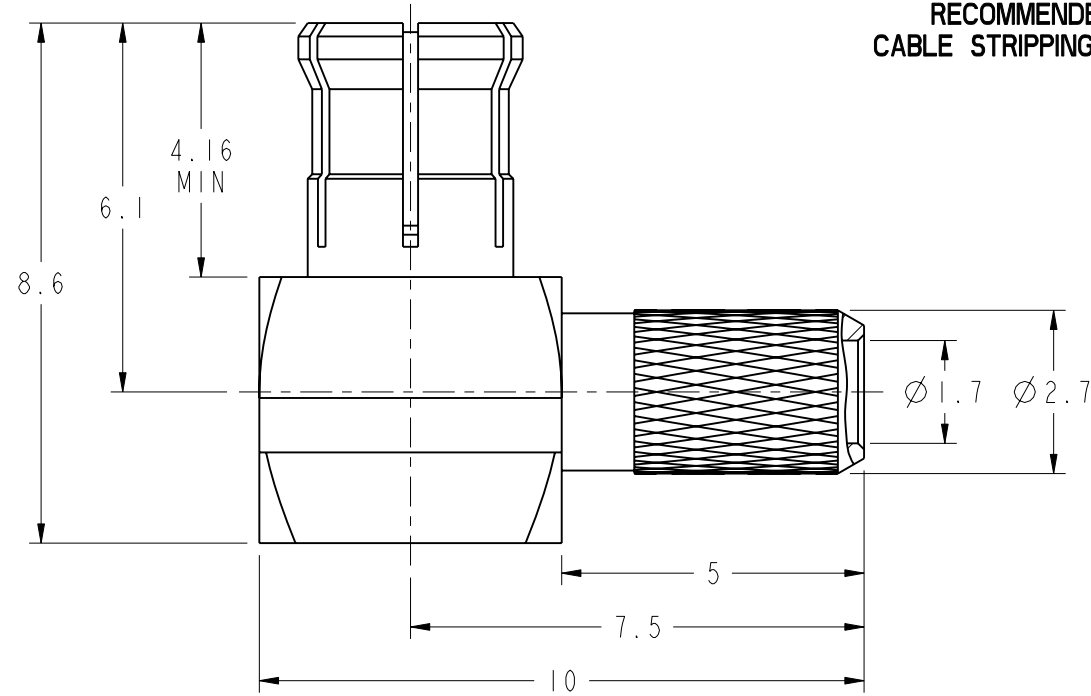
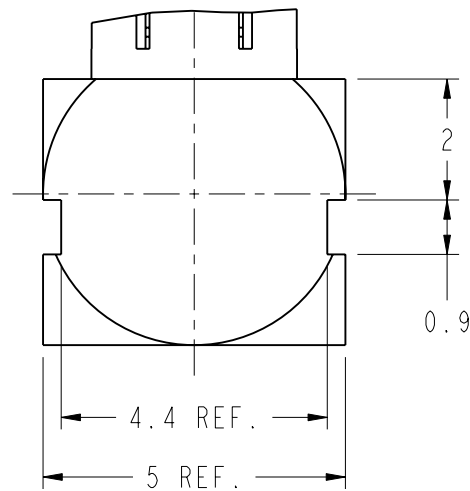
2. ELECTRICAL:

- A. IMPEDANCE: 50 OHM
- B. FREQUENCY RANGE: DC - 6 GHz
- C. VSWR: 1.5 MAX.
- D. DIELECTRIC WITHSTANDING VOLTAGE: 1000 VRMS. MIN.

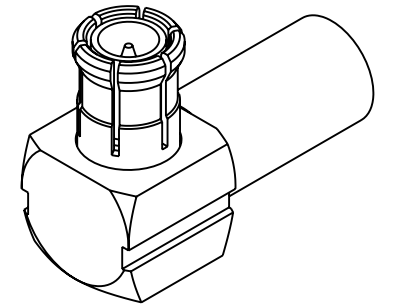
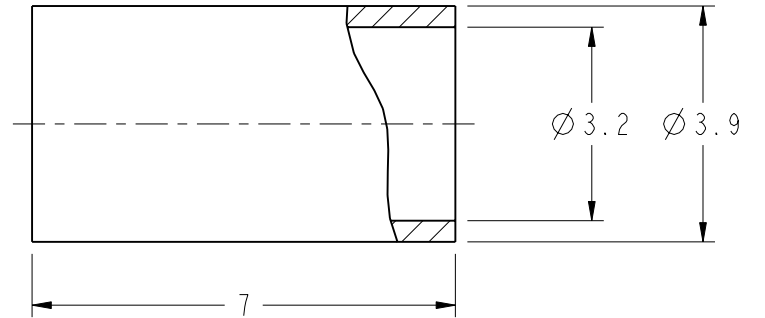
3. MECHANICAL:

- A. DURABILITY: 500 CYCLES MIN.
- B. TEMPERATURE RANGE: -40°C TO + 85°C

4. CRIMP FERRULE WITH .128" HEX



RECOMMENDED
CABLE STRIPPING DIM'S



SCALE 4.000

THIRD ANGLE PROJ.

REVISIONS

REV	DESCRIPTION	DATE	ECO	APPR
A	RELEASE TO MFG.	14-Jul-16	01326	KEN

CUSTOMER OUTLINE DRAWING

ALL OTHER SHEETS ARE FOR INTERNAL USE ONLY

UNLESS OTHERWISE SPECIFIED, DIMENSIONS ARE IN METRIC AND TOLERANCES ARE:
 < 0.5mm ± 0.05mm 0.5 - 6mm ± 0.1mm 6 - 30mm ± 0.2mm 30 - 120mm ± 0.3mm ANGLES ± 1°

NOTICE - These drawings, specifications, or other data (1) are, and remain the property of Amphenol corp. (2) must be returned upon request; and (3) are confidential and not to be disclosed to any person other than those to whom they are given by Amphenol Corp. the furnishing of these drawings, specifications, or other data by Amphenol Corp., or to any other person to anyone for any purpose is not to be regarded by implication or otherwise in any manner licensing, granting rights to permitting such holder or any other person to manufacture, use or sell any product, process or design, patented or otherwise, that may in any way be related to or disclosed by said drawings, specifications, or other data.

MATERIAL	DRAWN STAR	DATE 14-Jul-16	TITLE MCX R/A CRIMP PLUG (FOR RG-174/U, 188A/U, 316/U CABLE)	Amphenol RF www.amphenolrf.com	
REFERENCE AND CONFIGURATION LEVEL:	ENGINEER SUNDE	DATE 14-Jul-16			
FINISH	APPROVED S. HSIEH	DATE 14-Jul-16	SCALE: 8.0:1.0	SHEET 2 OF 2	DRAWING NO. 919-387P-51A
	CAD FILE		DWG SIZE B	REV A	ITEM NO. 919-387P-51A
					PART NO. 919-387P-51A