

MATERIALS AND FINISHES

BODY: BRASS
PLATED TRI-M

CONTACT: BRASS
PLATED SILVER

INSULATOR: TEFLON

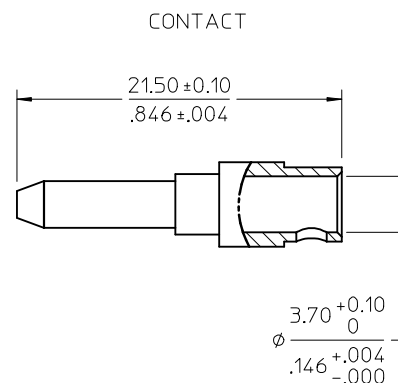
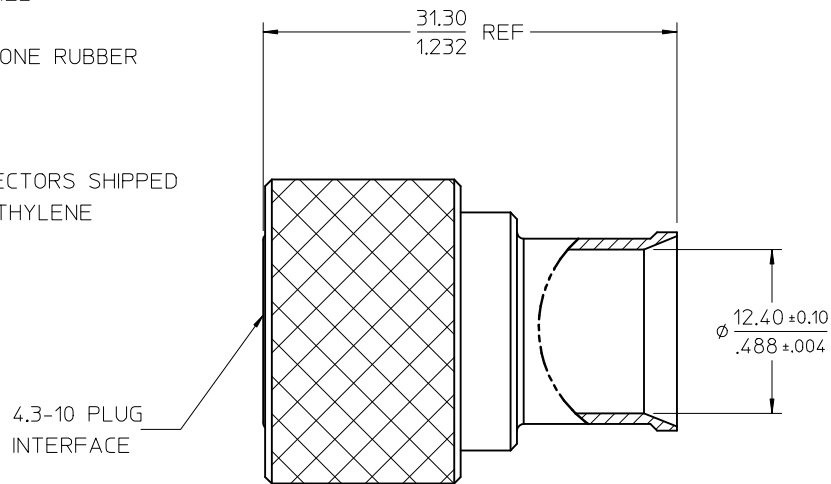
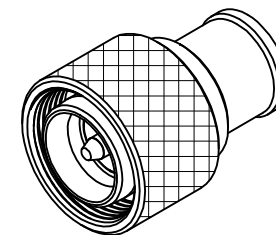
COUPLING NUT: BRASS
PLATED NICKEL

O-RING: SILICONE RUBBER

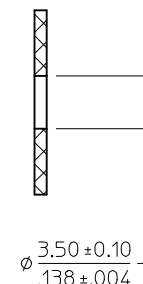
NOTE: CONNECTORS SHIPPED
WITH POLYETHYLENE
DUST CAP

PERFORMANCE REQUIREMENTS:

FREQUENCY RANGE: 0-6GHz
IMPEDANCE: 50 OHM
WITHSTAND VOLTAGE(AC): 2500V @0,5mA
VSWR: ≤1.10(0-3GHz)
PIM3(2x20W): ≤-165dBc@1800MHz
WATER-PROOF: IP68 WHEN MATED



INSULATOR SPACER



| | |
|------------|----------------------|
| 73162-6171 | ONE PIECE PER CARTON |
| 73162-6170 | BLANK |
| PART NO. | PACKAGING |

| | |
|---------------|-------------|
| IEC61169-54 | INTERFACE |
| SPECIFICATION | DESCRIPTION |

CHG: AND PACKAG.
PIM3 -165dBc WAS
-160dBc. PN.73162
WAS 73134

EC NO: URF2016-0691
DRAWN:YHUANG11 2016/04/15
CHKD:
APPR:MYE08 2016/04/20

DESCRIPTION

| REV | DESCRIPTION |
|-----|-------------|
| A1 | |

QUALITY SYMBOLS

GENERAL TOLERANCES (UNLESS SPECIFIED)

| | mm | INCH |
|----------|--------|---------|
| 4 PLACES | ± .004 | ± .0001 |
| 3 PLACES | ± .003 | ± .0001 |
| 2 PLACES | ± .002 | ± .0001 |
| 1 PLACE | ± .001 | ± .0001 |
| 0 PLACE | ± .000 | ± .0001 |

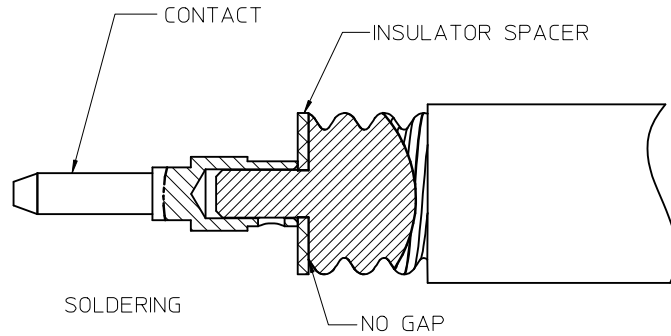
ANGULAR ± 2°

DRAFT WHERE APPLICABLE MUST REMAIN WITHIN DIMENSIONS

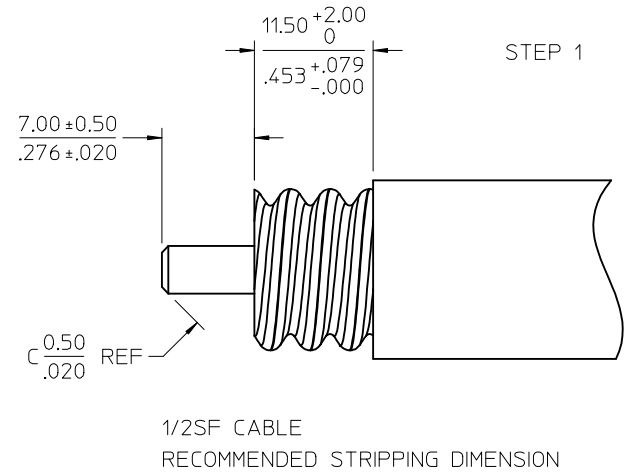
| DIMENSION STYLE | |
|-----------------|------------|
| MM/IN | |
| DRAWN BY | DATE |
| YHUANG11 | 2015/12/03 |
| CHECKED BY | DATE |
| MXU11 | 2015/12/03 |
| APPROVED BY | DATE |
| MYE08 | 2016/02/01 |
| MATERIAL NO. | |
| SEE TABLE | |
| SIZE | |
| C | |

| SCALE | DESIGN UNITS | THIRD ANGLE PROJECTION |
|---|--------------|------------------------|
| | METRIC | |
| TITLE | | |
| 4.3-10 PLUG, 50 OHM FOR 1/2SF CA, SOLDERING 4.3-10-PS,HAND-TIGHT | | |
| molex | | |
| MATERIAL NO. | DOCUMENT NO. | SHEET NO. |
| SD-73162-617 | | 1 OF 2 |
| THIS DRAWING CONTAINS INFORMATION THAT IS PROPRIETARY TO MOLEX INCORPORATED AND SHOULD NOT BE USED WITHOUT WRITTEN PERMISSION | | |

STEP 2

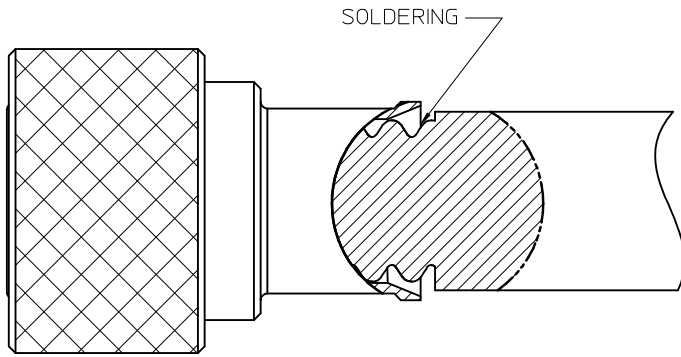


STEP 1



1/2SF CABLE
RECOMMENDED STRIPPING DIMENSION

STEP 3



IF USE SHRINK TUBE
PLACE IT ONTO CABLE BEFORE
SOLDER CONNECTOR BODY TO
CABLE OUTER CONDUCTOR

| | |
|---------------------|-------------|
| CHG: SEE SHEET 1 | 2016/04/20 |
| EC NO: URF2016-0691 | |
| DRWN:YHUANG11 | 2016/04/15 |
| CHKD: | |
| APPR:MYE08 | |
| REV | DESCRIPTION |
| A1 | |

| | |
|-----------------|-----|
| QUALITY SYMBOLS | ▽=0 |
| | ▽=0 |
| | ▽=0 |

| | | |
|--|--------|--------|
| GENERAL TOLERANCES (UNLESS SPECIFIED) | mm | INCH |
| 4 PLACES | ± .--- | ± .--- |
| 3 PLACES | ± .--- | ± .--- |
| 2 PLACES | ± .--- | ± .--- |
| 1 PLACE | ± .--- | ± .--- |
| 0 PLACE | ± .--- | ± .--- |
| ANGULAR ± 2 ° | | |
| DRAFT WHERE APPLICABLE MUST REMAIN WITHIN DIMENSIONS | | |

| | | |
|-----------------|------------|-----------|
| DIMENSION STYLE | | MM/IN |
| DRAWN BY | DATE | |
| YHUANG11 | 2015/12/03 | |
| CHECKED BY | DATE | |
| MXU11 | 2015/12/03 | |
| APPROVED BY | DATE | |
| MYE08 | 2016/02/01 | |
| MATERIAL NO. | | SEE TABLE |

| | | |
|---|--------------|------------------------|
| SCALE | DESIGN UNITS | THIRD ANGLE PROJECTION |
| | METRIC | |
| TITLE | | |
| 4.3-10 PLUG, 50 OHM FOR 1/2SF CA, SOLDERING 4.3-10-PS,HAND-TIGHT | | |
| molex | | |
| DOCUMENT NO. | SHEET NO. | |
| SD-73162-617 | 2 OF 2 | |
| THIS DRAWING CONTAINS INFORMATION THAT IS PROPRIETARY TO MOLEX INCORPORATED AND SHOULD NOT BE USED WITHOUT WRITTEN PERMISSION | | |