

THIS DRAWING IS UNPUBLISHED
VERTRAULICHE UNVERÖFFENTLICHE ZEICHNUNG

RELEASE FOR PUBLIKATION
FREI FUER VEROEFFENTLICHUNG

MATED WITH:
PASSEND ZU:
1102076

LOC AI DIST -

REVISIONS
ÄNDERUNGEN

© COPYRIGHT 2000 BY AMP INCORPORATED

ALL RIGHTS RESERVED
ALLE RECHTE VORBEHALTEN

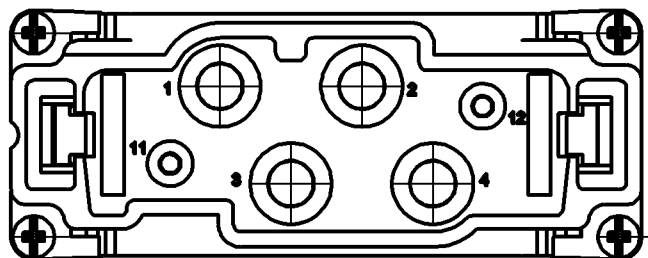
PROJEKT NR.
EGGMN04419

D1

DESCRIPTION
BESCHREIBUNG
NEW CSL LOGO ADDED ECR-08-020094

DATE 11.08.2008
DWN SR
APVD ST

CONTACT ARRANGEMENT VIEW FROM CONECTING SIDE

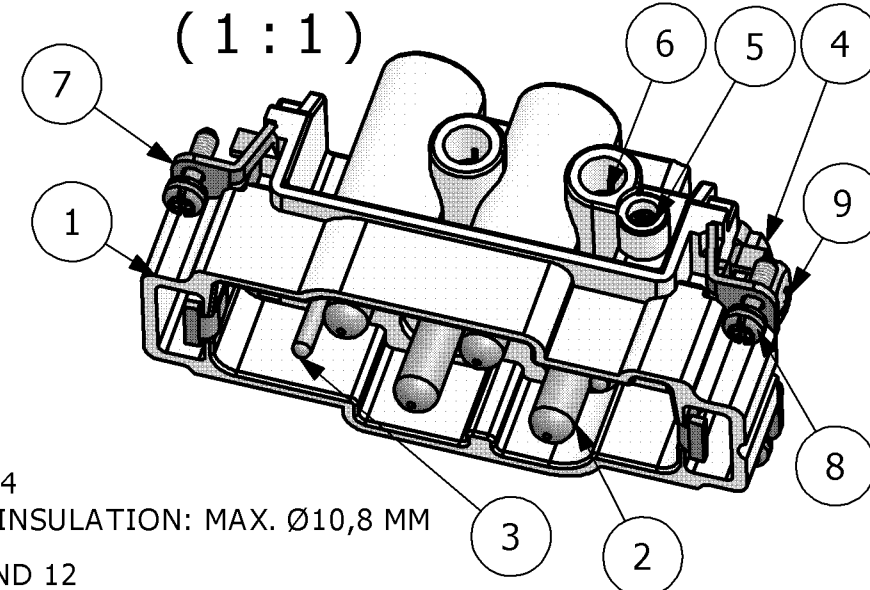


A (2:1)



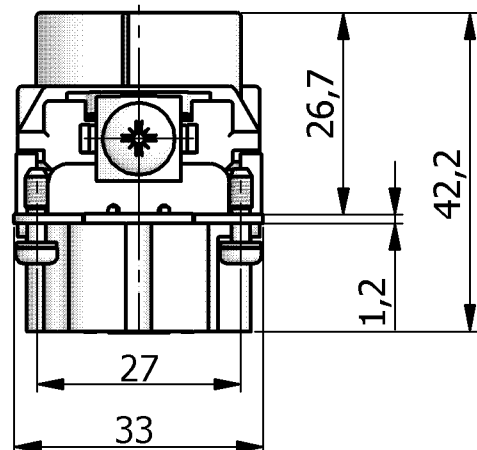
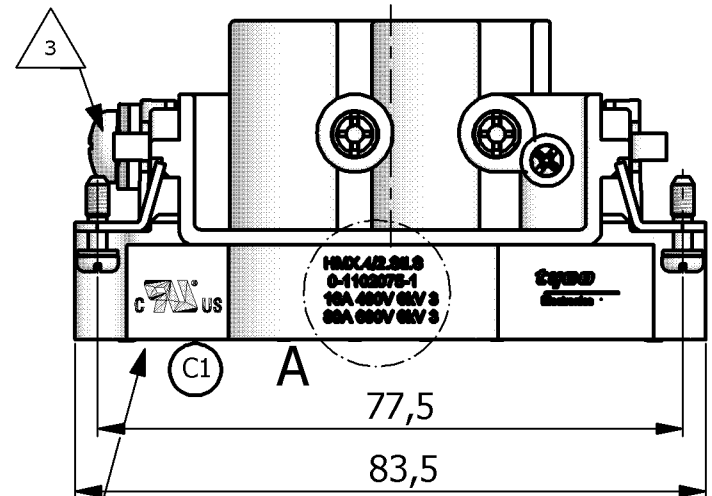
0-1 AS SHOWN
ORDERING TEXT: HMX.4/2.STI.S

(1:1)



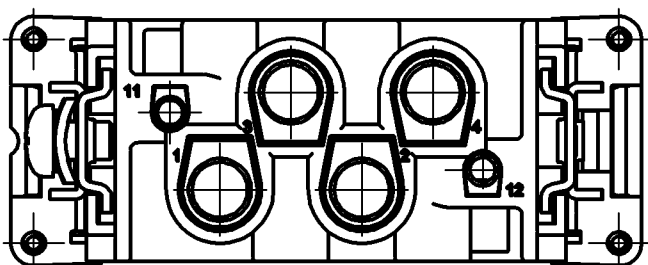
NOTES

- 1 POWER CONTACT: 1 TO 4
OUTER DIMENSIONS OF INSULATION: MAX. Ø10,8 MM
- 2 SIGNAL CONTACT: 11 AND 12
OUTER DIMENSIONS OF INSULATION: MAX. Ø4,8 MM
- 3 △ GROUNDING CONTACT
- 4 SUITABLE HOOD SIZE 6: SERIES HB; HD; EMV AND HIP
- 5 STANDARDS:
DIN EN 61984; DIN EN 60664-1
- 6 △ UL; CSA AUTHORISATION
- 7 PACKAGING:
5 PIECES IN A CARTON

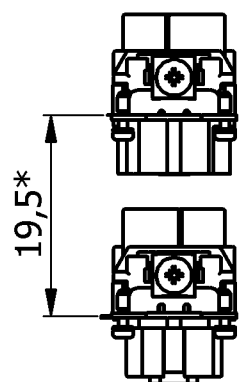
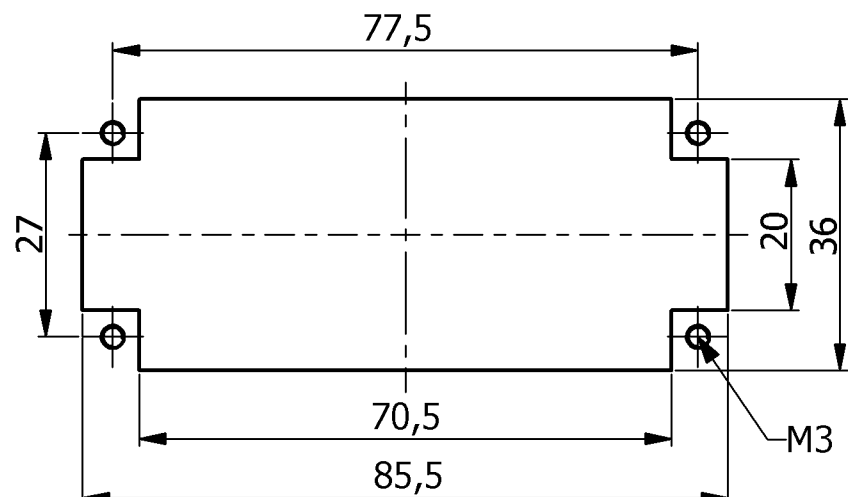


* DISTANCE FOR GUARANTEED
CONTACT MAX. 21 mm

CONTACT ARRANGEMENT VIEW FROM TERMINATION SIDE



PANET CUT-OUT CONTACT INSERT WHEN USED WITHOUT HOUSING



QTY.	DESCRIPTION	MATERIAL	SURFACE	COLOR	NOTE	ITEM
1	SCREW	STEEL	NICKEL PLATED	BLUE	DIN EN ISO 1207-M5X8	9
4	FIXING SCREW	STEEL	NICKEL PLATED	BLUE	M3X10,5	8
2	PIN GROUNDING CONTACT	BRASS	NICKEL PLATED	BLUE	-	7
4	THREAD PIN	STEEL	NICKEL PLATED	BLUE	-	6
2	CONTACT SCREW	STEEL	NICKEL PLATED	BLUE	M3X5,7	5
1	CLAMP TAB	STEEL	NICKEL PLATED	BLUE	---	4
2	CONTACT PIN	BRASS	SILVER PLATED	BLUE	-	3
4	PIN CONTACT	BRASS	SILVER PLATED	BLUE	-	2
1	MALE INSERT	PBT-GF30	-	LIGHT GREY	-	1

PARTS LIST

THIS DRAWING IS A CONTROLLED DOCUMENT FOR AMP INCORPORATED. IT IS SUBJECT TO CHANGE AND THE CONTROLLING ENGINEERING ORGANIZATION SHOULD BE CONTACTED FOR THE LATEST REVISION. DIESSES ZEICHNUNGSDOKUMENT WIRD DURCH AMP INCORPORATED KONTROLLIERT. ÄNDERUNGEN, DIE DEN TECHNISCHEN FORTSCHRITT DIENEN, SIND VORBEHALTEN. DEN JEWELTS LETZTIGUELTTIGEN ÄNDERUNGSSTAND ERFAHREN SIE AUF ANFRAGE.		DWN 12.07.2005	tyco Electronics		Tyco / Electronics AMP GmbH D - 53819 Neunkirchen	
DIMENSIONS: DIMENSIONEN: mm		CHK 12.07.2005				
TOLERANCES UNLESS OTHERWISE SPECIFIED: ALLGEMEINTOLERANZEN		NAME		MALE INSERT		
n. ISO 8015 - n. ISO 2768 - mH-E n. DIN 16901- 140		PRODUCT SPEC. PRODUKTSPEZ.		HMX.4/2.STI.S		
0 PLC # 1 PLC # 2 PLC # 3 PLC # ANGLES / WINKEL #		APPLICATION SPEC. VERARBEITUNGSSPEZ.		SIZE	CAGE CODE	DRAWING NO ZEICHNUNGS-NR.
MATERIAL		WEIGHT GEWICHT		A3	00779	1102075
FINISH / OBERFLÄCHE / FARBE		CUSTOMER DRAWING / KUNDENZEICHNUNG		SCALE MASSSTAB	1:1	SHEET BLATT
				1	OF VON	1
						REV. D1