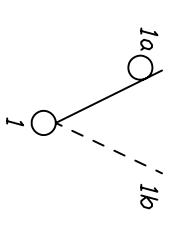
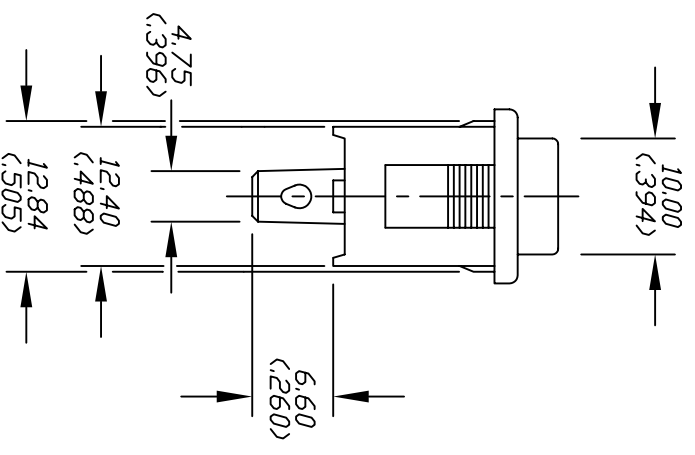


RECOMMEND P.C.B. PANEL MOUNTING

PANEL THICKNESS	X
0.75-1.25 (.030-.049)	19.2 (.756)
1.25-2.0 (.049-.079)	19.4 (.764)
2.0-3.0 (.079-.118)	19.8 (.780)



CIRCUIT: SPDT
CONTACT CONFIGURATION

NOTES:

1. ALL DIMENSIONS IN MM (INCHES)
2. TERM. NDS. FOR REF ONLY

REV.	DESCRIPTION	DATE	CHKD
A	RELEASED FOR PRODUCTION		

TOLERANCES	
0.0	±0.4
0.00	±0.25

TITLE		SCALE	DATE	DR	DWG	REV
E-SWITCH		1.5:1	2/12/98	MM	M301220	A
R19661WWEF						

THE INFORMATION CONTAINED IN THIS DOCUMENT IS PROPRIETARY TO E-SWITCH AND IS NOT TO BE COPIED OR TRANSFERRED