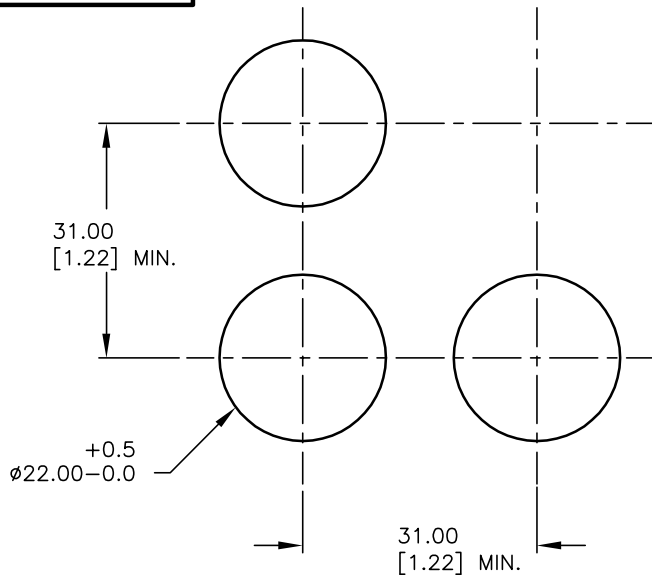
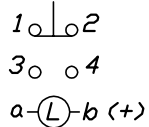


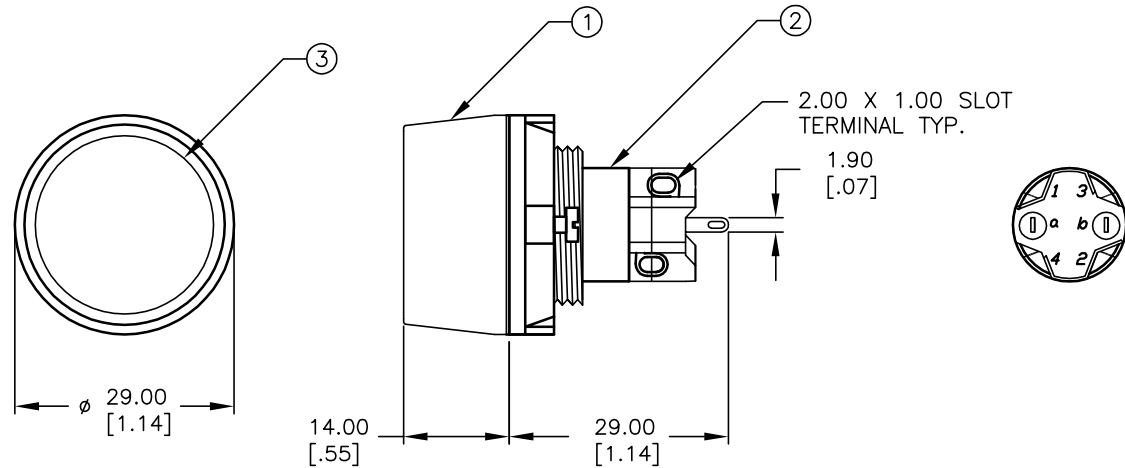
Item	Qty.	Dwg. No.	Part No.
1	1	F051701	29mm RING FOR LA SERIES
2	1	F060614	LASEEU110
3	1	F060295	29mm RED LENS
-	1	F050402	50-004-02 (LAMP)



RECOMMENDED PANEL MOUNTING



SPST  
CONTACT CONFIGURATION



NOTES:

- ALL DIMENSIONS IN MM [INCH]
- GENERAL TOLERANCE: X.X=±0.4  
X.XX=±0.25
- RATINGS: 250VAC @1A, 2A, 4A, 5A
- CONTACT MATERIAL: Cu Alloy w/Silver plate.
- TRAVEL: 3.0mm
- FEATURES: OIL AND WATERTIGHT SEAL

**E-SWITCH®**

TITLE		LASEEU11ARED			
SCALE	DATE	DR	DWG	REV	
1:1	4/16/04	AR	XF0396P	A	

A	13935	RELEASED FOR PRODUCTION	4/16/04	AR
REV.	ECN No.	DESCRIPTION	DATE	CHKD

THE INFORMATION CONTAINED IN THIS DOCUMENT IS PROPRIETARY TO E-SWITCH AND IS NOT TO BE COPIED OR TRANSFERRED