

DETAILS

Product Number	C12041_EVA-S
Family	Eva
Type	Lens
Color	clear
Diameter	35 mm
Height	16,4 mm
Style	round
Optic Material	PMMA
Holder Material	
Fastening	
Status	production ready
ROHS Compliant	Yes
Date Updated	1/03/2013

OPTICAL PROPERTIES

LED	Viewing	Light	Effi-		Connector
	Angle	Beam	ciency	cd/lm	
XM-L	13 deg	Spot	94 %	-	-
XM-L HVW	sim: 13	Spot	90 %	-	-
XP-G2	sim: 10	Spot	sim: 94 %	-	-
NSMx286M	17 deg	Spot	93 %	6.370	-
Duris P10	sim: 19	Spot	sim: 93 %	sim: 6.800	-

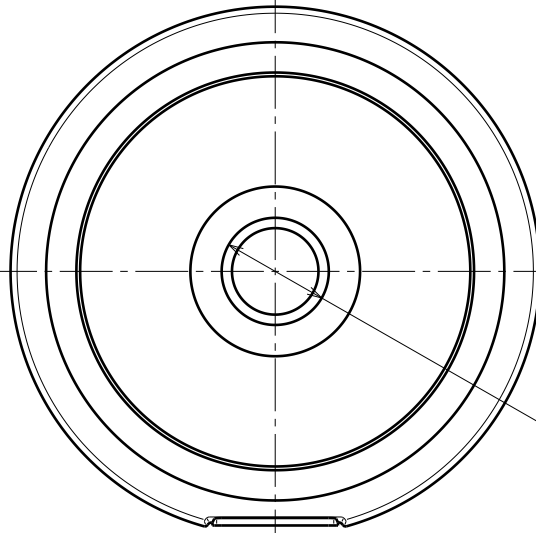
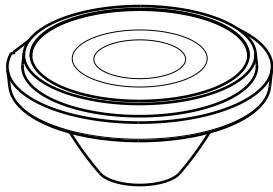


D

C

B

A

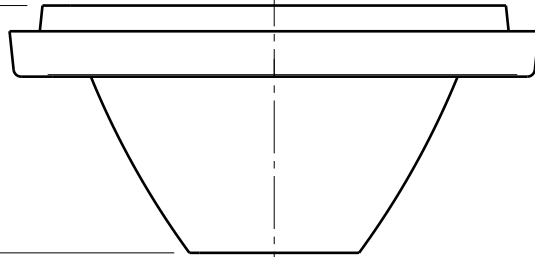


Bottom view

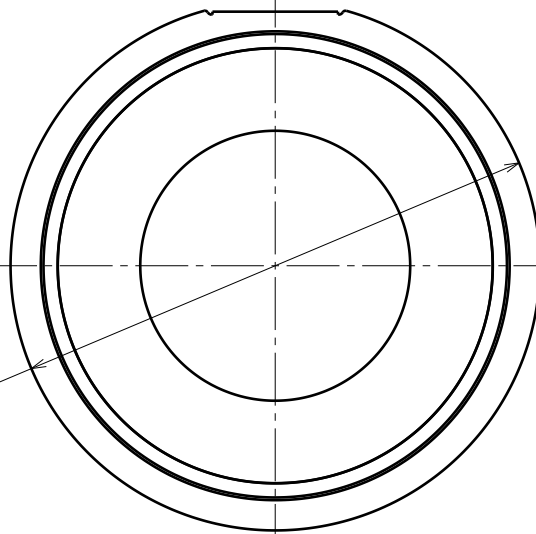
Ø 6.8

Ø 30.5

16.4



Side view



Top view

Ø 35

Tolerances if not otherwise shown:
 According to DIN ISO 2768-1
 Linear measures:
 Up to 30mm class M, otherwise class C.

According to DIN ISO 2768-2
 Form and position:
 class L

Raw material(s):
 PMMA 8N

This drawing is our property.
 It can't be reproduced
 or communicated without
 our written agreement.



Ledil Oy
 Salorankatu 10
 24100 SALO
 Finland

DRAWING TITLE

Datasheet Eva Spot Lens

DRAWN BY
ah

DATE
1.3.2013

CHECKED BY

DATE

SIZE
A4

DRAWING NUMBER

C12041

REV
1

DESIGNED BY
HH

DATE
26.08.2008

SCALE

2:1

WEIGHT (g)

SHEET

1/1

D

A

4

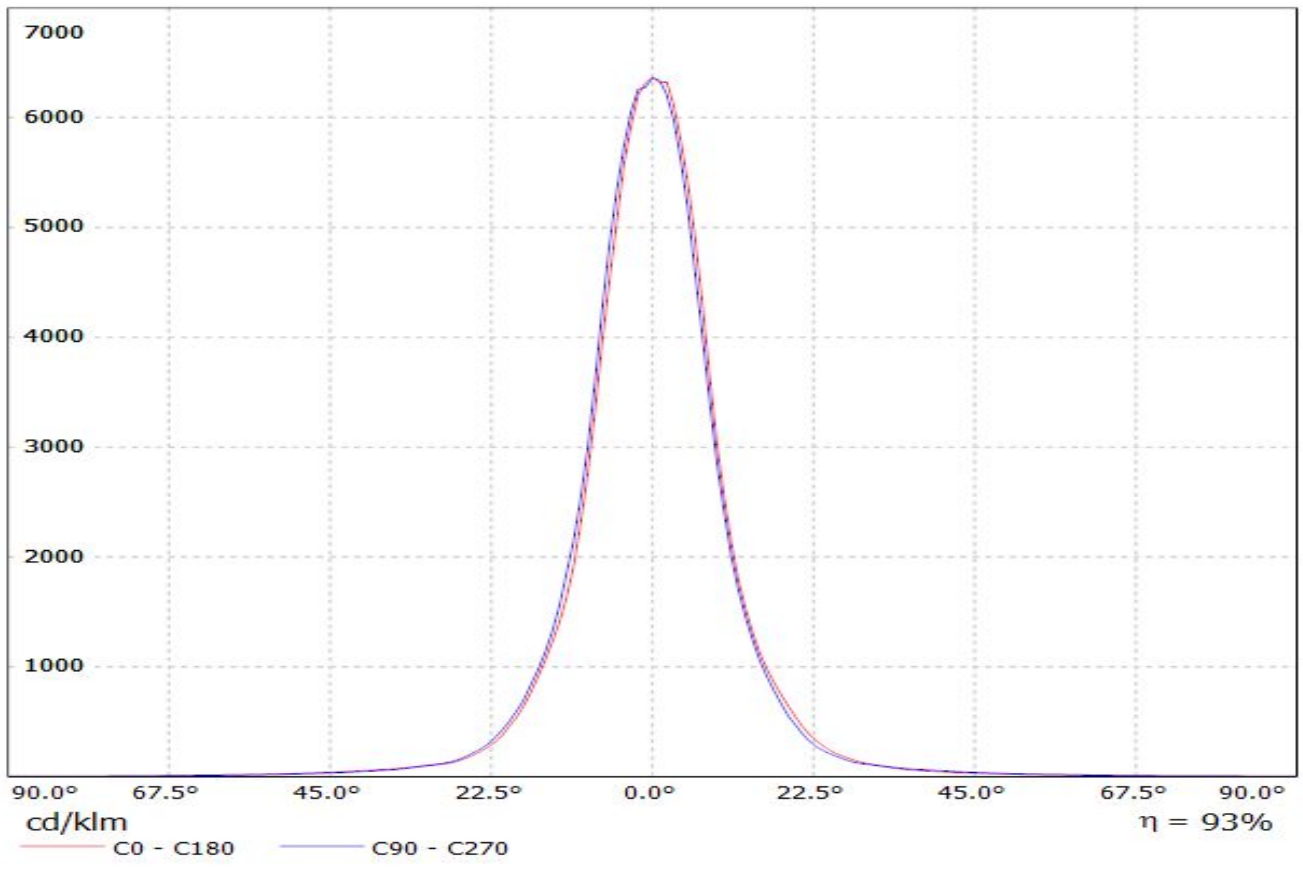
3

2

1

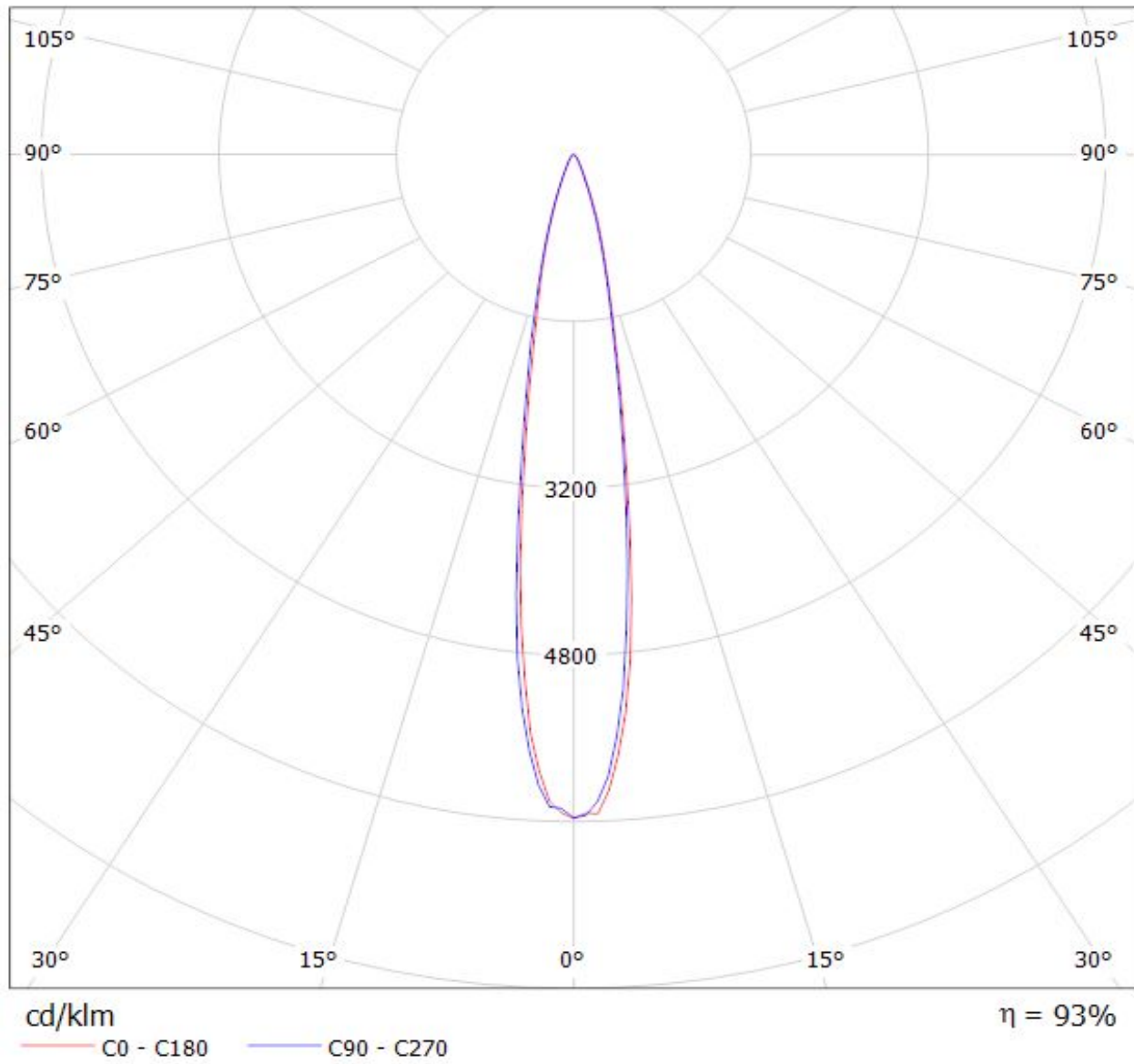
1

Luminaire: LEDiL Oy C12041_EVA-S (NICHIA_286) Eff.93%
Lamps: 1 x NICHIA_286_(NSML286ME) 322.274lm@100mA CCT=3000K P=3.42532W I=100.1mA



Luminaire: LEDiL Oy C12041_EVA-S_(NICHIA_286) Eff.93%

Lamps: 1 x NICHIA_286_(NSML286ME) 322.274lm@100mA CCT=3000K P=3.42532W I=100.1mA



NOTE: The typical divergence will be changed by different color, chip size and chip position tolerance. The typical total divergence is the full angle measured where the luminous intensity is half of the peak value.