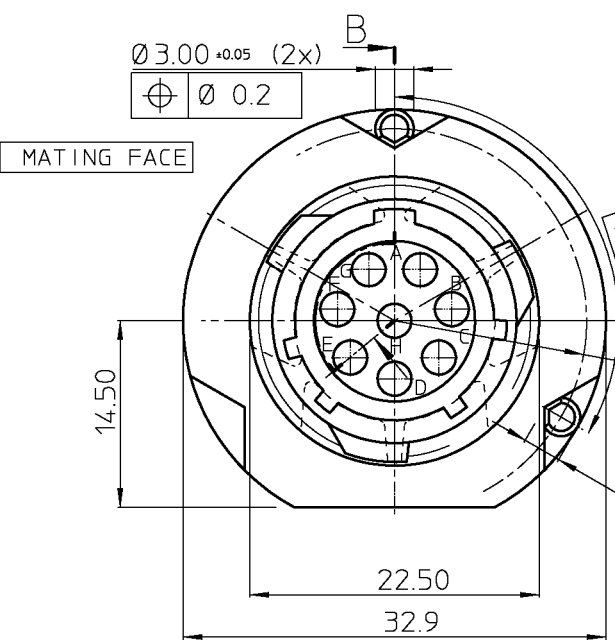
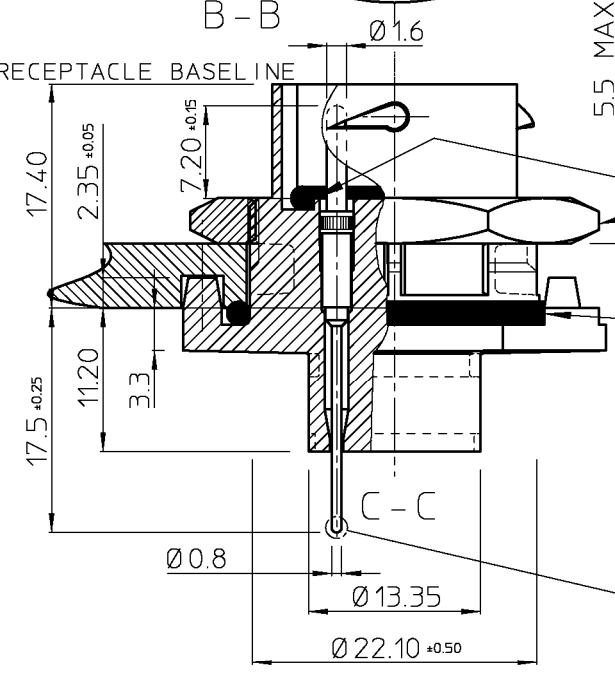
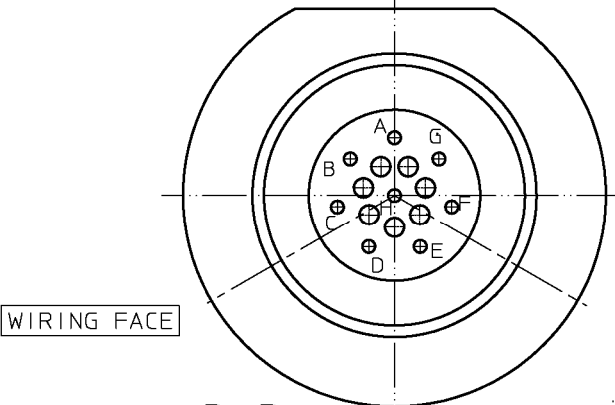


DIT IS ONZE EIGENDOM EN MAG NOCH NAGEMAAKT, HERDRUKT, OVERGEMAAKT AAN DERDEN, NOCH VOOR FABRIKATIE GEBRUIKT WORDEN, ZONDER ONZE SCHRIFTELIJKE TOELATING. BIJ NIET GEBRUIK IS DE TERUGZENDING VERP. ICHT.  
 THIS IS OUR EXCLUSIVE PROPERTY. IT IS NOT TO BE COPIED, REPRINTED, OR DISCLOSED TO A THIRD PARTY, NOR USED FOR MANUFACTURING WITHOUT OUR WRITTEN CONSENT, AND HAS TO BE RETURNED TO US IN CASE OF NO USAGE

BS, A , 202343, 001, 0D

REV.	DATE	DESCRIPTION	BY	C'K'D'
0B	19.06.97	ADDITIONAL FORM ADDED	S.V.D.	
0C	02.07.97	Set RFT	S.V.D.	
0D	21/08/97	PROPOSAL TO CHANGE CONTACTPOINT	R.J.V.	



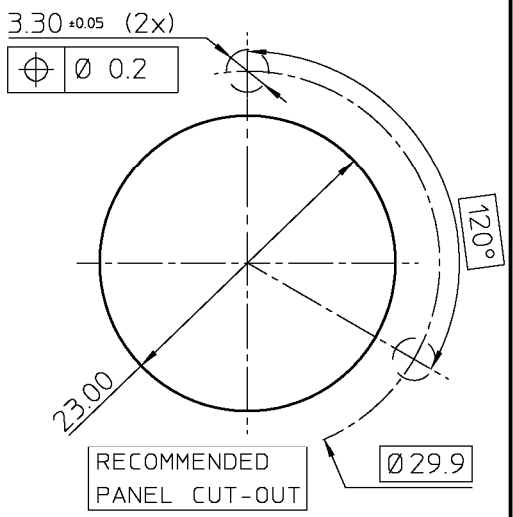
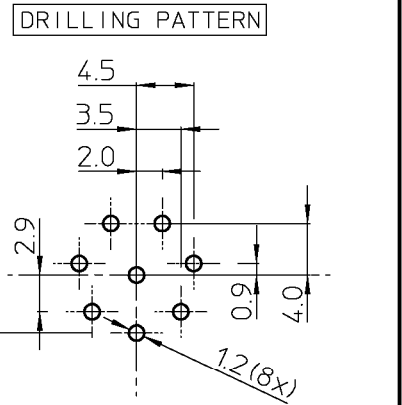
**MATERIAL :**

BODY : GLASS-REINFORCED THERMOPLASTIC  
 CONTACTS : MACHINED CONTACTS, CuZn ALLOY,  
 PLATING : 0.4μ Au MIN ALL OVER  
 MOUNTING NUT : BRASS, Ni PLATED  
 O-SEALS : PERBUNAN

**PERFORMANCE CHARACTERISTICS :**

OPERATING TEMPERATURE : -40°C TO +125°C  
 INSULATING RESISTANCE : 5000MΩ MIN.  
 TEST POTENTIAL : 2000 V EFF.  
 CURRENT RATING : 5 A  
 CONTACT RESISTANCE : 6 mΩ

O-SEAL BETWEEN PLUG AND RECEPTACLE  
 MOUNTING NUT PG16 1.5 - 2.5 Nm  
 O-SEAL BETWEEN PANEL AND RECEPTACLE



GEN. ST.	01	02	03	04	05	06	07	08	0D	50	60	70	80	90																	
INT. ST.	10	11	12	13	14	18	20	31	32	33	34	38	39	40	42	43	44	45	46	48	56	70	72	73	75	76	81	82	83	84	88

1DEC ±0,2 1DEC 2DEC ±0,1 2DEC ANGLES ±1° HOEKEN	<b>APPR.</b> DRAFT CHECKED	<b>DATE</b> 15-04-97	<b>SIGN.</b> S. Van Dessel	UTP BULKH. ASS'Y W. MACHINED BULL NOSE CONTACTS <b>CAT. No.</b> UTP7128PHGE38
WE RESERVE THE RIGHT TO CHANGE DIMENSIONS OR REQUIREMENTS WITHOUT PRIOR NOTICE.	PROD. MGR. PR. ENG. MGR. PR. MGT. MGR.	<b>REFERENCES / REFERENTIES</b>		SOURIAU Route Nationale 23 72470 CHAMPAGNE
ALL DIMENSIONS IN MM ALLE AFMETINGEN IN MM	<b>SCALE</b> 1.7:1			BS, A , 202343, 001, 0D DRAWING NR. CUSTOMER DRAWING