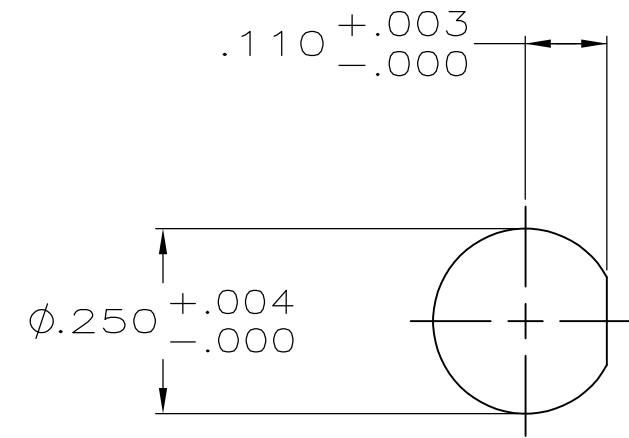
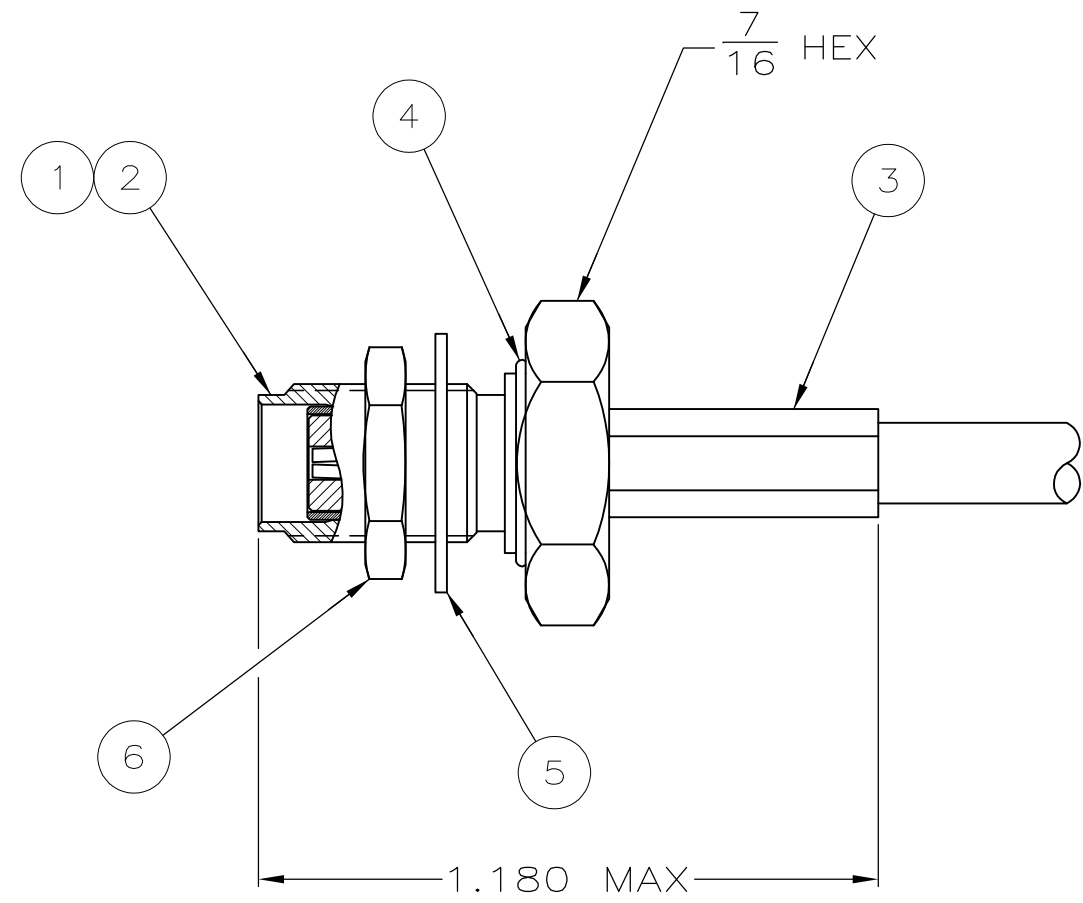


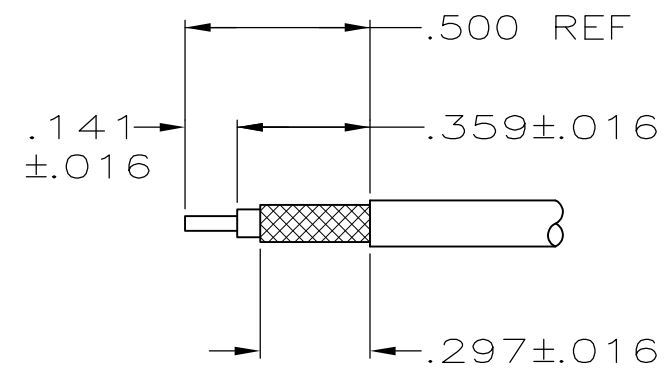
THIS DRAWING IS UNPUBLISHED. RELEASED FOR PUBLICATION
 © COPYRIGHT BY TYCO ELECTRONICS CORPORATION. ALL RIGHTS RESERVED.

LOC		DIST		REVISIONS			
P	LTR	DESCRIPTION	DATE	DWN	APVD		
	G	PER EC OS14-0403-04	12/29/04	DC	DCam		
	G1	REVISED PER ECO-09-020932	04SEP09	KK	AEG		

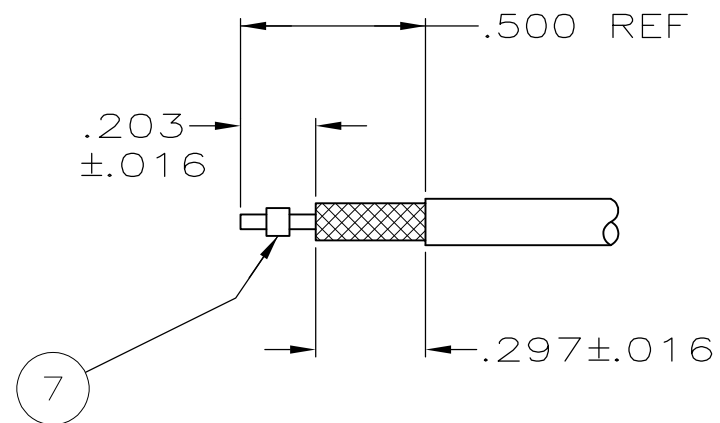


RECOMMENDED PANEL CUTOUT

- ⚠ 1 FOR USE WITH RG-142/U, 142 A/U, AND 142 B/U CABLE.
- ⚠ 2 FOR USE WITH RG-174/U, 188/U, AND 316/U CABLE.
- ⚠ 3 FOR USE WITH BELDEN YR20621, (RG-58 TYPE) CABLE WITH CRIMPED OR SOLDERED CENTER CONTACT.
- ⚠ 4 FOR USE WITH RG-316/U CABLE WITH CRIMPED OR SOLDERED CENTER CONTACT.
- ⚠ 5 CENTER CONTACT: CRIMPING TOOL M22520/2-01 POSITIONER, DMC K997 SELECTOR SETTING, SEE TABLE
- ⚠ 6 FERRULE: CRIMPING TOOL M22520/5-01 DIE M22520/5-11 OR .213X.400 HEX
- ⚠ 7 FERRULE: CRIMPING TOOL M22520/5-01 DIE M22520/5-35 B OR .128X.400 HEX
- 8. PRODUCT MEETS PRODUCT SPECIFICATION 108-1574.
- ⚠ 9 ITEM 7 IS NOT USED WITH CRIMPED CENTER CONTACT (APPLICABLE TO 448103-3 ONLY).
- 10. INSTRUCTION SHEET: 408-4032
- ⚠ 11 OBSOLETE PARTS: OBSOLETE CIS STREAMLINING PER D.RENAUD/D.SINISI



RECOMMENDED STRIP LENGTH FOR CRIMPED CENTER CONTACT ⚠ 9



RECOMMENDED STRIP LENGTH FOR SOLDERED CENTER CONTACT

⚠ 11 OBSOLETE	⚠ 4	⚠ 5	⚠ 2	-	2-332004-0	1-22145-3	1-22130-6	9-446556-1	447842-3	448105-4	448103-4	
⚠ 11 OBSOLETE	⚠ 5	⚠ 3	⚠ 1	447863-1	2-332004-0	1-22145-3	1-22130-6	2-446556-7	447961-3	448105-3	448103-3	
⚠ 11 OBSOLETE	⚠ 4	⚠ 5	⚠ 2	-	2-332004-0	1-22145-3	1-22130-6	9-446556-1	447842-3	448105-2	448103-2	
⚠ 11 OBSOLETE	⚠ 7	⚠ 5	⚠ 1	-	2-332004-0	1-22145-3	1-22130-6	9-446556-0	447961-3	448105-1	448103-1	
	FERRULE CRIMPING TOOL	SELECTOR SETTING	CENTER CONTACT CRIMPING TOOL	CABLE SIZE	Ⓣ 7 SPACER QTY=1	Ⓣ 6 JAM NUT QTY=1	Ⓣ 5 LOCK-WASHER QTY=1	Ⓣ 4 O-RING QTY=1	Ⓣ 3 FERRULE QTY=1	Ⓣ 2 CONTACT QTY=1	Ⓣ 1 BULKHEAD JACK ASSY QTY=1	PART NUMBER

THIS DRAWING IS A CONTROLLED DOCUMENT.

DWN	BRENT D. YOHN	11-20-92
CHK	LANG LE	11-24-92
APVD	LANG LE	11-24-92
PRODUCT SPEC		
APPLICATION SPEC		
WEIGHT		
CUSTOMER DRAWING		

tyco Electronics Tyco Electronics Corporation
Harrisburg, PA 17105-3608

NAME: CONNECTOR, JACK, BULKHEAD, SMA, HEX CRIMP, COMMERCIAL

SIZE	A2	CAGE CODE	00779	DRAWING NO	C=448103	RESTRICTED TO	-
SCALE	NONE	SHEET	1	OF	1	REV	G1