

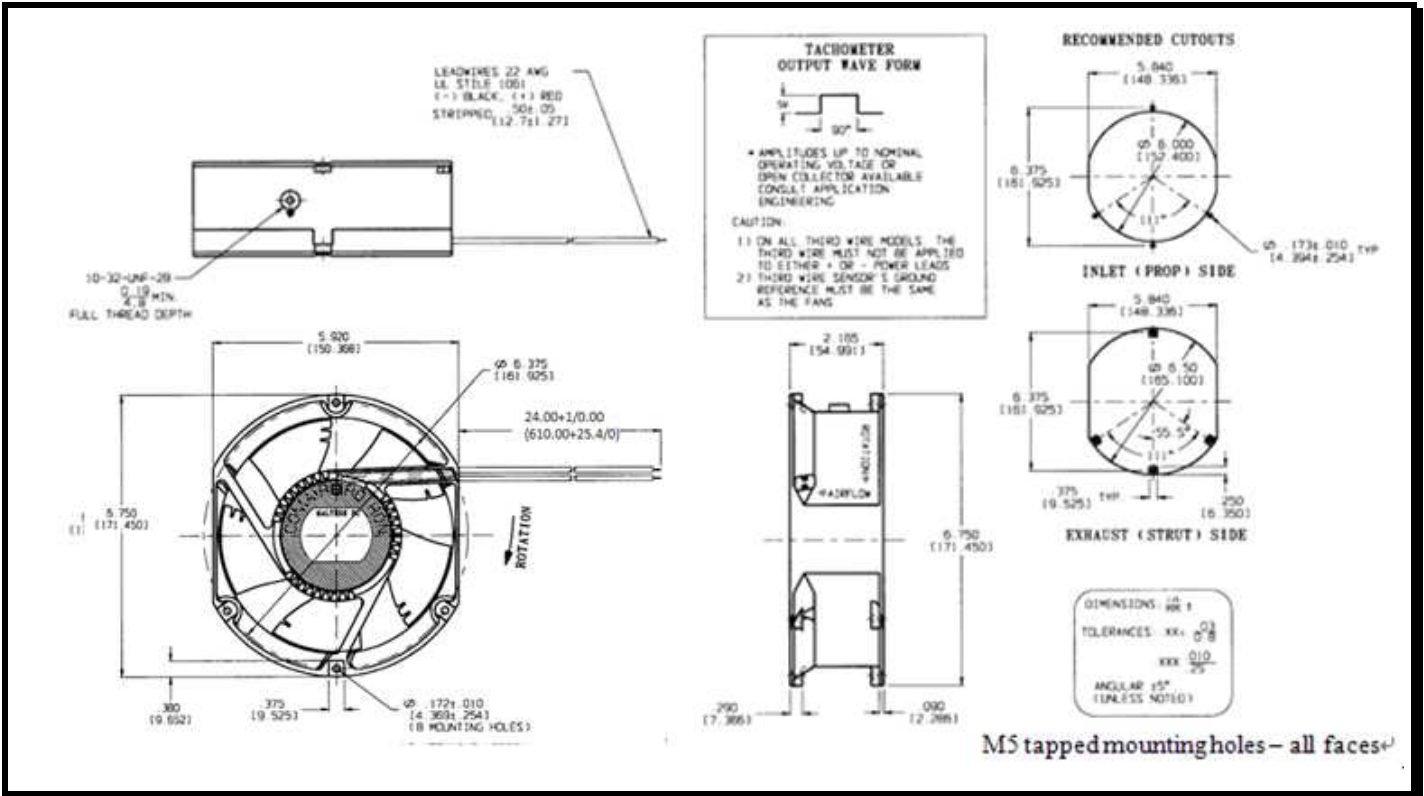
# SPECIFICATIONS



**Model Number:** MT24R0X-E2  
**Part Number:** 041196

Commscope 460114770  
 May 19, 2011 REV: 01

## Mechanical Drawing:



### Motor:

Nominal Voltage = 24 vdc  
 Operating Voltage Range = 12 - 28 vdc  
 Nominal Running Current = 1.70 amps  
 Max. Locked Rotor Current = 3.50 amps  
 Running Power = 41.0 watts  
 Average Speed = 3450 RPM  
 Bearings = Ball  
 Air Flow = 300 CFM

### Construction:

Venturi: Aluminum, Black.  
 Propeller: Plastic, Black, UL94V-0

### Life Expectancy:

This fan is designed for continuous duty life of 90,000 hours at 40°C.

### Agency Approved:

UL,CUL, CE

### Additional Features:

Brushless DC Motor  
 Electronic Locked Rotor Protected  
 Polarity Protected  
 Automatic Restart Capability  
 Operating Temperature: -10°C to 70°C  
 Storage Temperature: -40°C to 85°C  
 Enviroshield: Type 2  
 Programmable Speed Control  
 M5 tapped mounting holes - all faces  
 Finger Guard 550272 attached to strut side

### Tachometer:

Output: 5 volt TTL  
 I<sub>c</sub>: 5 mA Typical  
 Isolated: No  
 Pulses per Revolution: 2

### Termination:

24" Harness, fan edge/tip of connector, 22 AWG, UL 1061  
 Connector: Tyco 350780-1  
 Terminals: Tyco 350561-3  
 Wire Seal: Tyco 794274-1  
 Pin 1: Tachometer (Blue)  
 Pin 2: Negative: Fan Ground (Black)  
 Pin 3: Positive: Fan Power (Red)  
 Pin 4: Program Lead (Yellow)

# Fan Performance Curve

