

THE INFORMATION CONTAINED HEREIN IS CONSIDERED "PROPRIETARY" TO BEL FUSE INC. AND SHALL NOT BE COPIED, REPRODUCED OR DISCLOSED WITHOUT THE WRITTEN APPROVAL OF BEL FUSE INC.

LED1 POLARITY			LED2 POLARITY		
PIN 13	PIN 14	COLOR	PIN 15	PIN 16	COLOR
-	+	GREEN	-	+	GREEN



ELECTRICAL CHARACTERISTICS @ 25°C

URNS RATIO

TP1	1CT : 1CT ±2%
TP2	1CT : 1CT ±2%
TP3	1CT : 1CT ±2%
TP4	1CT : 1CT ±2%

DCL @ 100kHz/100mVRMS

8mA DC BIAS 350µH MIN.

INS. LOSS

0.1MHz TO 1MHz	-1.1 dB MAX
1MHz TO 65MHz	-0.5 dB MAX
65MHz TO 100MHz	-0.8 dB MAX
100MHz TO 125MHz	-1.2 dB MAX

RET. LOSS (MIN)

0.5MHz-40MHz -18 dB
40MHz-100MHz -12+20LOG(f/80MHz) dB

CROSS TALK

100kHz - 100MHz -33+20LOG(f/100MHz)dB MIN

CM TO CM REJ

100kHz - 100MHz -30 dB MIN

CM TO DM REJ

100kHz - 100MHz -35 dB MIN

HIPOT (Isolation Voltage):

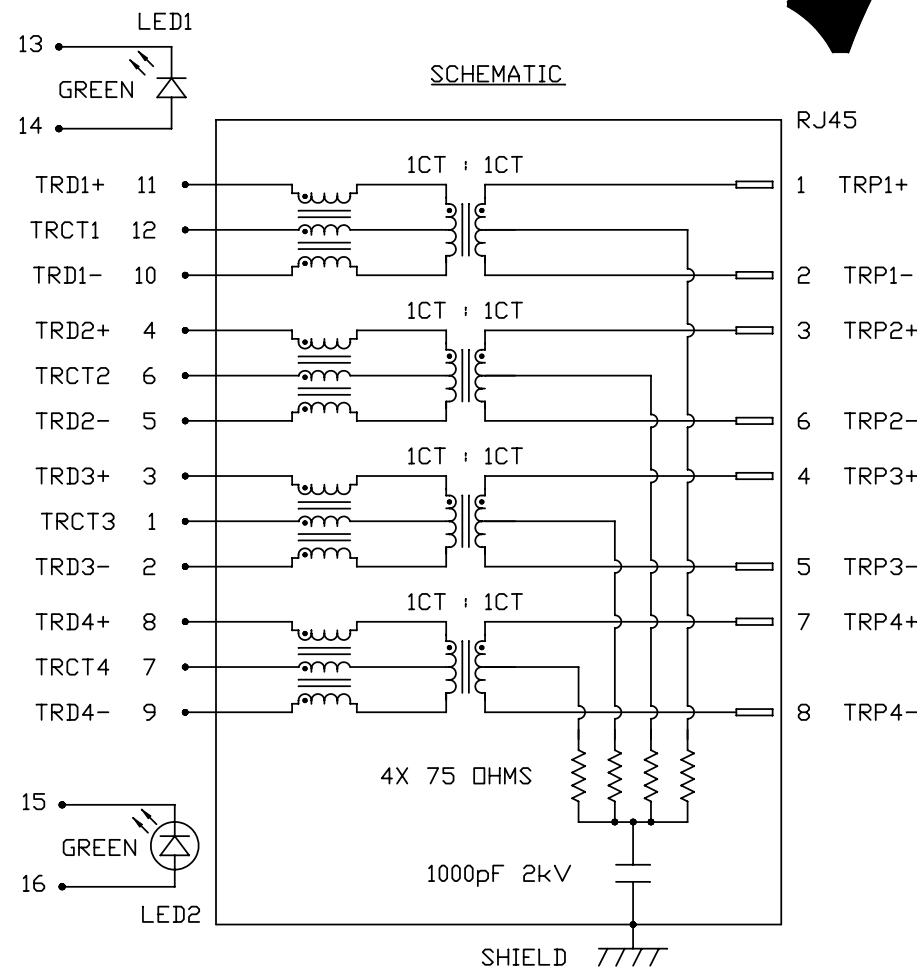
1500 Vrms or 2250 VDC

LED 1 & 2

VF (FORWARD VOLTAGE) IF=20mA GREEN 2.2V TYP.
λD (DOMINANT WAVELENGTH) IF=20mA GREEN 565nm TYP.

USB ELECTRICAL:

INSULATION RESISTANCE: 1000 MEGA Ω(MIN)
CONTACT RESISTANCE: 25 MILLI Ω(MAX)
DIELECTRIC WITHSTANDING: 750 VAC



ORIGINATED BY	DATE	TITLE
CHOW WANGCHUNG	06-04-11	gigabit MagJack® Combo (single USB, 8 cores) 0821-1G1T-43-F PATENTED
DRAWN BY	DATE	
TAN QIGUANG	06-04-11	

PART NO. / DRAWING NO.	STANDARD DIM. TOL. IN INCH	[] METRIC DIM. AS REFERENCE
08211G1T43-F	.X .XX .XXX	UNIT : INCH [mm] SCALE : N/A REV. : B SIZE : A4 PAGE : 2
FILE NAME	08211G1T43-F_B.DWG	

ORIGINATED BY	DATE	TITLE	PART NO. / DRAWING NO.	STANDARD DIM. TOL. IN INCH	[] METRIC DIM. AS REFERENCE
CHOW WANGCHUNG	06-04-11	gigabit MagJack® Combo (single USB, 8 cores) 0821-1G1T-43-F PATENTED	08211G1T43-F	.X .XX .XXX	UNIT : INCH [mm] SCALE : N/A REV. : B SIZE : A4 PAGE : 2
DRAWN BY	DATE		FILE NAME	08211G1T43-F_B.DWG	
TAN QIGUANG	06-04-11				

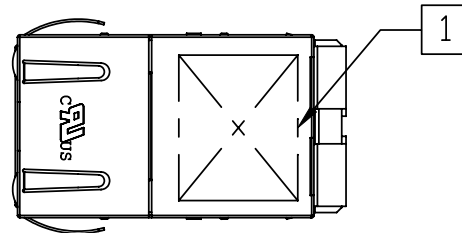


THE INFORMATION CONTAINED HEREIN IS CONSIDERED "PROPRIETARY" TO BEL FUSE INC. AND SHALL NOT BE COPIED, REPRODUCED OR DISCLOSED WITHOUT THE WRITTEN APPROVAL OF BEL FUSE INC.

RoHS
2002/95/EC



MECHANICAL SPECIFICATION



RJ45 MECHCNICAL:

PLASTIC HOUSING: THERMOPLASTIC PBT
FLAMMABILITY RATING UL 94V-0
CONTACT PLATING: 30 MICRO-INCH HARD GOLD PLATING
PINS: TIN-COATED COPPER WIRE,
DIA 0.018 INCH.
METAL SHIELD: NICKEL PLATED ON COPPER ALLOY.
(ALL GROUND LEADS ARE SOLDER
DIPPED)

1 MARK PART WITH MFG LOGO, MFG NAME, PART NUMBER, DATE CODE AND PATENTED.

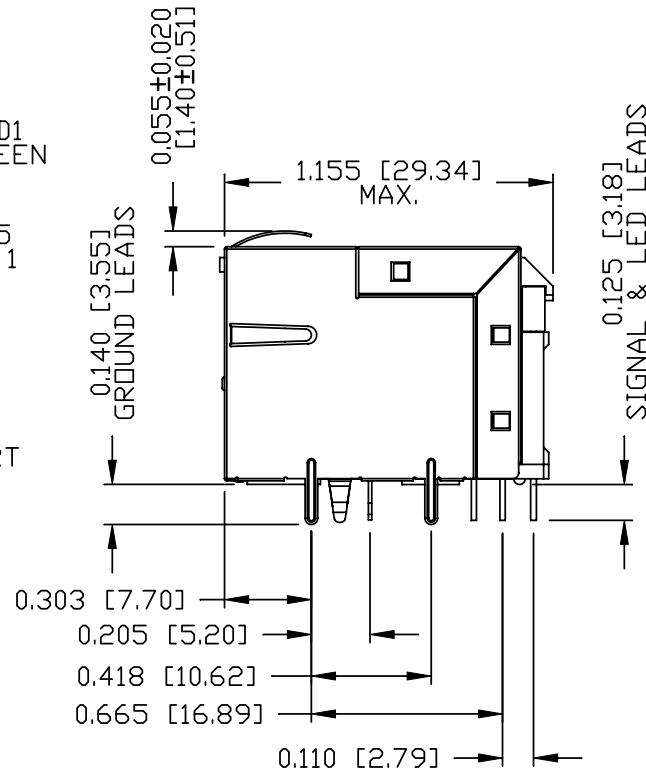
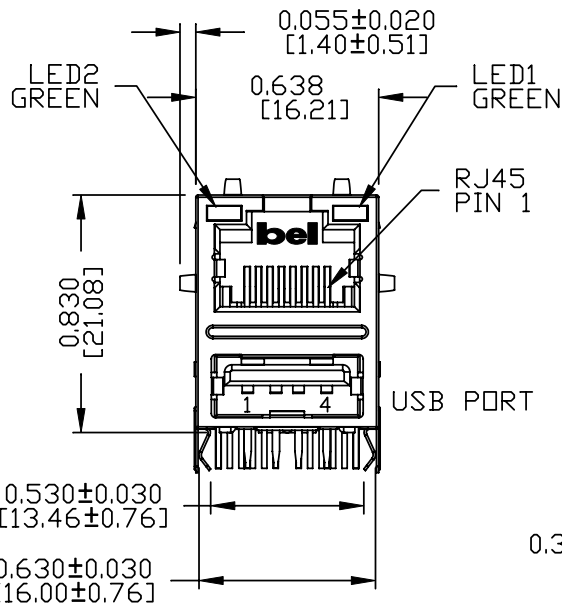
USB MECHANICAL:

MATING FORCE: 35 NEWTONS MAXIMUM
UNMATING FORCE: 10 NEWTONS MINIMUM
CONTACT: PROSPHER BRONZE
30 MICRO-INCH MIN GOLD PLATING
ON CONTACT AREA AND LEAD-FREE
TIN ON SOLDER TAIL.

RoHS COMPLIANCE, PER EU DIRECTIVE 2002/95/EC.

UL USUL RECOGNIZED - FILE #E196366 AND E169987.

2. THE PRODUCT IS PATENTED, THE PATENT NUMBER ARE
U.S. PAT. 5,736,910 AND U.S. PAT. 7,123,117.



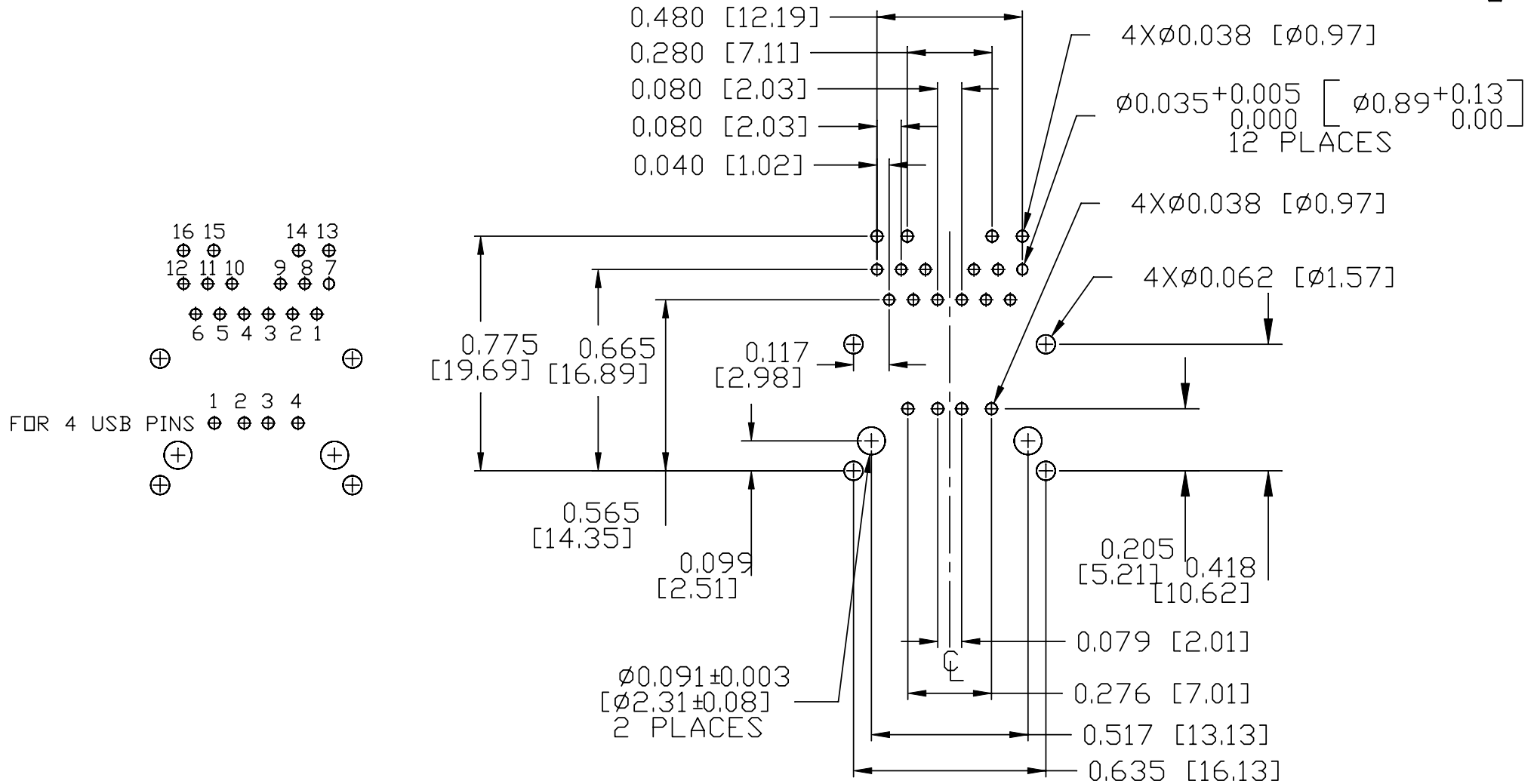
ORIGINATED BY	DATE	TITLE	PART NO. / DRAWING NO.	STANDARD DIM. TOL. IN INCH	[] METRIC DIM. AS REFERENCE	 COMPONENTS FOR A CONNECTED PLANET	
CHEN BILL	06-04-11	gigabit MagJack® Combo (single USB, 8 cores) 0821-1G1T-43-F PATENTED	08211G1T43-F	.X	UNIT : INCH [mm]		REV. : B
DRAWN BY	DATE		FILE NAME	.XX	SCALE : N/A		SIZE : A4
HE ZHEN	06-04-11	08211G1T43-F_B.DWG	.XXX	±0.010	 PAGE : 3		

THE INFORMATION CONTAINED HEREIN IS CONSIDERED "PROPRIETARY" TO BEL FUSE INC. AND SHALL NOT BE COPIED, REPRODUCED OR DISCLOSED WITHOUT THE WRITTEN APPROVAL OF BEL FUSE INC.

RoHS
2002/95/EC



RECOMMENDED PCB FOOTPRINT
COMPONENT SIDE VIEW



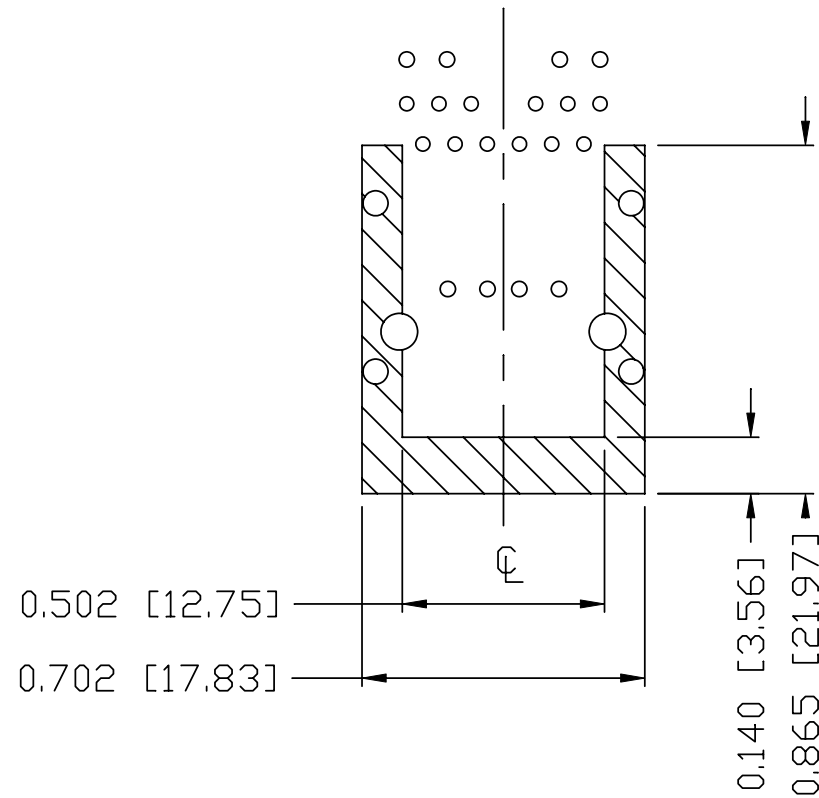
ORIGINATED BY CHEN BILL	DATE 06-04-11	TITLE gigabit MagJack® Combo (single USB, 8 cores) 0821-1G1T-43-F PATENTED	PART NO. / DRAWING NO. 08211G1T43-F	STANDARD DIM.		[] METRIC DIM. AS REFERENCE		REV. : B	bel COMPONENTS FOR A CONNECTED PLANET
				TOL. IN INCH		UNIT : INCH [mm]	SIZE : A4		
DRAWN BY HE ZHEN	DATE 06-04-11		FILE NAME 08211G1T43-F_B.DWG	.X	/	SCALE : N/A	PAGE : 4		
				.XX					
				.XXX	±0.004				

THE INFORMATION CONTAINED HEREIN IS CONSIDERED "PROPRIETARY" TO BEL FUSE INC. AND SHALL NOT BE COPIED, REPRODUCED OR DISCLOSED WITHOUT THE WRITTEN APPROVAL OF BEL FUSE INC.

RoHS
2002/95/EC



RECOMMENDED PCB FOOTPRINT
COMPONENT SIDE VIEW



NOTES

THE SHADED AREA ON THE CUSTOMER BOARD ARE RECOMMENDED TO BE CLEAR OFF ANY VIA HOLE OR COMPONENT PAD.

ORIGINATED BY CHEN BILL	DATE 06-04-11	TITLE gigabit MagJack® Combo (single USB, 8 cores) 0821-1G1T-43-F PATENTED	PART NO. / DRAWING NO. 08211G1T43-F	STANDARD DIM. TOL. IN INCH		[] METRIC DIM. AS REFERENCE	
				.X		UNIT : INCH [mm]	REV. : B
DRAWN BY HE ZHEN	DATE 06-04-11		FILE NAME 08211G1T43-F_B.DWG	.XX		SCALE : N/A	SIZE : A4
				.XXX	±0.004		PAGE : 5

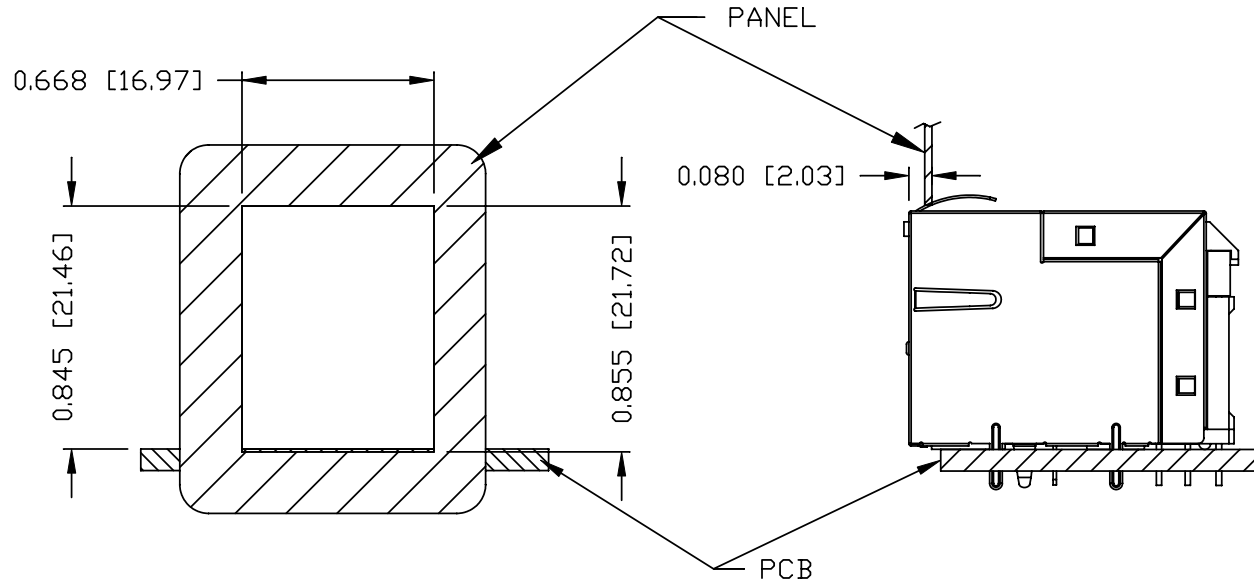


THE INFORMATION CONTAINED HEREIN IS CONSIDERED "PROPRIETARY" TO BEL FUSE INC. AND SHALL NOT BE COPIED, REPRODUCED OR DISCLOSED WITHOUT THE WRITTEN APPROVAL OF BEL FUSE INC.

RoHS
2002/95/EC



SUGGESTED PANEL OPENING



NOTES:

THE DISTANCE OF PANEL INSIDE SURFACE RELATIVE TO FRONT SURFACE OF PART IS ONLY A SUGGESTION. IN CASE THIS DISTANCE IS DIFFERENT, THE REQUIRED PANEL OPENING DIMENSIONS CHANGE ACCORDINGLY.

PACKING INFORMATION

PACKING TRAY : 0200-0148-48 (TOP)
0200-0148-49 (BOTTOM)

PACKING QUANTITY : 60 PCS FINISHED GOODS PER TRAY
8 TRAYS (480 PCS FINISHED GOODS) PER CARTON BOX

NOTE : CARDBOARDS ARE PLACED BETWEEN LAYERS OF PACKING TRAY INSIDE CARTON BOX
(INCLUDE THE UPPERMOST AND LOWERMOST TRAY)

ORIGINATED BY CHEN BILL	DATE 06-04-11	TITLE gigabit MagJack® Combo (single USB, 8 cores) 0821-1G1T-43-F PATENTED	PART NO. / DRAWING NO. 08211G1T43-F	STANDARD DIM. TOL. IN INCH		[] METRIC DIM. AS REFERENCE		REV. : B	 COMPONENTS ON A CONNECTED PLANET
				.X		UNIT : INCH [mm]	SCALE : N/A		
DRAWN BY HE ZHEN	DATE 06-04-11	FILE NAME 08211G1T43-F_B.DWG	.XX				SIZE : A4		
			.XXX	±0.004			PAGE : 6		