

NOTES

- MATERIALS :
HOUSING - LCP, GLASS FILLED, UL94-V0, COLOR: BLACK.
POWER PIN - COPPER ALLOY
- FINISHES:
TIN: 0.76 MICROMETER MINIMUM GOLD AT CONTACT AREA AND
2.54 MICROMETER MINIMUM TIN AT SOLDER TAIL AREA OVER
1.27um MINIMUM NICKEL UNDERPLATE.
- PRODUCT SPECIFICATION: PS-78231-006.
- COMPONENT STAY AWAY ZONE FROM CONNECTOR.
- PCB NOTE FOR PLATED HOLE.

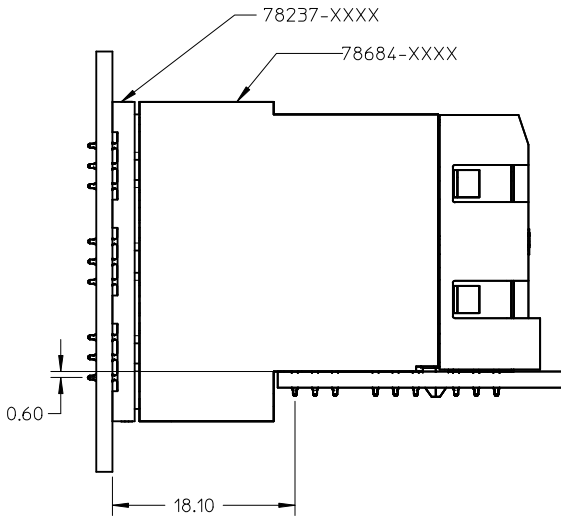
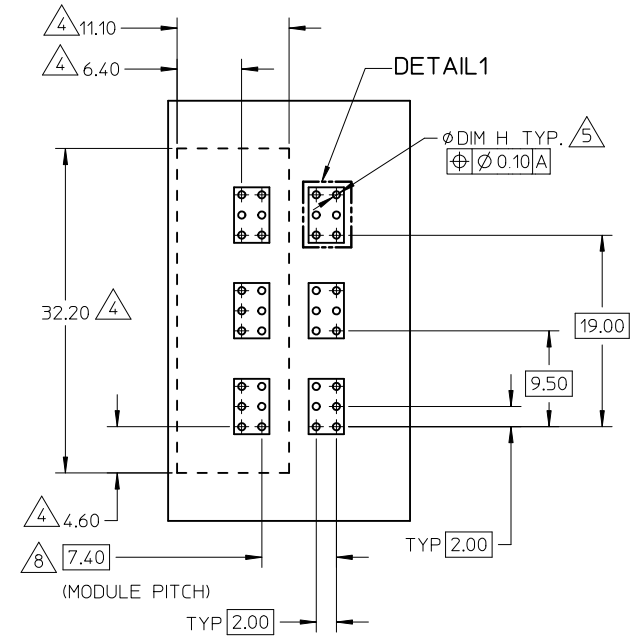
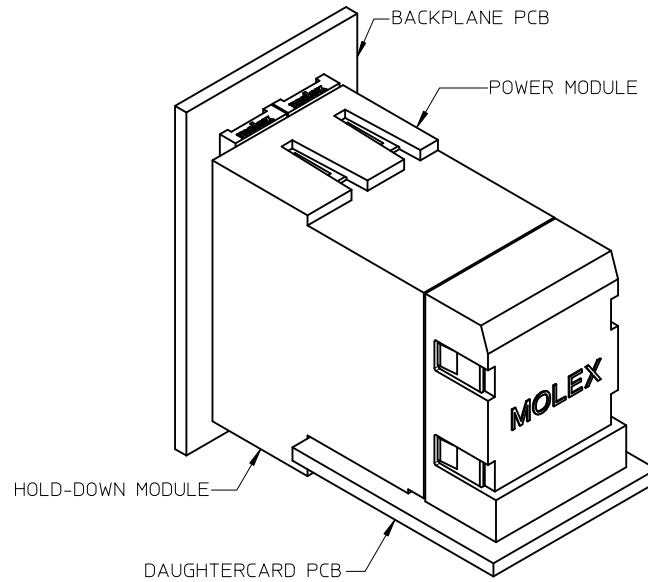
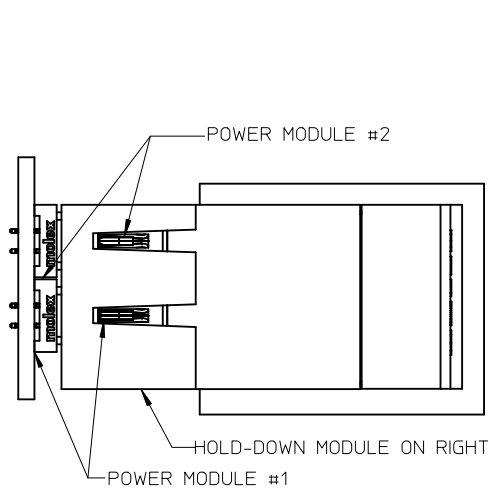
TYPE OF PLATED HOLE	DRILLED HOLE SIZE	PLATING THICKNESS	PLATED HOLE SIZE "ØDIM H"
TIN	0.838	0.007 MIN TIN/SILVER	0.725±0.075
SILVER	0.863	OVER 0.03 TO 0.08 COPPER PLATING	0.750±0.050

SEE SHEET 2 AND 3 FOR RECOMMENDED PCB LAYOUT.

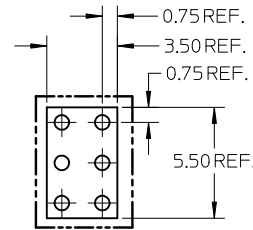
- MATES WITH 78684-****.
- PART NUMBER AND YY-DDD DATE CODE.
- ADD 7.40mm FOR EACH ADDITIONAL POWER MODULE.
- PACKAGING PROCEDURE AS PER PK-78237-001.

REMOVE PB/SN EC NO: S2012-0580 DRWN: SHONG CHYD: LNG APPR: NAGESHKN 2012/01/31 2012/02/13 2012/02/13	QUALITY SYMBOLS ▽=0 ◻=0	GENERAL TOLERANCES (UNLESS SPECIFIED) mm INCH 4 PLACES ± --- ± --- 3 PLACES ± --- ± --- 2 PLACES ± 0.25 ± --- 1 PLACE ± --- ± --- ANGULAR ± 3 °	DIMENSION STYLE MM ONLY DRAWN BY DATE LNG 2006/10/05 CHECKED BY DATE NRVITTPALLI 2006/10/27 APPROVED BY DATE NAGESHKN 2012/01/06	SCALE NTS DESIGN UNITS METRIC THIRD ANGLE PROJECTION	TITLE I-TRAC POWER, 15 ROW VERTICAL RECEPTACLE PRESS-FIT
	DESCRIPTION A1	DRAFT WHERE APPLICABLE MUST REMAIN WITHIN DIMENSIONS	MATERIAL NO. 78237-1001	MOLEX INCORPORATED DOCUMENT NO. SD-78237-011	SHEET NO. 1 OF 3
	THIS DRAWING CONTAINS INFORMATION THAT IS PROPRIETARY TO MOLEX INCORPORATED AND SHOULD NOT BE USED WITHOUT WRITTEN PERMISSION				
	SIZE A3				

MATED DIMENSIONS AND PCB LAYOUT WITH HEADER HOLD DOWN RIGHT



MATED SYSTEM FOR 78237 & 78239



DETAIL 1
COPPER PAD REFERENCE



PCB LAYOUT
(MATED WITH HEADER HOLD DOWN MODULE RIGHT)
COMPONENT SIDE SHOWN

REMOVE PB/SN EC NO: S2012-0580 DRWN: SHONG CHKD: LNG APPR: NAGESHKN	DESCRIPTION REV	QUALITY SYMBOLS ▽=0 ◻=0	GENERAL TOLERANCES (UNLESS SPECIFIED)		DIMENSION STYLE MM ONLY		SCALE NTS	DESIGN UNITS METRIC	THIRD ANGLE PROJECTION		
			mm	INCH	DRAWN BY LNG	DATE 2006/10/05	TITLE I-TRAC POWER, 15 ROW VERTICAL RECEPTACLE PRESS-FIT				
			4 PLACES ± --- ± ---	3 PLACES ± --- ± ---	CHECKED BY NRVITTAPELLI	DATE 2006/10/27	MOLEX INCORPORATED				
			2 PLACES ± 0.25 ± ---	1 PLACE ± --- ± ---	APPROVED BY NAGESHKN	DATE 2012/01/06	DOCUMENT NO. SD-78237-011		SHEET NO. 3 OF 3		
A1			DRAFT WHERE APPLICABLE MUST REMAIN WITHIN DIMENSIONS		SIZE A3	THIS DRAWING CONTAINS INFORMATION THAT IS PROPRIETARY TO MOLEX INCORPORATED AND SHOULD NOT BE USED WITHOUT WRITTEN PERMISSION					