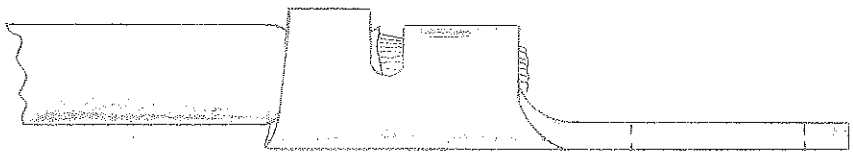
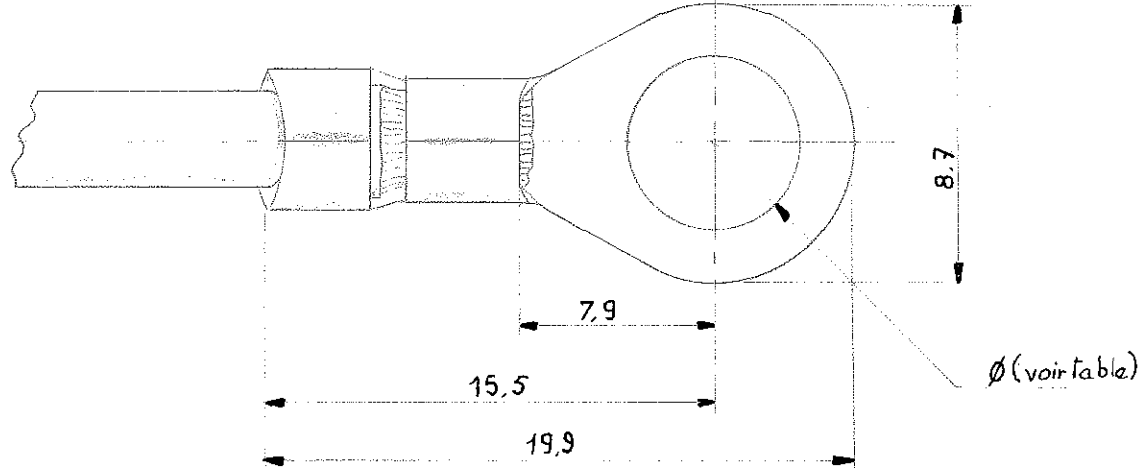


DIMENSIONS IN MM —DO NOT SCALE PRINT

NUMBER
C-140527-32



2,5 à 3,5

A - LAITON
A2 - LAITON ETAME

OBSOLETE	140854.2	A2	6,75
OBSOLETE	140854.1	A	6,75
OBSOLETE	140 546	A2	6,35
OBSOLETE	140 545	A	6,35
OBSOLETE	140 532	A2	5,2
OBSOLETE	140 531	A	5,2
OBSOLETE	140 530	A2	4,3
OBSOLETE	140 529	A	4,3
OBSOLETE	140 528	A2	3,1
OBSOLETE	140 527	A	3,1
	N ^{os}	MAT	"D"

<p>CUSTOMER PRINT FOR REFERENCE ONLY</p> <p>©1959 BY AMP INCORPORATED. ALL RIGHTS RESERVED. AMP PRODUCTS COVERED BY PATENTS AND/OR PATENTS PENDING.</p>	-9 -8 -7 -6 -5 -4 -3 -2 -1	DWG SIZE	NUMBER	NAME	REMARKS	ITEM NO.					
	REQUIRED PER ASSEMBLY	MATERIAL Laiton epaisseur 0,6mm		HEAT TREAT		FINISH					
	<p>AMP DE FRANCE</p>		DR. Raymond	DATE 12-7-60	APP.	DATE REL	DATE				
			CHK. Coudray	DATE 12-7-60	APP.	DATE FIRST USED					
DESCRIPTION		SCALE	WIRE SIZE 18-14	mm ² MAX. 2 MIN. 0,8	NAME	TYPE Auto.	PRINT DIST	LOC	SIZE A	NUMBER C-140527-32	REV C
RING TONGUE											

DIFF. 46