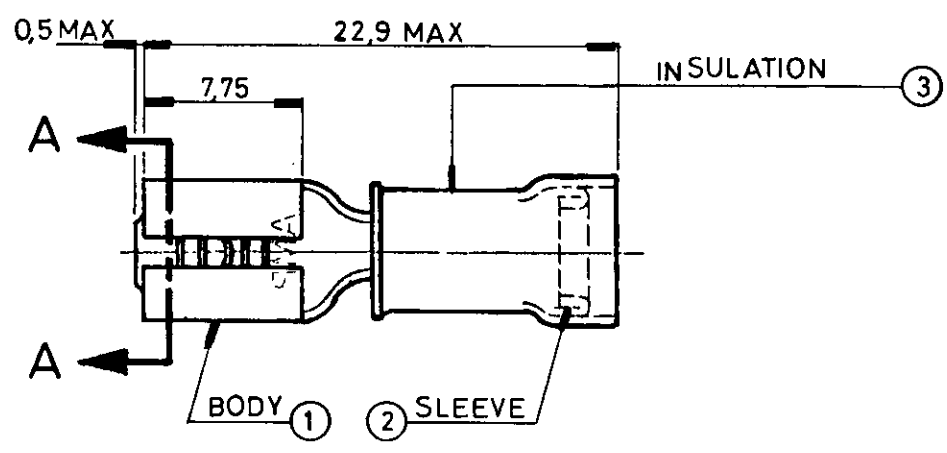


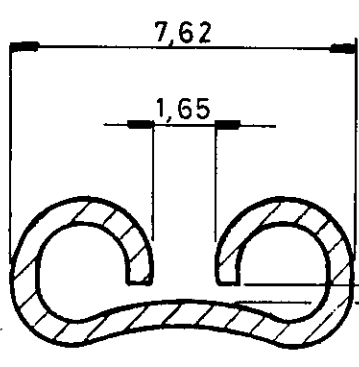
DWG N°  
PLANO N° C-42599

THIS INFORMATION IS CONFIDENTIAL AND IS DISCLOSED TO YOU ON THE CONDITION THAT NO FURTHER DISCLOSURE IS MADE BY YOU TO ANY OTHER THAN AMP PERSONNEL WITHOUT WRITTEN AUTHORIZATION FROM AMP S.A. ARGENTINA

ESTA INFORMACION ES CONFIDENCIAL Y ES ENTREGADA A USTED A CONDICION QUE LA COMPAÑIA SUSCRIBIDA NO NEESESAVIO SINO CON SU PRESENCIA Y SIN SU ASESORAMIENTO HAYA AUTORIZACION ESCRITA DE AMP S.A. ARGENTINA



SECTION "A-A"  
ROTATED 90°



CUSTOMER DWG  
REF. ONLY

LOC	AN	42599-2		3	PVC, RED COLOR	1
DIST				2	COPPER, TIN PLATED	1
				1	BRASS, TIN PLATED	1
		P/N	ITEM	MATERIAL		QTY
				DWN / DIBUJO M. JARA May '95		CHK / CONTROLO MAY 95
				APVD / APROBO		
				DIMENSIONS MEDIDAS mm		
				TOLERANCES UNLESS OTHERWISE SPECIFIED TOLERANCIAS SALVO OTRA INDICACION.		
				0 PLC / LUG 1 1 PLC / LUG 1 2 PLC / LUG 2 3 PLC / LUG 2 4 PLC / LUG 2		
				TOL. GRAL ±0,2		
				ANGLE PROJECTION ANGULO DE PROJ		
				SURFACE TEXTURE RUGOSIDAD SUPERF.		
				SCALE / ESCALA		
				SIZE / TALL		
				DRAWING N° / PLANO N°		
				SHEET / HOJA		
				REV		
				RESPONSIB. OF AMP ARGENTINA		
				DATE / FECHA		
				DWN / DIB		
				APVD / APR		
				THIS DRAWING IS A CONTROLLED DOCUMENT FOR AMP S.A. ARGENTINA IT IS SUBJECT TO CHANGE AND THE CONTROLLING ENGINEERING DEPARTMENT SHOULD BE CONTACTED FOR THE LATEST REVISION ESTE PLANO ES UN DOCUMENTO CONTROLADO POR AMP S.A. ARGENTINA. ESTA SUJETO A CAMBIOS Y HAY QUE CONTACTAR AL DEPT. DE INGENIERIA POR LA ULTIMA REVISION.		
				AMP S.A. ARGENTINA C.I.Y.F.		
				NAME / NOMBRE		
				RECEPTACLE PIDG 22-18 FASTON		
				SHEET / HOJA		
				REV		
				N.T.S.		
				A4		
				C-42599		
				1 OF 1		
				Y		